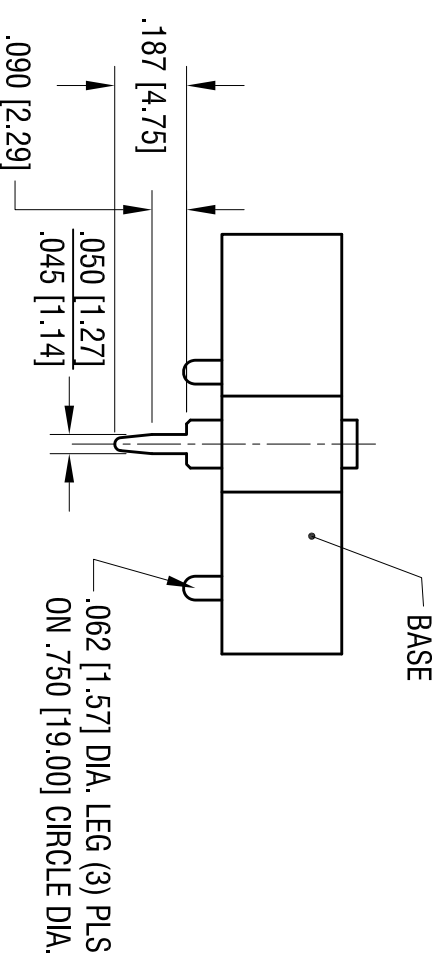
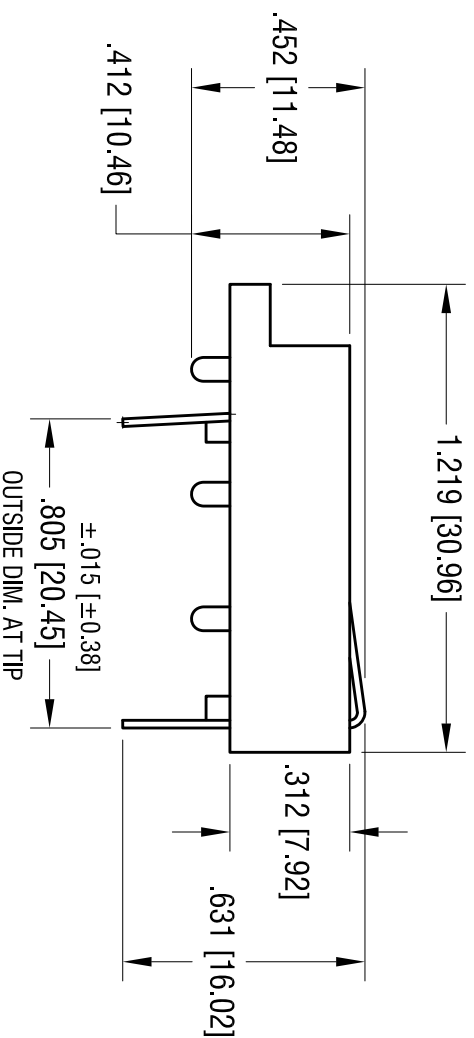
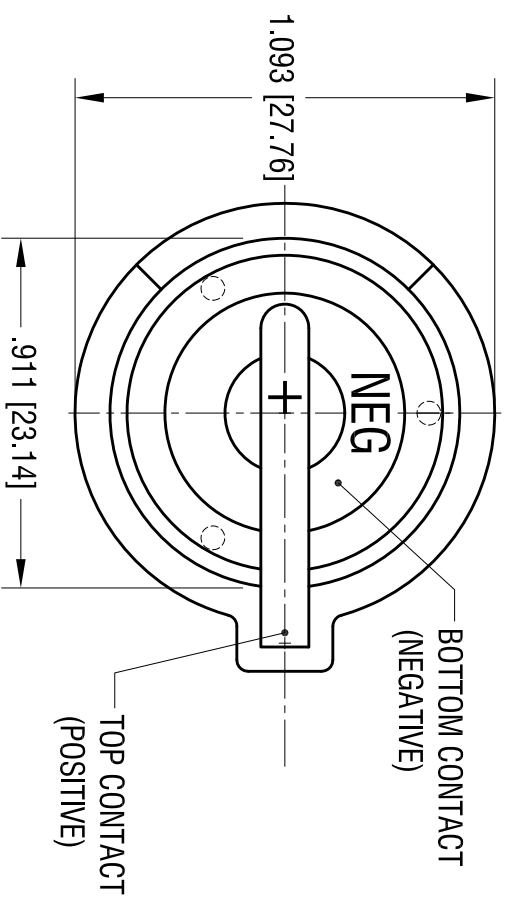
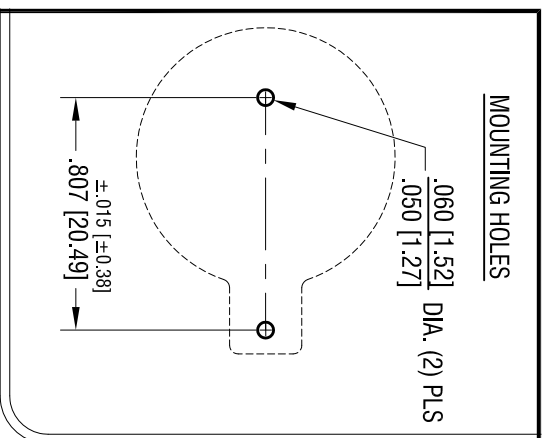
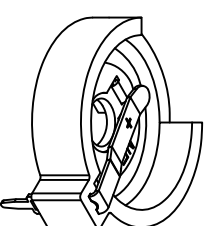


DATE	DESCRIPTION	REV.
9.20.04	CHANGE AS PER ECN 04-117	D
11.02.11	CHANGE AS PER ECN 11-145	E
1.29.21	CHANGE AS PER ECN 21-010	F



- NOTES:  
 1. BASE:  
 MAT'L - PBT (UL 94V-0), COLOR BLACK  
 2. CONTACTS (TOP AND BOTTOM):  
 MAT'L - .020 [0.50] THK SPRING STEEL  
 FINISH: TIN NICKEL PLATE



**KEYSTONE ELECTRONICS CORP.**

www.keystone.com • NEW HYDE PARK, NY 11040 • Tel (516) 328-7500

PART NAME

DUAL BATTERY HOLDER

MATERIAL

AS NOTED

FINISH

AS NOTED

THIS DOCUMENT IS THE PROPERTY OF KEYSTONE ELECTRONICS CORP. AND SHALL NOT BE REPRODUCED, DISTRIBUTED OR USED AS A BASIS FOR MANUFACTURE WITHOUT PRIOR WRITTEN PERMISSION FROM KEYSTONE ELECTRONICS CORP.

TOLERANCES	INCH	[MM]	CODE	DWG NO.
DECIMAL	± .010	[± 0.25]	C	1027
ANGULAR	± 1°			

DRN BY	DATE
BOONE	8.15.84
APP'D	SCALE
LN	2X