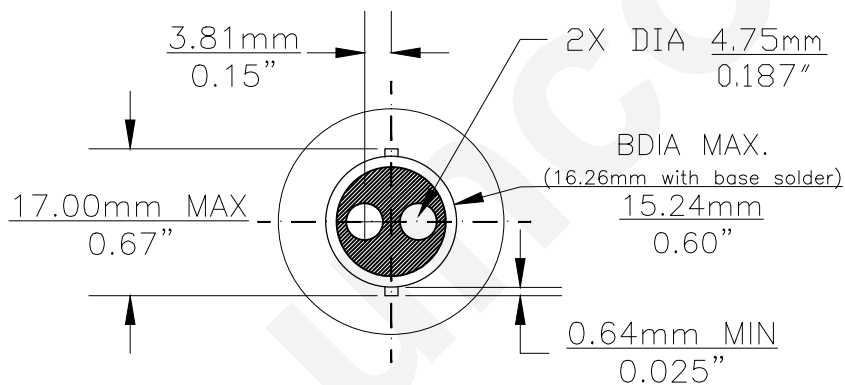
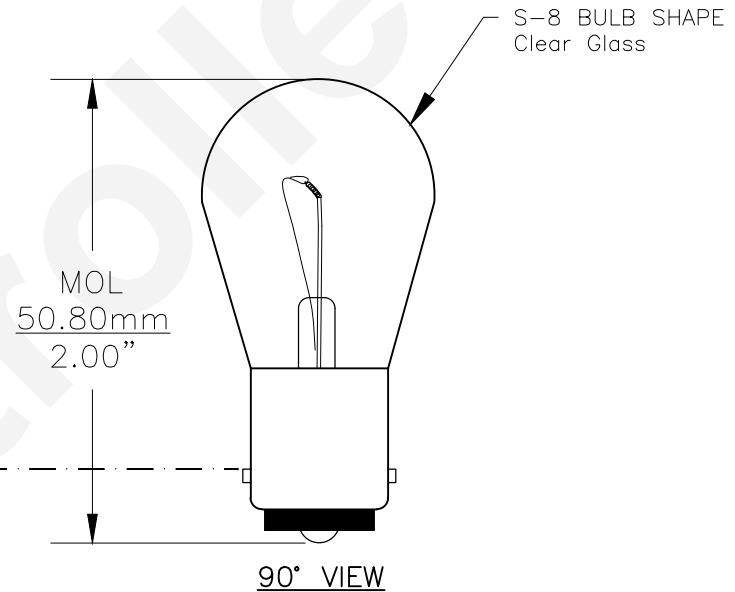
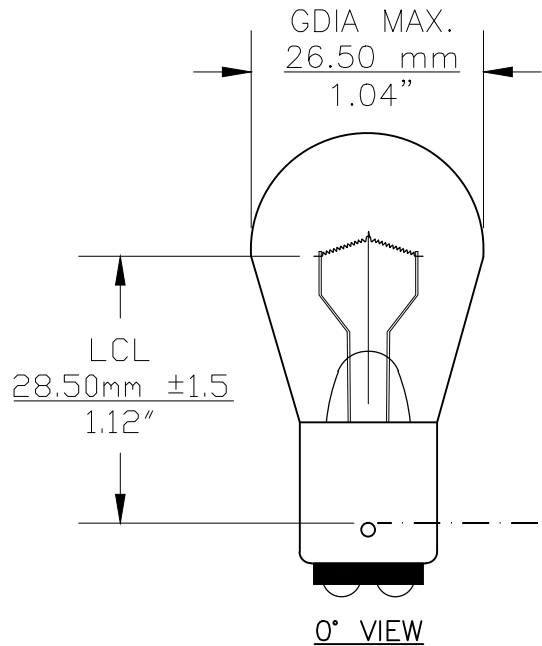




PART NO.	BASE TYPE	DESIGN VOLTS	DESIGN AMPS	MSCD	FILAMENT TYPE	AVERAGE LIFE HOURS	REVISIONS			
							REV #	DESCRIPTION	DATE	APPROVED
1204	D.C. BAYONET (BA15d)	28.0V	0.71±10%	21±15%	C-2V	400	1	ISSUED	10/24/2014	R.M.



Note: Made according to SAE specifications

UNLESS OTHERWISE SPECIFIED: DIMENSIONS ARE IN INCHES TOLERANCES		CEC INDUSTRIES LTD			
DECIMALS .XX ± .05		599 BOND STREET		LINCOLNSHIRE, IL 60069	
ANGULAR .XXX ± .010		TITLE LIGHT BULB NO. 1204			
FRACTIONAL ±1/64		DATE 10/24/2014		DWG NO. 1204	
DRAWN ROSE MEDINA		SIZE A	FSCM NO.	REV 1	
CHECKED		SCALE	PLOT SCALE	SHEET 1 OF 1	
DESIGN		FILE 1204.pdf		DRAWING NOT TO SCALE	
MATERIAL					