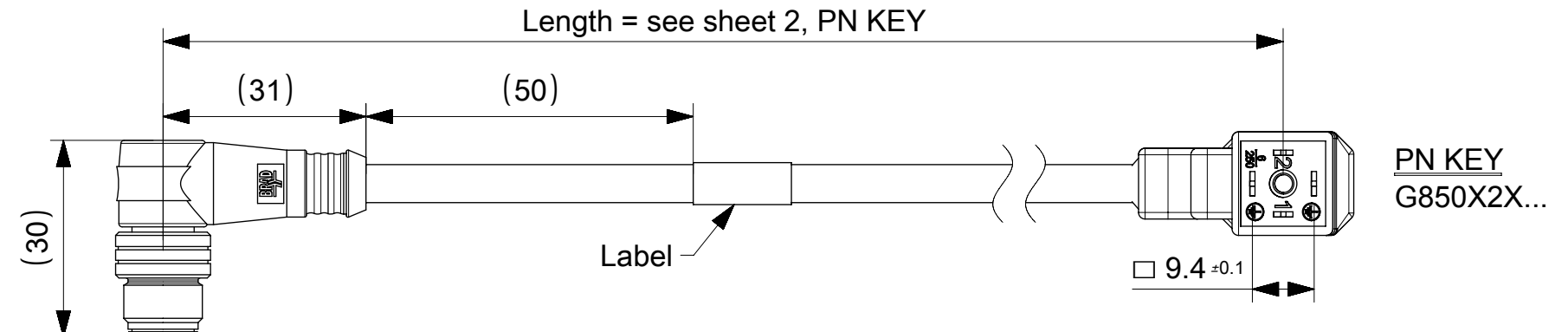
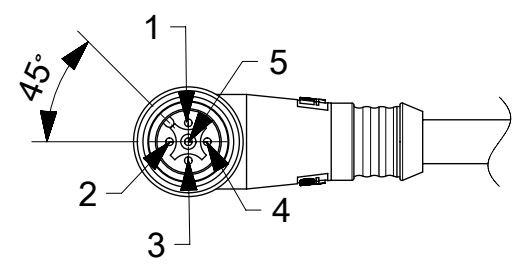
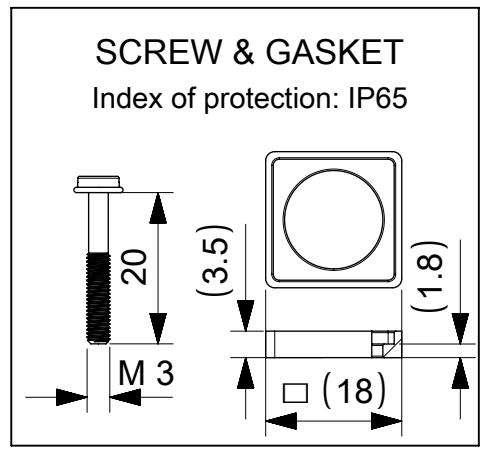


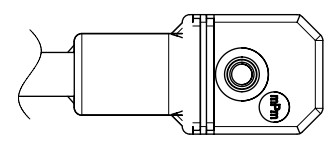
PN KEY
G850X0X...



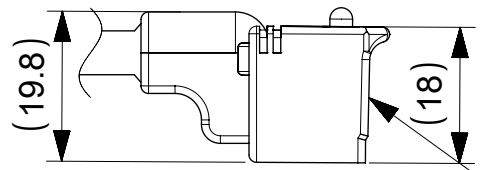
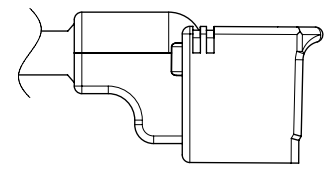
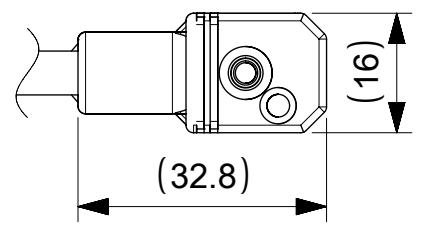
PN KEY
G850X2X...



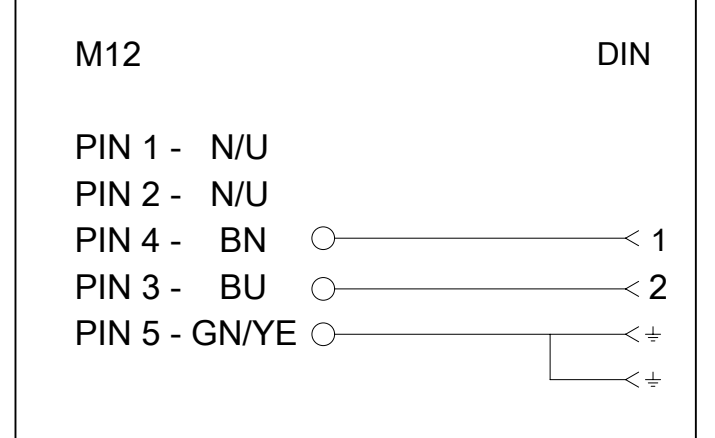
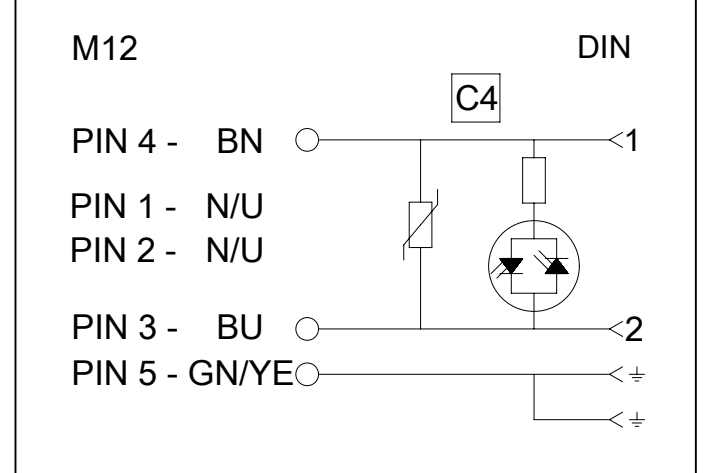
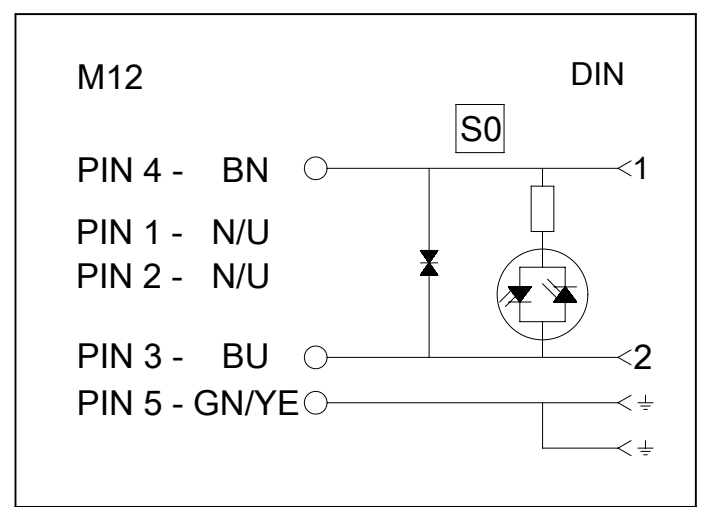
DIN Connector views
for PNs without LED



DIN Connector views
for PNs with LED



ELECTRICAL DIAGRAMS



BILL OF MATERIALS

ITEM	QTY.	DESCRIPTION
12	0/2	I/D CARRIER
11	0/1	PCB
10	1	GASKET
9	1	SCREW
8	4	CONTACT DIN
7	1	INSERT DIN MICRO
6	-	MOULDING MATERIAL PP
5	5	CONTACT MALE
4	1	M12 COUPLING NUT MALE
3	1	M12 INSERT 5P MALE
2	-	MOULDING MATERIAL TPU
1	-	CABLE

RELEASE STATUS: P1 | RELEASE DATE: 31.10.2017 07:50:26

Electrical diagram & mPm logo printed in white

THIS DRAWING CONTAINS INFORMATION THAT IS PROPRIETARY TO MOLEX ELECTRONIC TECHNOLOGIES, LLC AND SHOULD NOT BE USED WITHOUT WRITTEN PERMISSION

QUALITY SYMBOLS A = 0 E = 0 F = 0 G = 0 H = 0 I = 0 J = 0 K = 0 L = 0 M = 0 N = 0 O = 0	EC NO.: 167233 DRWN: APAWLAK01 CHK'D: MIWASIECZKO APPR: MIWASIECZKO	2017/10/18 2017/10/31	GENERAL TOLERANCES (UNLESS SPECIFIED) ANGULAR TOL ± ° 4 PLACES ± 3 PLACES ± 2 PLACES ± 1 PLACE ± 0 PLACES ±	DIMENSION UNITS: mm SCALE: 1:1 DRWN BY: APAWLAK01 DATE: 2017/10/18 CHK'D BY: MIWASIECZKO DATE: 2017/10/31 APPR BY: MIWASIECZKO DATE: 2017/10/31	 G850 DIN MICRO / MMC 5P MM PRODUCT CUSTOMER DRAWING SERIES: 121036 MATERIAL NUMBER: SEE 1210360510 PDP CUSTOMER: GENERAL MARKET DOCUMENT NUMBER: 1210360510 DOC TYPE: PSD DOC PART: 000 SHEET NUMBER: 1 OF 2
	DRAFT WHERE APPLICABLE MUST REMAIN WITHIN DIMENSIONS	DRAWING SIZE: A3 THIRD ANGLE PROJECTION			

ENGINEERING NO. - NUMERICAL CODE (Available parts see PART LIST table. Others parts available upon request).

OPTIONS

G 8 5 0 X X X X X X X X X X

G=Form Micro (9.4mm contact spacing)

8=MMC M12 Connector

5=5 Poles

0=Default Standard Wiring

Cable type: See Table

Units: M=Meter

Length Examples:
005=0.5 units
010=1 units
100=10 units

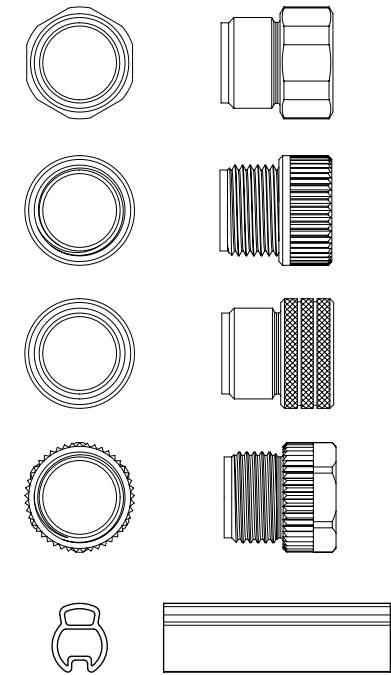
Electrical configuration:
0 = Without circuit
A = S0 24V Yellow LED
B = C4 24V Yellow LED
C = S0 110V Yellow LED
D = C4 110V Yellow LED
E = S0 24V Green LED
F = C4 24V Green LED
G = S0 110V Green LED
H = C4 110V Green LED
J = S0 24V Red LED
K = C4 24V Red LED
L = S0 110V Red LED
M = C4 110V Red LED
S = C4 230V Yellow LED

DIN Earth Position - o'clock & M12 connector body:
0 = Earth H6/H12, Male Straight
2 = Earth H6/H12, Male Right Angle

Overmold color:
Blank (Standard)=Black
A=Grey / G=Black / Y=Yellow

Coupling Nut:
Blank (Standard)=Knurled Brass Ni Plated
1=Hexagonal Stainless steel
5=Knurled Derlin
7=Knurled Brass Ni Plated, Teflon Coated
9=Knurled / Hexagonal Brass Ni Plated

H= 2 pcs. of I/D Carrier PVC Transparent (Cables Ixx & P82 always with 2 pcs. I/D Carrier)



CABLE TYPE	NO. OF WIRES	CROSS SECTION	CABLE JACKET	UL	CSA	STATIC: TEMP. / BENDING RADIUS	DYNAMIC: TEMP. / BENDING RADIUS	SHIELD
A58	3	20AWG	PVC BLACK	UL 2661	C22.2 II A 105°C/300V	-30°C to +105°C, 10xO.D.	-5°C to +105°C, 15xO.D.	-
B31	3	0.50mm ²	WSOR BLACK	UL 21215	-	-	-25°C to +80°C, 7.5xO.D.	-
E03	3	0.34mm ²	PVC BLACK	UL 2464	CSA C22.2	-30°C to +80°C, 10xO.D.	-10°C to +80°C, 15xO.D.	-
E12	3	0.50mm ²	PVC BLACK	-	-	-20°C to +70°C, 3xO.D.	-15°C to +70°C, 5xO.D.	-
I12	3	0.50mm ²	CEI PVC GREY	-	-	-25°C to +70°C, 10xO.D.	-5°C to +70°C, 15xO.D.	-
P12	3	0.50mm ²	PUR BLACK	-	-	-40°C to +90°C, 7.5xO.D.	-15°C to +90°C, 12.5xO.D.	-

Over	Up to and including	Tolerance
0	1000	±20
1000	3000	±30
3000	5000	±40
5000	10000	±50
10000	15000	±100
15000	20000	±150
20000		±L/100

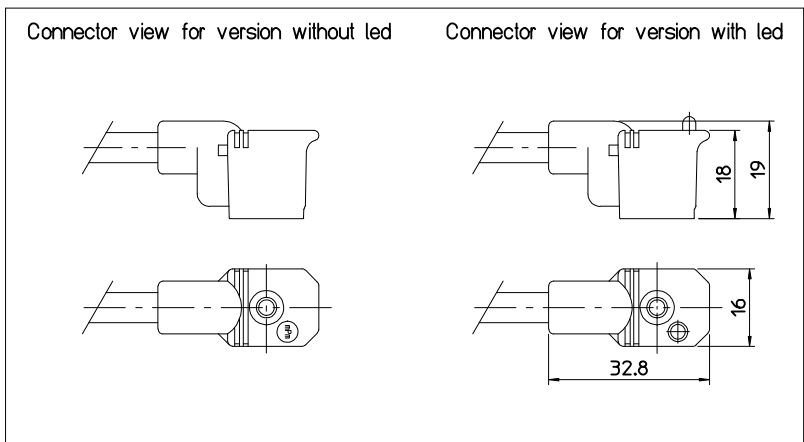
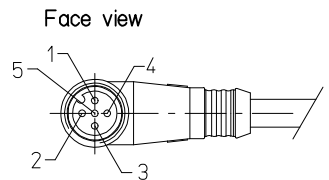
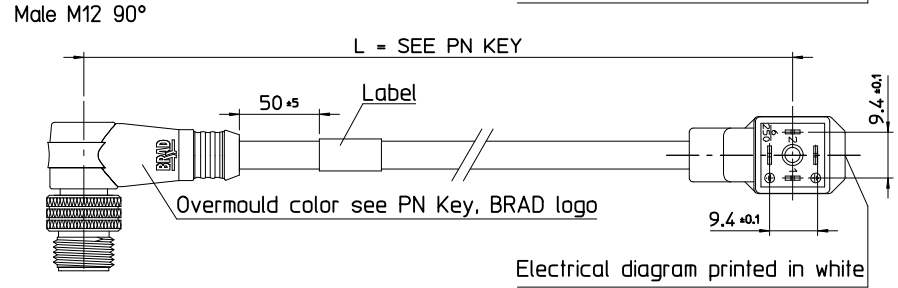
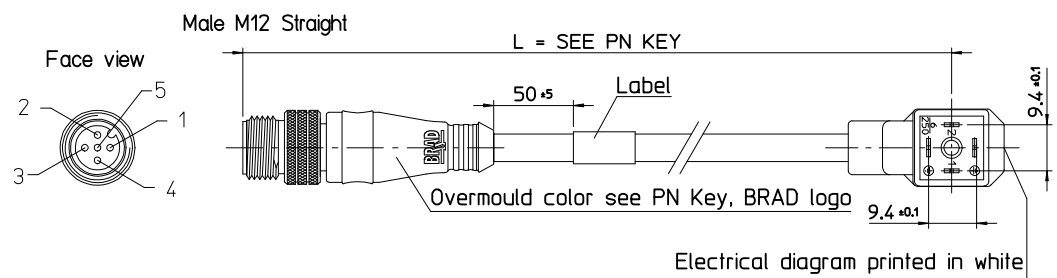
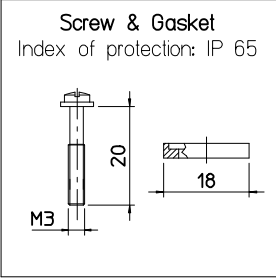
- Notes:
- Please see excel sheet 1210360510_PDP for currently configured part numbers.
 - Drawing is a replacement for SD-121036-003

RELEASE STATUS P1 RELEASE DATE 31.10.2017 07:50:26

QUALITY SYMBOLS FA = 0 FE = 0 FB = 0 ▼ = 0 C = 0 ⊗ = 0 ■ = 0 ∇ = 0	THIS DRAWING CONTAINS INFORMATION THAT IS PROPRIETARY TO MOLEX ELECTRONIC TECHNOLOGIES, LLC AND SHOULD NOT BE USED WITHOUT WRITTEN PERMISSION		DIMENSION UNITS: mm SCALE: 1:1		
	EC NO: 167233 DRWN: APAWLAK01 CHK'D: MIWASIECZKO APPR: MIWASIECZKO	2017/10/18 2017/10/31	GENERAL TOLERANCES (UNLESS SPECIFIED) ANGULAR TOL ± ° 4 PLACES ± 3 PLACES ± 2 PLACES ± 1 PLACE ± 0 PLACES ±		
DRAFT WHERE APPLICABLE MUST REMAIN WITHIN DIMENSIONS			DRAWING SIZE: A3 THIRD ANGLE PROJECTION	PRODUCT CUSTOMER DRAWING	
SERIES: 121036 MATERIAL NUMBER: SEE 1210360510 PDP CUSTOMER: GENERAL MARKET		DOCUMENT NUMBER: 1210360510 DOC TYPE: PSD DOC PART: 000 SHEET NUMBER: 2 OF 2			

Table of length tolerances [mm]

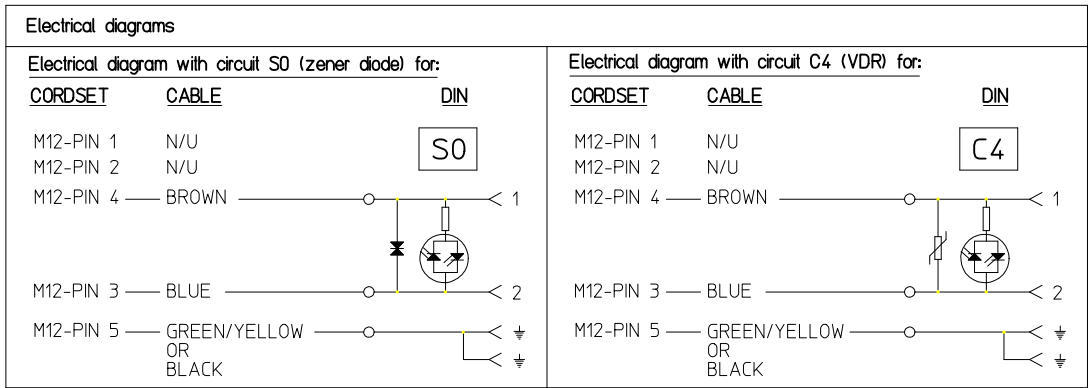
Over	Up to and including	Tolerance
0	1000	±20
1000	3000	±30
3000	5000	±40
5000	10000	±50
10000	15000	±100
15000	20000	±150
20000		±L/100



PART No MATRIX - PN KEY

G	8	5	X	X	X	X	X	X	X	X	X	X	X	X
IG = Form Micro (9,4mm contact spacing)	8 = MMC Single Keyway	5=5 Pole	Wiring details: 0 = Positive Switching (pin 3&4) 1 = Negative Switching (pin 1&4)				XXX = Cable Type				M = Metres F = Feet	Length: 020-2 Meters 050-5 Meters 200-20 Meters	Options: H=H/D Carrier M12 Overmoulding color: Blank-Black Standard Y=Yellow A=Grey	Electrical configuration: 0 = Without LED/Without circuit A = S0 24V Yellow LED B = C4 24V Yellow LED C = S0 110V Yellow LED D = C4 110V Yellow LED E = S0 24V Green LED F = C4 24V Green LED G = S0 110V Green LED H = C4 110V Green LED J = S0 24V Red LED K = C4 24V Red LED L = S0 110V Red LED M = C4 110V Red LED S = C4 230V Yellow LED
DIN Earth Position - o'clock & M12 connector body: 0 = Earth H6/H12, MALE Straight 2 = Earth H6/H12, MALE 90°												Coupling Nut Material: Blank-Standard 1=Stainless Steel 5=Delrin 7-Teflon coat		

ADD CABLE B31 EC NO: IFG2014-0850 DRWN: JMARSZALEK 2013/11/07 CHKD: MSZWAJKOWSKI 2013/11/07 APPR: MIWASIECZKO 2013/11/08	QUALITY SYMBOLS ▽=0 ▽=0	GENERAL TOLERANCES (UNLESS SPECIFIED)		DIMENSION STYLE MM ONLY		SCALE	DESIGN UNITS	FIRST ANGLE PROJECTION	
		4 PLACES ± --- ± --- 3 PLACES ± --- ± --- 2 PLACES ± --- ± --- 1 PLACE ± --- ± --- 0 PLACE ± --- ± ---		DRAWN BY DATE JMARSZALEK 2012/11/20		TITLE	G85XXXXXXXXXX DIN MICRO + CORDSETS M12		
		ANGULAR ± --- °		CHECKED BY DATE MSZWAJKOWSKI 2012/11/20		molex			
		DRAFT WHERE APPLICABLE MUST REMAIN WITHIN DIMENSIONS		APPROVED BY DATE MIWASIECZKO 2013/11/08					DOCUMENT NO.
				MATERIAL NO. SEE SHEET 3					SHEET NO. 1 OF 3



Cable type

Cable Type	Jacket Material	Jacket Color	Wire cross section	Braid
A58	PVC	Black	20AWG	no
E03	PVC	Black	0.34mm ²	no
E12	PVC	Black	0.5mm ²	no
I12	CEI PVC	Grey	0.5mm ²	no
P12	PUR	Black	0.5mm ²	no
B31	PUR	Black	0.5mm ²	no

ADD CABLE B31 EC NO: IPG2014-0850 DRWN: JMARSZALEK 2013/11/07 CHKD: MSZWAJKOWSKI 2013/11/07 APPR: MIWASIECZKO 2013/11/08	QUALITY SYMBOLS	GENERAL TOLERANCES (UNLESS SPECIFIED)	DIMENSION STYLE	SCALE	DESIGN UNITS	FIRST ANGLE PROJECTION	
	=0 =0	mm INCH 4 PLACES ± --- ± --- 3 PLACES ± --- ± --- 2 PLACES ± --- ± --- 1 PLACE ± --- ± --- 0 PLACE ± --- ± ---	MM ONLY	1:1	METRIC		
	DESCRIPTION	ANGULAR ± --- °	DRAWN BY	DATE	TITLE	G85XXXXXXXXXX DIN MICRO + CORDSETS M12	
	REV	DRAFT WHERE APPLICABLE MUST REMAIN WITHIN DIMENSIONS	CHECKED BY	DATE	APPROVED BY	DATE	
	B		MIWASIECZKO	2013/11/08	SEE SHEET 3		
		MATERIAL NO.	DOCUMENT NO.	SD-121036-003		SHEET NO. 2 OF 3	
		THIS DRAWING CONTAINS INFORMATION THAT IS PROPRIETARY TO MOLEX INCORPORATED AND SHOULD NOT BE USED WITHOUT WRITTEN PERMISSION					

10			9			8			7			6			5			4			3			2			1		
Pos.	Molex PN:	Engineering No.:	Pos.	Molex PN:	Engineering No.:	Pos.	Molex PN:	Engineering No.:	Pos.	Molex PN:	Engineering No.:	Pos.	Molex PN:	Engineering No.:	Pos.	Molex PN:	Engineering No.:	Pos.	Molex PN:	Engineering No.:	Pos.	Molex PN:	Engineering No.:	Pos.	Molex PN:	Engineering No.:	Pos.	Molex PN:	Engineering No.:
1	1210350160	G85000E12M006	41	1210360915	G850B2B31M015	81			121			161																	
2	1210350163	G85000E12M050	42	1210360916	G850B2B31M030	82			122			162																	
3	1210350168	G85000P12M006	43			83			123			163																	
4	1210350220	G85000E12M030	44			84			124			164																	
5	1210350221	G85002E12M003	45			85			125			165																	
6	1210350270	G850B2P12M030	46			86			126			166																	
7	1210360271	G850B0112M003	47			87			127			167																	
8	1210360272	G850B0112M006	48			88			128			168																	
9	1210360273	G850B0112M010	49			89			129			169																	
10	1210360277	G850B0P12M010	50			90			130			170																	
11	1210360406	G850B0P12M006	51			91			131			171																	
12	1210360439	G850B0E03M005	52			92			132			172																	
13	1210360473	G850B0E12M003	53			93			133			173																	
14	1210360475	G850B0E12M010	54			94			134			174																	
15	1210360476	G850B0E12M020	55			95			135			175																	
16	1210360477	G850B0E12M030	56			96			136			176																	
17	1210360478	G850B0E12M040	57			97			137			177																	
18	1210360480	G850B0E12M050G	58			98			138			178																	
19	1210360481	G850B0P12M030	59			99			139			179																	
20	1210360482	G850B2E12M003	60			100			140			180																	
21	1210360508	G850A0A58M020	61			101			141			181																	
22	1210360509	G850B0E12M006	62			102			142			182																	
23	1210360510	G850B2A58M003	63			103			143			183																	
24	1210360511	G850B2A58M006	64			104			144			184																	
25	1210360573	G850A0A58M050	65			105			145			185																	
26	1210360621	G850B2P12M010	66			106			146			186																	
27	1210360649	G850B0P12M020	67			107			147			187																	
28	1210360695	G850A0A58M010	68			108			148			188																	
29	1210360752	G850B0A58M010	69			109			149			189																	
30	1210360766	G850B0E03M020H	70			110			150			190																	
31	1210360808	G850A0A58M006	71			111			151			191																	
32	1210360835	G850B0P12M015	72			112			152			192																	
33	1210360836	G850B2P12M006	73			113			153			193																	
34	1210360837	G850B2P12M015	74			114			154			194																	
35	1210360909	G850B0B31M006	75			115			155			195																	
36	1210360910	G850B0B31M010	76			116			156			196																	
37	1210360911	G850B0B31M015	77			117			157			197																	
38	1210360912	G850B0B31M030	78			118			158			198																	
39	1210360913	G850B2B31M006	79			119			159			199																	
40	1210360914	G850B2B31M010	80			120			160			200																	

ADD NEW PN'S EC NO: IPG2014-0850 DRWN: JMARSZALEK 2013/11/07 CHKD: MSZWAJKOWSKI 2013/11/07 APPR: MIWASIECZKO 2013/11/08	QUALITY SYMBOLS	GENERAL TOLERANCES (UNLESS SPECIFIED) <table border="1"> <thead> <tr> <th></th> <th>mm</th> <th>INCH</th> </tr> </thead> <tbody> <tr> <td>4 PLACES</td> <td>± ---</td> <td>± ---</td> </tr> <tr> <td>3 PLACES</td> <td>± ---</td> <td>± ---</td> </tr> <tr> <td>2 PLACES</td> <td>± ---</td> <td>± ---</td> </tr> <tr> <td>1 PLACE</td> <td>± ---</td> <td>± ---</td> </tr> <tr> <td>0 PLACE</td> <td>± ---</td> <td>± ---</td> </tr> </tbody> </table>		mm	INCH	4 PLACES	± ---	± ---	3 PLACES	± ---	± ---	2 PLACES	± ---	± ---	1 PLACE	± ---	± ---	0 PLACE	± ---	± ---	DIMENSION STYLE MM ONLY	SCALE 1:1	DESIGN UNITS METRIC	FIRST ANGLE PROJECTION
			mm	INCH																				
	4 PLACES		± ---	± ---																				
3 PLACES	± ---	± ---																						
2 PLACES	± ---	± ---																						
1 PLACE	± ---	± ---																						
0 PLACE	± ---	± ---																						
<table border="1"> <thead> <tr> <th>REV</th> <th>DESCRIPTION</th> </tr> </thead> <tbody> <tr> <td>B</td> <td></td> </tr> </tbody> </table>	REV	DESCRIPTION	B		<table border="1"> <thead> <tr> <th>DRAWN BY</th> <th>DATE</th> <th>TITLE</th> </tr> </thead> <tbody> <tr> <td>JMARSZALEK</td> <td>2012/11/20</td> <td rowspan="4"> G85XXXXXXXXXX DIN MICRO + CORDSETS M12 </td> </tr> <tr> <td>CHECKED BY</td> <td>DATE</td> </tr> <tr> <td>MSZWAJKOWSKI</td> <td>2012/11/20</td> </tr> <tr> <td>APPROVED BY</td> <td>DATE</td> </tr> </tbody> </table>	DRAWN BY	DATE	TITLE	JMARSZALEK	2012/11/20	G85XXXXXXXXXX DIN MICRO + CORDSETS M12	CHECKED BY	DATE	MSZWAJKOWSKI	2012/11/20	APPROVED BY	DATE	molex	MATERIAL NO. SD-121036-003 SHEET NO. 3 OF 3					
REV	DESCRIPTION																							
B																								
DRAWN BY	DATE	TITLE																						
JMARSZALEK	2012/11/20	G85XXXXXXXXXX DIN MICRO + CORDSETS M12																						
CHECKED BY	DATE																							
MSZWAJKOWSKI	2012/11/20																							
APPROVED BY	DATE																							
ANGULAR ± --- ° DRAFT WHERE APPLICABLE MUST REMAIN WITHIN DIMENSIONS	SEE TABLE	THIS DRAWING CONTAINS INFORMATION THAT IS PROPRIETARY TO MOLEX INCORPORATED AND SHOULD NOT BE USED WITHOUT WRITTEN PERMISSION																						