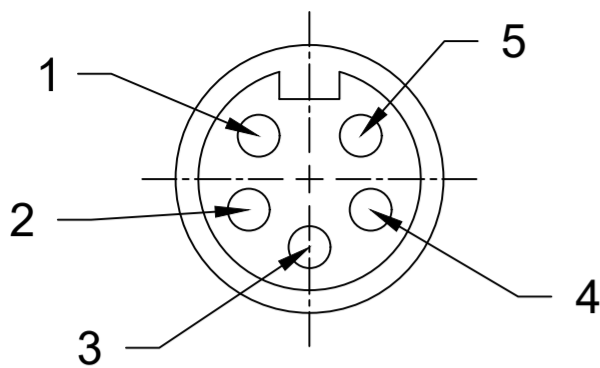


FACE VIEW-MALE INSERT



- 1 DRAIN
- 2 RED
- 3 BLACK
- 4 WHITE
- 5 BLUE

PART NUMBER LEGEND

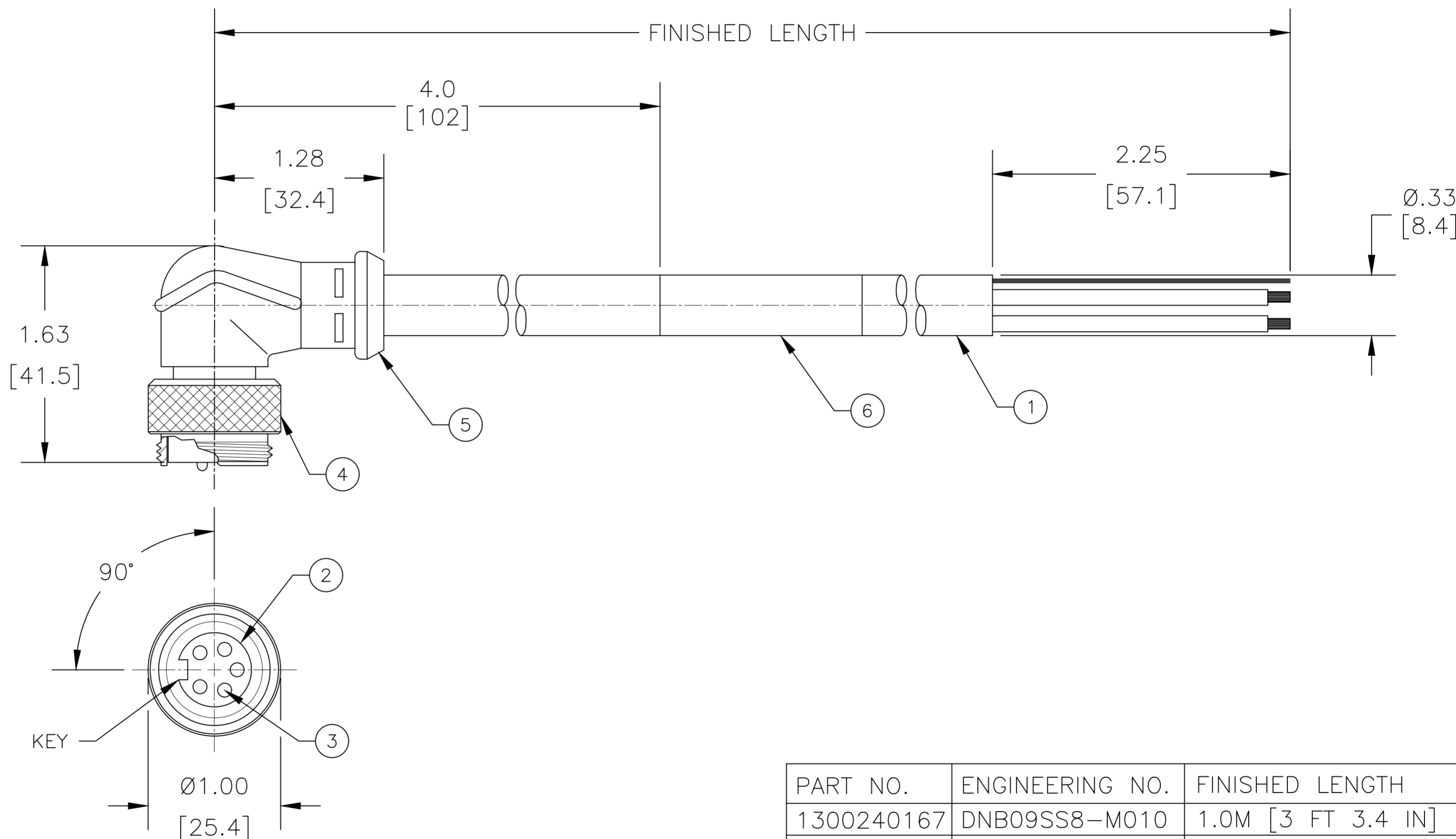
DNB09SS8-M010

FINISHED LENGTH:

- M005= 0.5 METER
- M010= 1.0 METER
- M100= 10.0 METERS

CABLE LENGTH TOLERANCES

- >.3M [1FT]: +19mm-0 [+ .75in-0]
- .3 - .9M [1 - 3FT]: +44.5mm-0 [+1.75in-0]
- .9 - 1.8M [3 - 6FT]: +55.6mm-0 [+2.19in-0]
- 1.8 - 3.7M [6 - 12FT]: +88.9mm-0 [+3.50in-0]
- 3.7 - 7.3M [12 - 24FT]: +165.1mm-0 [+6.50in-0]
- 7.3-14.6M [24 - 48FT]: +317.5mm-0 [+12.50in-0]
- 14.6 - 30.5M [48-100FT]: +622.3mm-0 [+24.50in-0]
- OVER 30M [100FT] +2% OF FINISHED LENGTH



- NOTES:**
1. MATERIAL: AS NOTED
 2. FINISH: AS NOTED
 3. ELECTRICAL:
VOLTAGE: 300V PER IEC 60664
300V PER UL 2238
CURRENT: 8A
 4. TEMP RATING: -20°C TO +60°C
 5. PROTECTION: IP67 (WHEN MATED)
 6. COUPLING THREAD: 7/8-16 UN
 7. CSA CERTIFIED FILE: LR6837
 8. ALL DIMS ARE FOR REFERENCE UNLESS TOLERANCED OR NOTED OTHERWISE

PART NO.	ENGINEERING NO.	FINISHED LENGTH
1300240167	DNB09SS8-M010	1.0M [3 FT 3.4 IN]
1300240378	DNB09SS8-M035	3.5M [11 FT 5.8 IN]
1300240381	DNB09SS8-M130	13.0M [42 FT 7.7 IN]

ITEM	DESCRIPTION	MATERIAL	FINISH
6	WRAP LABEL	VINYL	BLACK/YELLOW
5	OVERMOLD	TPE	GRAY
4	COUPLING NUT, EXT. THD	ST. STEEL	PASSIVATED
3	CONTACT PIN	COPPER ALLOY	GOLD PLATED
2	MALE INSERT	TPE	GRAY
1	CABLE, 16/2 20/2 DEV-NET	PVC JACKET	GRAY

FUNCTIONAL SYMBOLS FA=0 EC=0 EP=0 DIVISIONAL SYMBOLS	THIS DRAWING CONTAINS INFORMATION THAT IS PROPRIETARY TO MOLEX ELECTRONIC TECHNOLOGIES, LLC AND SHOULD NOT BE USED WITHOUT WRITTEN PERMISSION		CURRENT REV DESC: INITIAL RELEASE	
	DIMENSION UNITS: INCH/MM SCALE: 1:1		EC NO: 638980 DRWN: RSTONE 2020/06/04 CHK'D: CCHRSTKA 2020/06/04 APPR: BWOODMAN 2020/06/04	
	GENERAL TOLERANCES (UNLESS SPECIFIED) 4 PLACES ±--- ±--- 3 PLACES ±--- ±--- 2 PLACES ±--- ±--- 1 PLACE ±--- ±--- 0 PLACES ±--- ±--- ANGULAR TOL ± --- °		INITIAL REVISION: DRWN: RSTONE 2020/06/04 APPR: BWOODMAN 2020/06/04	
	DRAFT WHERE APPLICABLE MUST REMAIN WITHIN DIMENSIONS		THIRD ANGLE PROJECTION DRAWING: C-SIZE SERIES: 130024	
DOCUMENT NUMBER: 1300240167		DOC TYPE/DOC PART/REVISION: PSD 000 A		
MATERIAL NUMBER: 130024		CUSTOMER: GENERAL MARKET SHEET NUMBER: 1 OF 1		