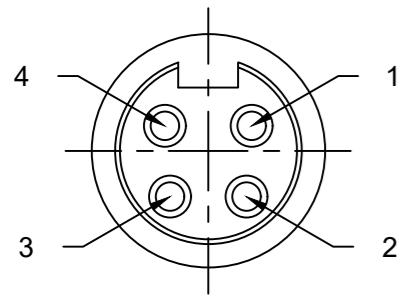
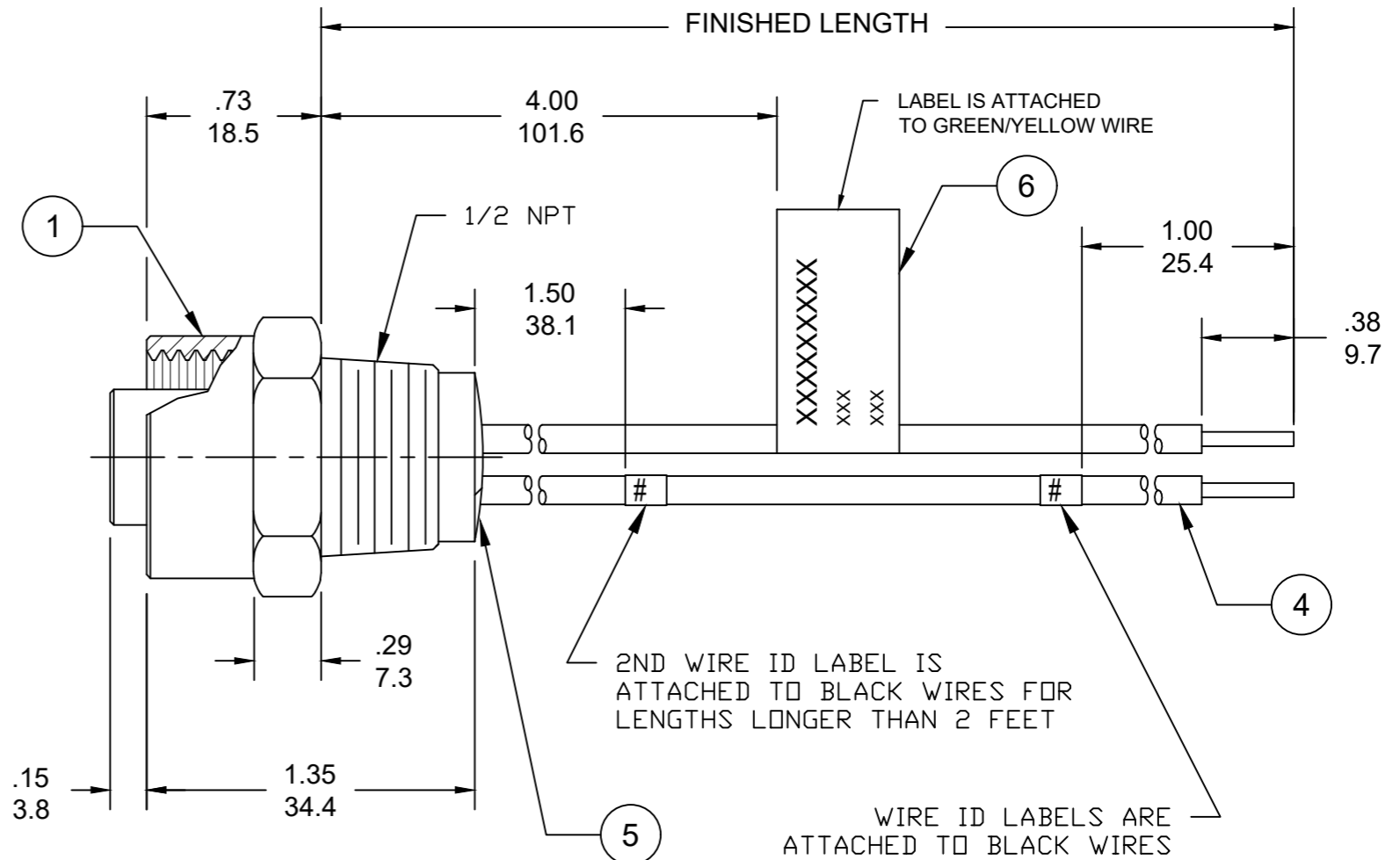
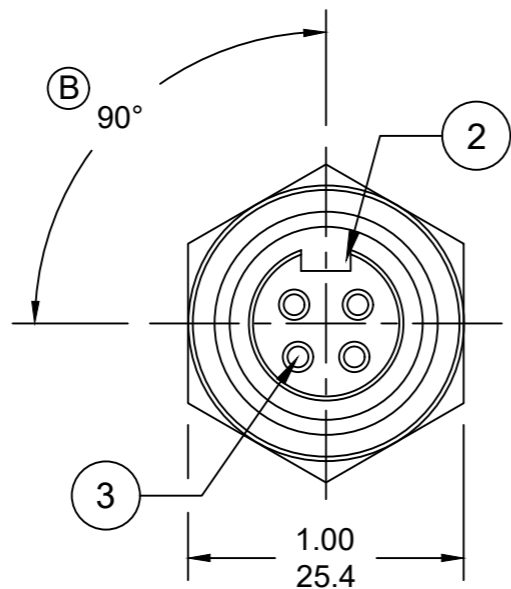


FACE VIEW-FEMALE INSERT



- 1 BLACK #1
- 2 BLACK #2
- 3 BLACK #3
- 4 GREEN/YELLOW



NOTES:

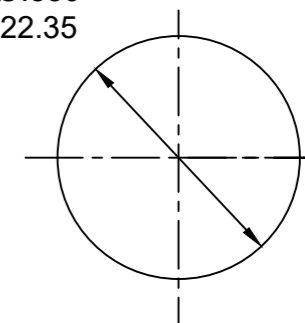
1. MATERIAL: AS NOTED
2. FINISH: AS NOTED
3. ELECTRICAL:
- (B) VOLTAGE: 483V PER IEC60664  
600V PER UL2237
- CURRENT: 15A
4. TEMP RATING: -20°TO +90°C
5. PROTECTION: IP67 (WHEN MATED)
6. COUPLING THREAD: 7/8-16UN
- (B) 7. UL LISTED FILE: E258992
8. ALL DIMS ARE FOR REFERENCE UNLESS NOTED OR TOLERANCED OTHERWISE

PART NUMBER LEGEND

1R4000A82M005G

FINISHED LENGTH:  
M005= 0.5 METER  
M010= 1 METER  
M100= 10 METER

Ø.880  
22.35



REF. KNOCKOUT HOLE

6	FLAG LABEL	VINYL	BLACK/YELLOW
5	POTTING MATERIAL	EPOXY	
4	WIRE, 14 AWG (UL1015) (B)	PVC INSULATION	SEE FACE VIEW
3	CONTACT SOCKET	COPPER ALLOY	GOLD PLATED
2	FEMALE INSERT	TPE (B)	BLACK
1	RECEPTACLE SHELL	ZINC DIE-CAST	NICKEL PLATE
ITEM	DESCRIPTION	MATERIAL	FINISH

THIS DRAWING CONTAINS INFORMATION THAT IS PROPRIETARY TO MOLEX ELECTRONIC TECHNOLOGIES, LLC AND SHOULD NOT BE USED WITHOUT WRITTEN PERMISSION									
DIMENSION UNITS		SCALE		CURRENT REV DESC: WIRE WAS THHN, INSERT WAS PVC, IEC VOLTAGE WAS 320, ADD 90 DEG FOR KEY, ADD NOTE 7					
INCH/MM		1:1		EC NO: 626130 DRWN: RSTONE 2019/10/22 CHK'D: ALEON01 2019/10/24 APPR: BWOODMAN 2019/10/31					
GENERAL TOLERANCES (UNLESS SPECIFIED)									
▽ = 0	4 PLACES	±---	±---	INITIAL REVISION: DRWN: RSTONE 2017/01/09 APPR: BWOODMAN 2017/01/26					
▽ = 0	3 PLACES	±---	±---						
▽ = 0	2 PLACES	±---	±---						
▽ = 0	1 PLACE	±---	±---						
▽ = 0	0 PLACES	±---	±---	ANGULAR TOL ± --- °		DRAFT WHERE APPLICABLE MUST REMAIN WITHIN DIMENSIONS		THIRD ANGLE PROJECTION	
▽ = 0	DRAWING		SERIES		MATERIAL NUMBER		CUSTOMER		SHEET NUMBER
B-SIZE		130066		SD-130066-074		GENERAL MARKET		1 OF 1	