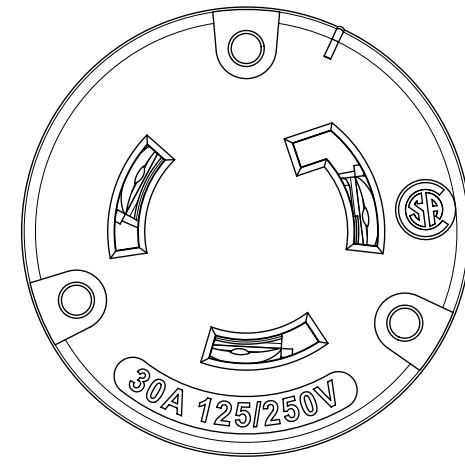
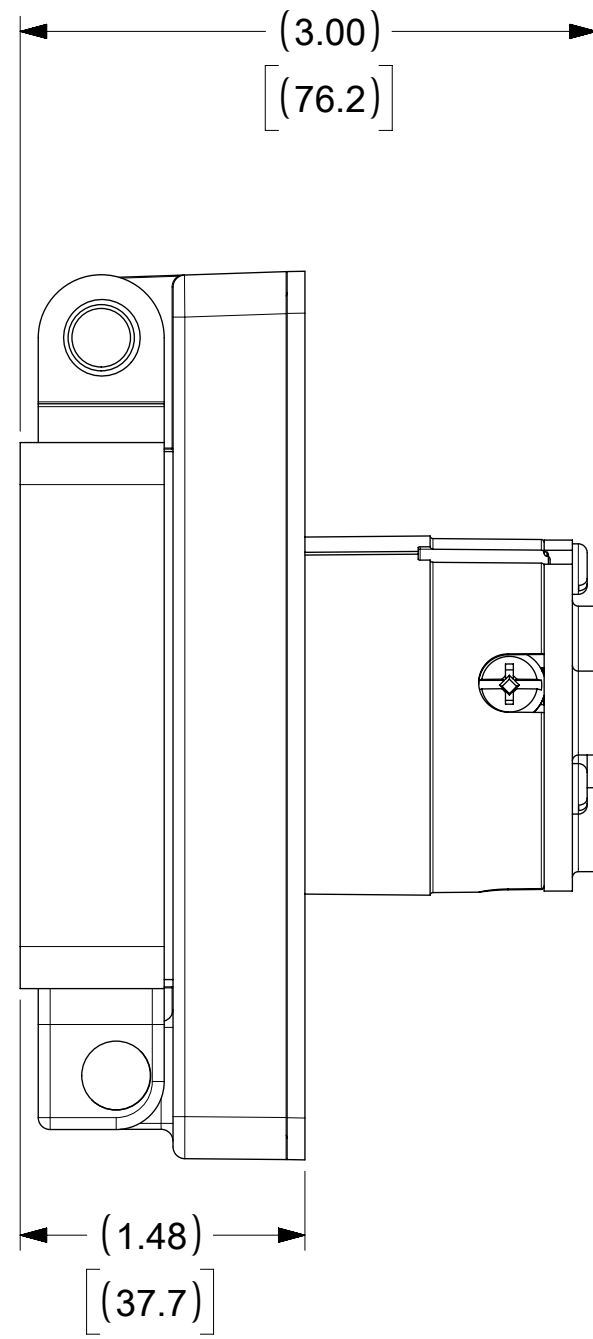
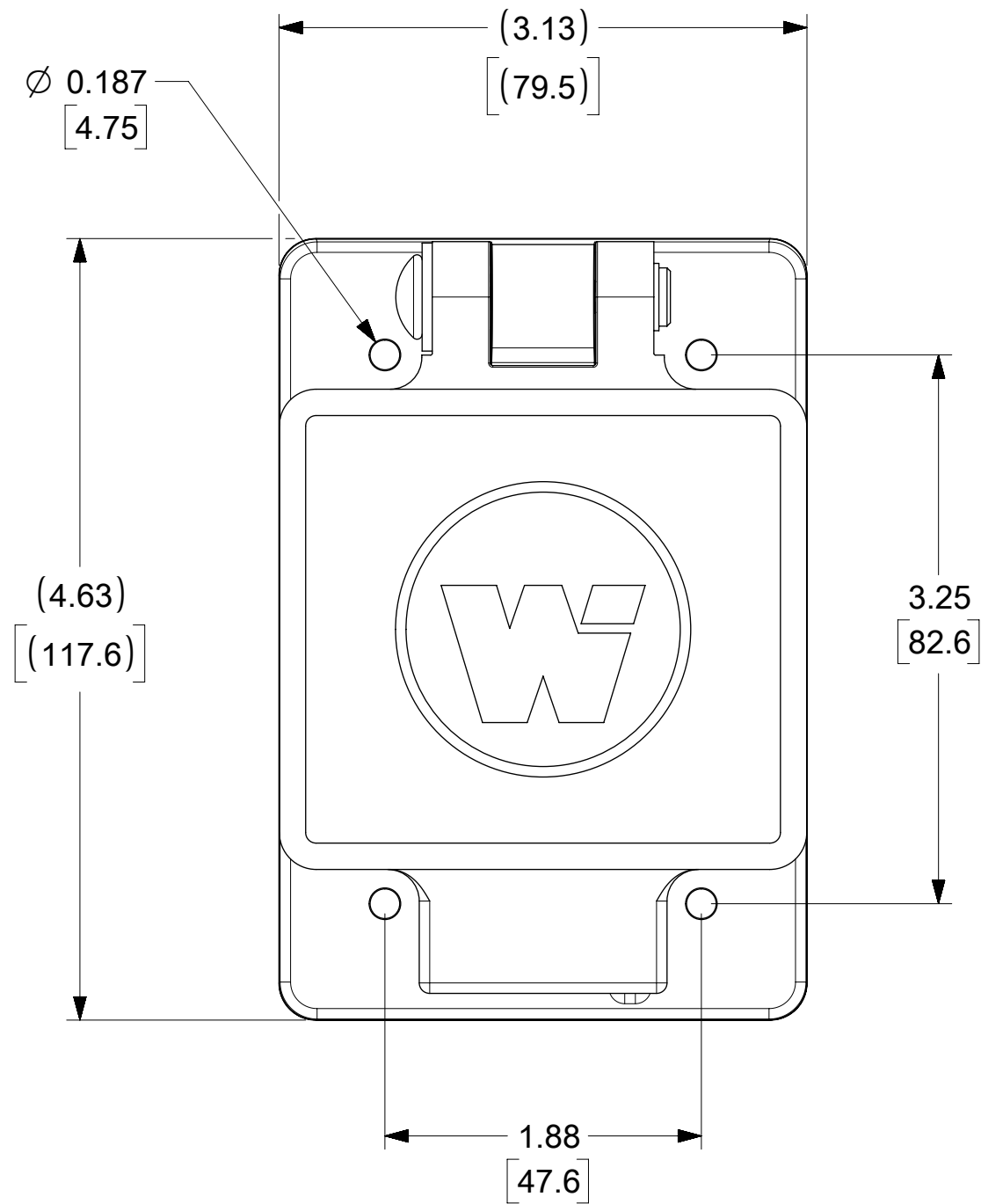
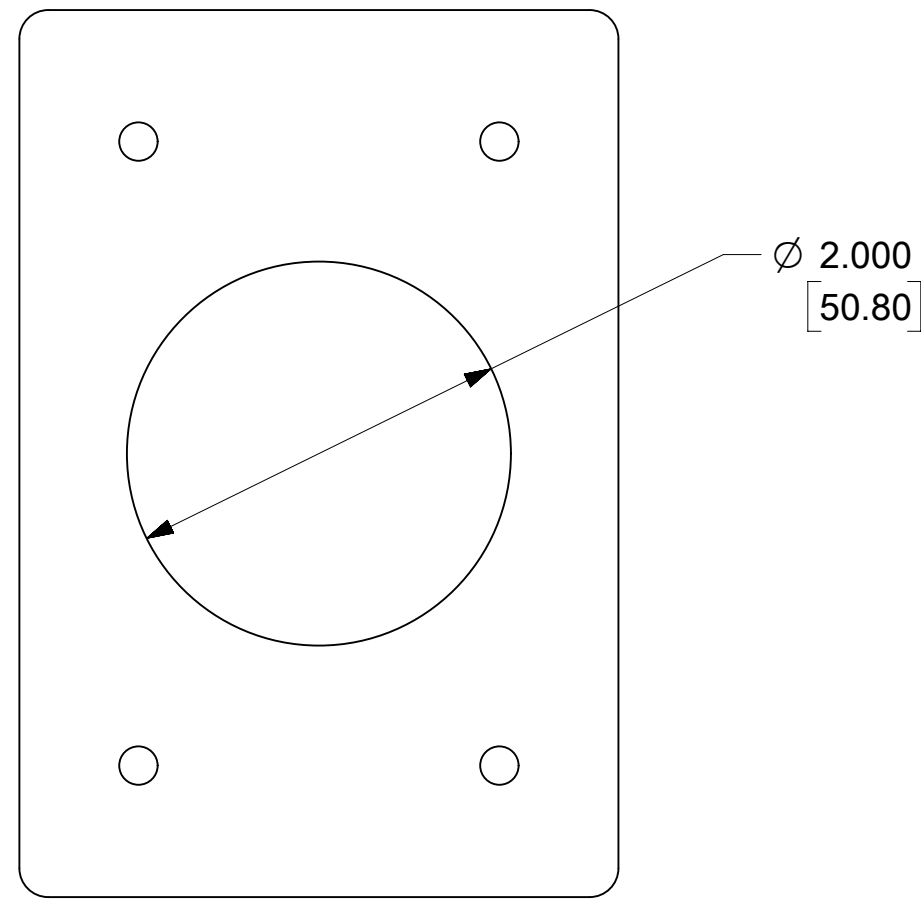
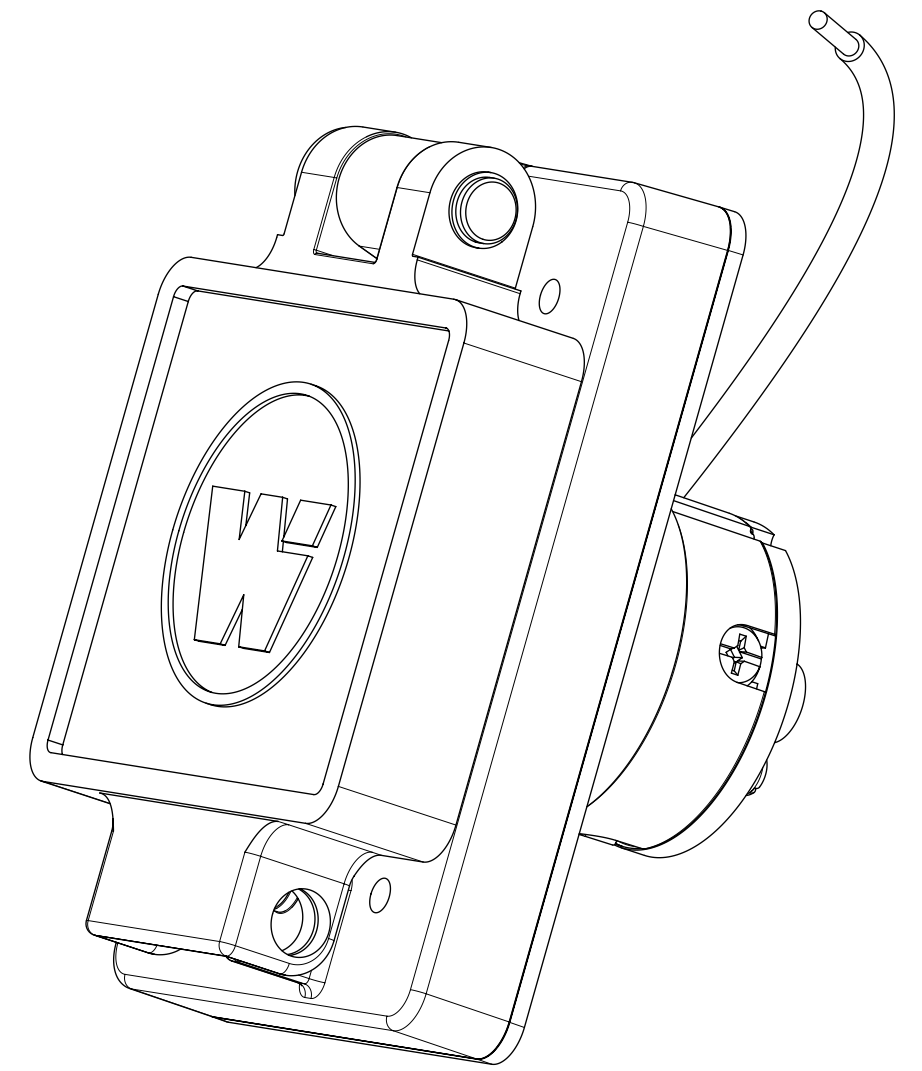


ORDER NO.	WOODHEAD NO.	COLOR
130147-0166	69W08	YELLOW



FACE VIEW



CLEARANCE HOLE (FOR PANEL MOUNT)

DESCRPITION	MATERIAL	QTY.
BLADES	BRASS, NICKEL PLATED	3
RETAINING SCREWS	STAINLESS STEEL	3
CLAMP AND TERMINAL SCREW ASSY.	BRASS, ZINC PLATED	3
FEMALE INSERT	NYLON	1
TERMINAL COVER	POLYCARBONATE	1
COVER ASSEMBLY	POLYCARBONATE, STAINLESS STEEL, ALUMINUM	1
GASKET FLIP	NEOPRENE	1
SUPPORT PLATE	STAINLESS STEEL	1
SCREW (GROUND WIRE)	STAINLESS STEEL	1
JUMPER WIRE ASSY	COPPER, BRASS (TINNED FINISH)	1

THIS DRAWING CONTAINS INFORMATION THAT IS PROPRIETARY TO MOLEX ELECTRONIC TECHNOLOGIES, LLC AND SHOULD NOT BE USED WITHOUT WRITTEN PERMISSION												
SYMBOLS		DIMENSION UNITS		SCALE		CURRENT REV DESC: MIGRATE TO ECTR/NX						
▽ = 0	INCH	[MM]	NTS	<p>EC NO: 613925</p> <p>DRWN: SRPATIL 2018/12/21</p> <p>CHK'D: DNGUYEN62 2019/03/19</p> <p>APPR: HKNEELAND 2019/04/02</p> <p>INITIAL REVISION:</p> <p>DRWN: SRPATIL 2018/12/21</p> <p>APPR: HKNEELAND 2019/04/02</p>								
▽ = 0	GENERAL TOLERANCES (UNLESS SPECIFIED)											
▽ = 0		MM	INCH									
▽ = 0	4 PLACES	±	±									
▽ = 0	3 PLACES	±	±	DRWN: SRPATIL 2018/12/21		SERIES		DOCUMENT NUMBER		DOC TYPE	DOC PART	REVISION
▽ = 0	2 PLACES	±	±	DRWN: SRPATIL 2018/12/21		130147		1301470166		PSD	000	A
▽ = 0	1 PLACE	±	±	DRWN: SRPATIL 2018/12/21		C-SIZE		SEE TABLE		GENERAL MARKET		SHEET NUMBER
▽ = 0	0 PLACES	±	±	DRWN: SRPATIL 2018/12/21		130147		GENERAL MARKET				1 OF 1
▽ = 0	ANGULAR TOL ± °			THIRD ANGLE PROJECTION		DRAWING		MATERIAL NUMBER		CUSTOMER		
▽ = 0	DRAFT WHERE APPLICABLE MUST REMAIN WITHIN DIMENSIONS			THIRD ANGLE PROJECTION		DRAWING		MATERIAL NUMBER		CUSTOMER		

**molex**

WATERTITE TURNEX RECEPTACLE  
3P3W NON-NEMA

PRODUCT CUSTOMER DRAWING

1301470166 PSD 000 A