

SACC-DSI-MSD-4CON-L180 SCO

Order No.: 1551516

<http://eshop.phoenixcontact.de/phoenix/treeViewClick.do?UID=1551516>


Bus system flush-type connector, ETHERNET, 4-pos., M12
SPEEDCON, D-coded, rear/screw mounting with PG9 thread, with
straight solder connection



Ethernet



Commercial data

GTIN (EAN)	 4 046356 153621
sales group	D125
Pack	20 pcs.
Customs tariff	85366990
Catalog page information	Page 28 (PC-2009)

Product notes

WEEE/RoHS-compliant since:
08/07/2007



<http://>

www.download.phoenixcontact.com
Please note that the data given
here has been taken from the
online catalog. For comprehensive
information and data, please refer
to the user documentation. The
General Terms and Conditions of
Use apply to Internet downloads.

Technical data

General data

Rated current at 40°C	4 A
Rated voltage	250 V
Number of positions	4
Volume resistance	≤ 3 mΩ

Insulation resistance	≥ 100 MΩ
Ambient temperature (operation)	-25 °C ... 85 °C (Male connector / female connector)

General characteristics

Standards/regulations	M12 connector IEC 61076-2-101
Coding	D - data
Surge voltage category	II
Pollution degree	3
Degree of protection	IP67
Contact material	CuZn
Contact surface material	Au
Contact carrier material	PA 66
Material, knurls	Zinc die-cast, (nickel-plated)
Sealing material	NBR
Mounting type	Rear mounting Pg9 With locking nut
Type of connection	Solder pins
Length of the solder contacts	6 mm
Status display	No

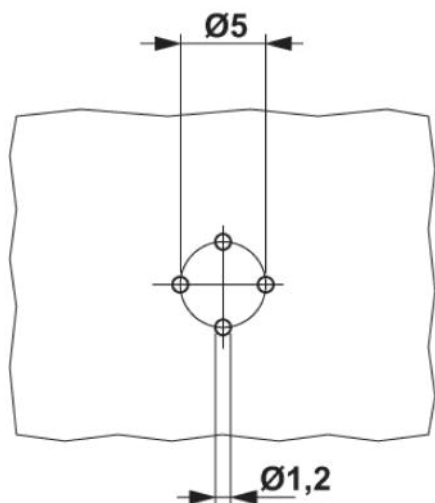
Certificates / Approvals



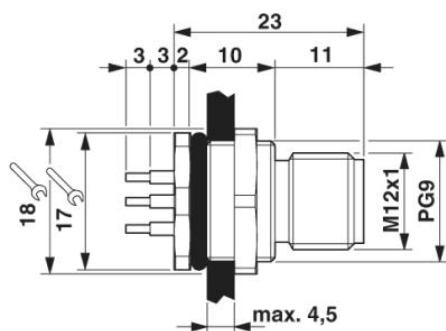
Certification UL

Diagrams/Drawings

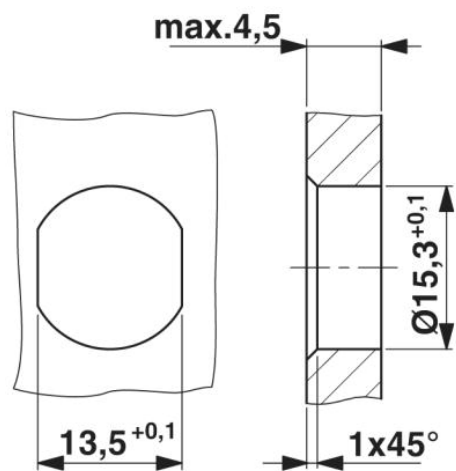
Drilling plan/solder pad geometry



Dimensioned drawing

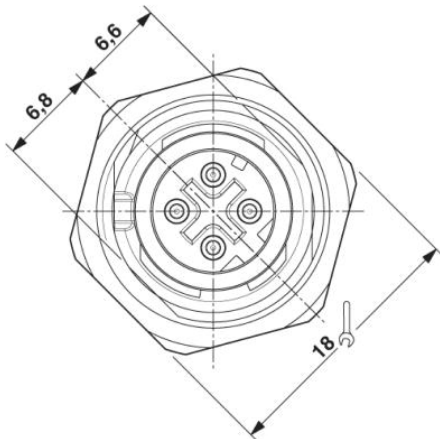


M12 flush-type connector

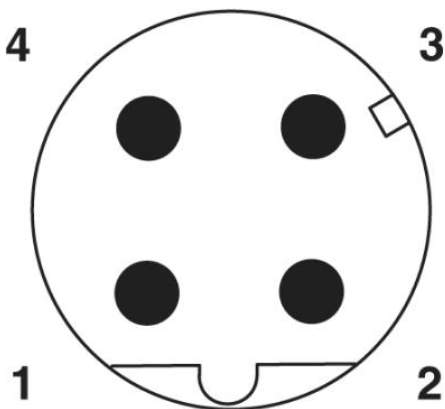


Mounting cutout with polarization for Pg9 thread

M12 front view



Schematic diagram



Pin assignment M12 male connector, 4-pos., D-coded, male side

Address

PHOENIX CONTACT Inc., USA
586 Fulling Mill Road
Middletown, PA 17057, USA
Phone (800) 888-7388
Fax (717) 944-1625
<http://www.phoenixcon.com>



© 2010 Phoenix Contact
Technical modifications reserved;