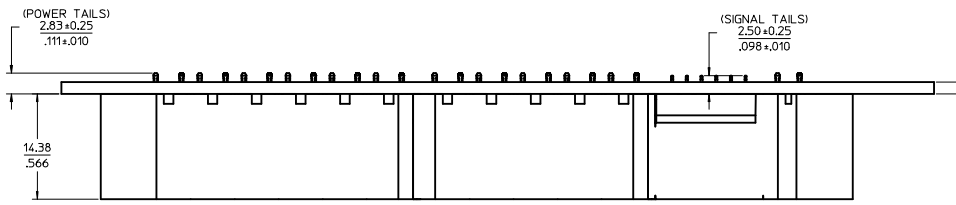
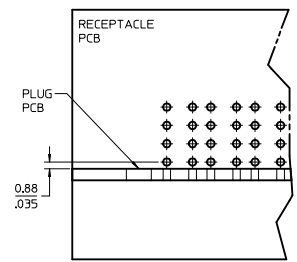
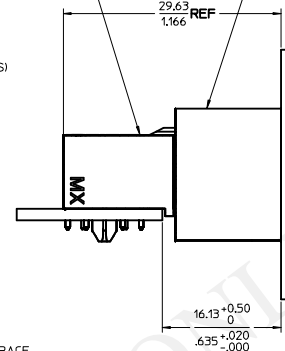


3D MODEL NO.: TM-171088-0022

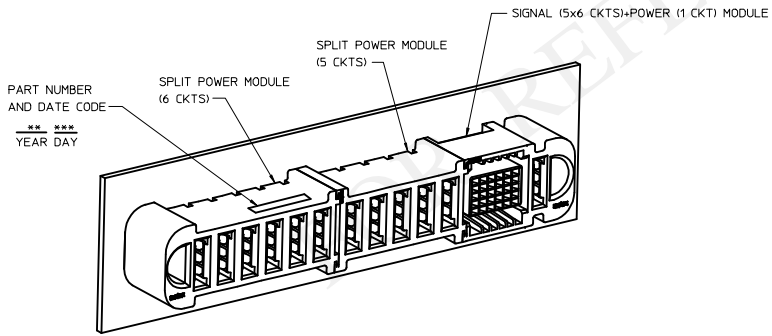
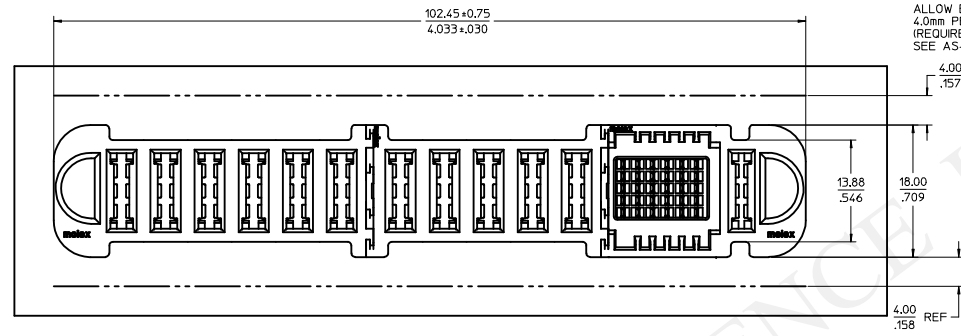


PLUG ASSY  
P/N:171088-0022

VERT.RECEPTACLE ASSY  
P/N:171089-0022

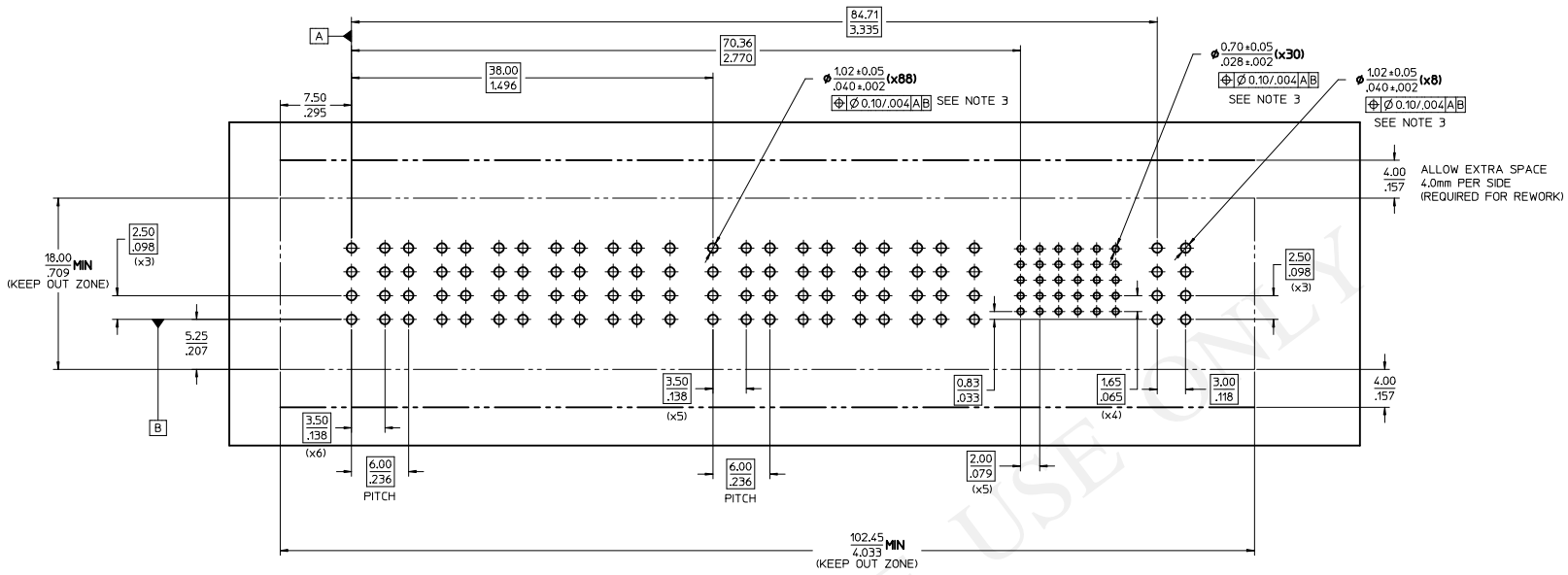


PARTIAL1



- NOTES:
1. MATERIAL:  
-HOUSINGS: LCP UL94, V-0, COLOR: BLACK.  
-TERMINALS: COPPER ALLOY.  
-PLATING: 1.27 MICROMETER (50 MICRON) NICKEL OVERALL  
WITH 2.54 MICROMETER (100 MICRON) SELECTIVE TIN ON TAILS  
AND 0.762 MICROMETER (30 MICRON) SELECTIVE GOLD ON CONTACT AREA
  2. PACKAGING: ASSEMBLIES TO BE TRAY PACKED PER PACKAGING SPEC PK-171089-0001
  3. PLATED THRU HOLE SIZE REFERS TO PS-171088-0000 FOR DETAILS
  4. PRODUCT SPEC: PS-171088-0000
  5. APPLICATION SPEC: AS-46436-100
  6. SEE PRODUCT SPEC FOR RoHS REQUIREMENTS
  7. ASSEMBLY MATES TO MOLEX PLUG ASSEMBLY P/N 171088-0022
  8. TAIL DESIGN: COMPLIANT PIN
  9. POWER AND SIGNAL CONTACTS ARE LUBRICATED.

<b>REVISE NOTE</b> IEC NO. UCF2016-1405 CHYD:JULIN 2015/09/30 APPR:JULLES 2015/09/30	<b>QUALITY SYMBOLS</b> ∇=0 ∇=0 ∇=0	<b>GENERAL TOLERANCES (UNLESS SPECIFIED)</b>		<b>DIMENSION STYLE</b> MM/IN	<b>SCALE</b> 3:1	<b>DESIGN UNITS</b> METRIC	THIRD ANGLE PROJECTION	
		4 PLACES ±--- ±--- 3 PLACES ±--- ±--- 2 PLACES ±0.13 ±--- 1 PLACE ±0.25 ±--- 0 PLACE ±--- ±---	mm INCH	DRAWN BY DATE VLIN 2012/09/12	CHECKED BY DATE	<b>TITLE</b> TEN60 SPLIT POWER VERT ASSY G-1P-30S-5SP-6SP-G <b>molex</b>		
		ANGULAR ±1/2° DRAFT WHERE APPLICABLE MUST REMAIN WITHIN DIMENSIONS	APPROVED BY DATE VLIN 2012/10/10	<b>MATERIAL NO.</b> 171089-0022	<b>DOCUMENT NO.</b> SD-171089-0022	<b>SHEET NO.</b> 1 OF 3		
		THIS DRAWING CONTAINS INFORMATION THAT IS PROPRIETARY TO MOLEX INCORPORATED AND SHOULD NOT BE USED WITHOUT WRITTEN PERMISSION						



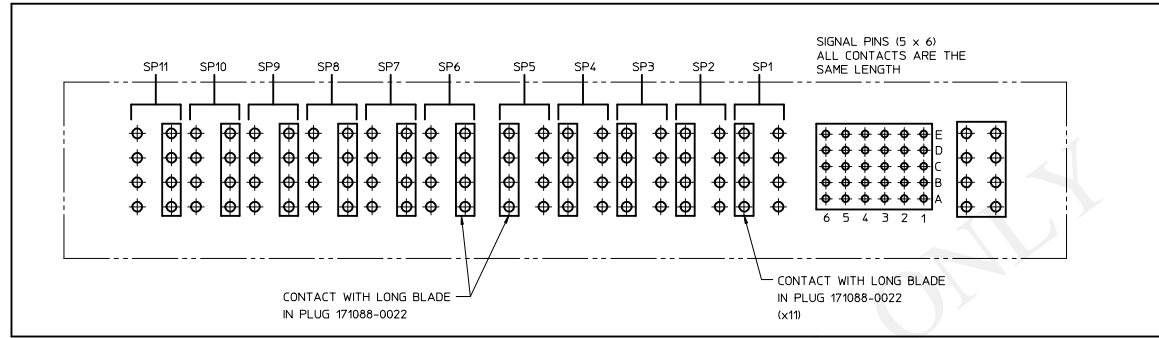
RECOMMENDED PCB LAYOUT AND KEEP OUT ZONE  
(SEE SHEET 3 FOR PIN ASSIGNMENT)

FOR REFERENCE ONLY

<b>SEE SHEET 1</b> IEC NO. UCP2016-1405 2015/09/30 CHYK:JULIN 2015/09/30 APPR:JULIN 2015/09/30	QUALITY SYMBOLS	GENERAL TOLERANCES (UNLESS SPECIFIED)	DIMENSION STYLE	SCALE	DESIGN UNITS	THIRD ANGLE PROJECTION
	$\nabla=0$ $\nabla=0$ $\nabla=0$	4 PLACES ± mm ± INCH 3 PLACES ± --- ± --- 2 PLACES ± 0.13 ± --- 1 PLACE ± 0.25 ± --- 0 PLACE ± --- ± ---	MM/IN	4:1	METRIC	
	DRAFT WHERE APPLICABLE MUST REMAIN WITHIN DIMENSIONS	DRAWN BY DATE VL IN 2012/09/12 CHECKED BY DATE APPROVED BY DATE VL IN 2012/10/10	TITLE	TEN60 SPLIT POWER VERT ASSY G-1P-30S-5SP-6SP-G <b>molex</b>		
		MATERIAL NO. 171089-0022 DOCUMENT NO. SD-171089-0022 SHEET NO. 2 OF 3	THIS DRAWING CONTAINS INFORMATION THAT IS PROPRIETARY TO MOLEX INCORPORATED AND SHOULD NOT BE USED WITHOUT WRITTEN PERMISSION			

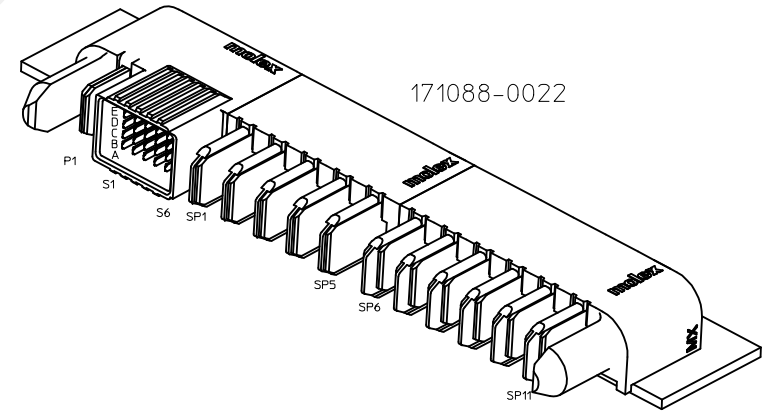
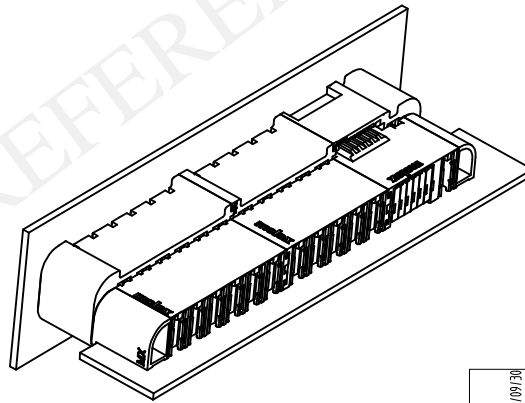
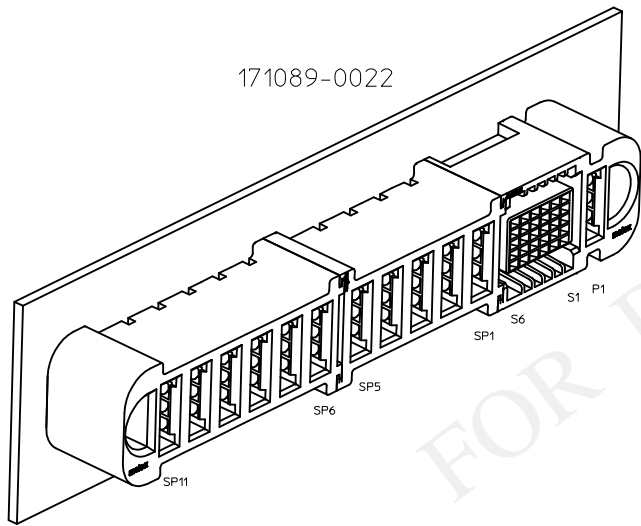
TEN60  
SPLIT POWER  
(SP)

STANDARD  
TEN60  
POWER  
(P)



PCB PIN ASSIGNMENT

PLEASE ALSO REFER TO PLUG DRAWING  
P/N: 171088-0022



SEE SHEET 1 IEC NO. UCP2016-1405 DRAWN: JUILLES 2015/09/30 CHECKED: LIN 2015/09/30 APPR: JUILLES 2015/09/30 REV DESCRIPTION	QUALITY SYMBOLS	GENERAL TOLERANCES (UNLESS SPECIFIED)	DIMENSION STYLE	SCALE	DESIGN UNITS	THIRD ANGLE PROJECTION	
	▽=0	mm INCH	MM/IN	4:1	METRIC	☉	
	▽=0	4 PLACES ± ---	DRAWN BY DATE	VLIN 2012/09/12	TITLE		TEN60 SPLIT POWER VERT ASSY
	▽=0	3 PLACES ± ---	CHECKED BY DATE	APPROVED BY DATE	VLIN 2012/10/10		G-1P-30S-5SP-6SP-G
	ANGULAR ±1/2°	DRAFT WHERE APPLICABLE MUST REMAIN WITHIN DIMENSIONS	MATERIAL NO.	171089-0022	DOCUMENT NO.	SD-171089-0022	
			SIZE	D	THIS DRAWING CONTAINS INFORMATION THAT IS PROPRIETARY TO MOLEX INCORPORATED AND SHOULD NOT BE USED WITHOUT WRITTEN PERMISSION		
						SHEET NO. 3 OF 3	