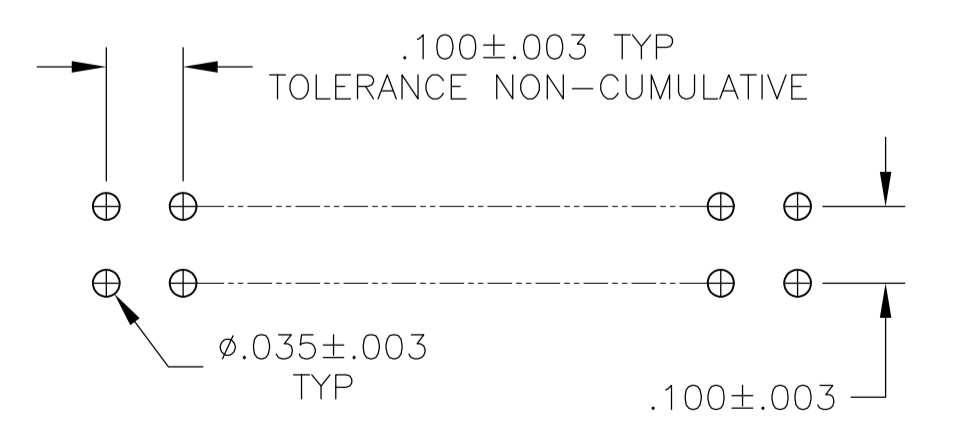
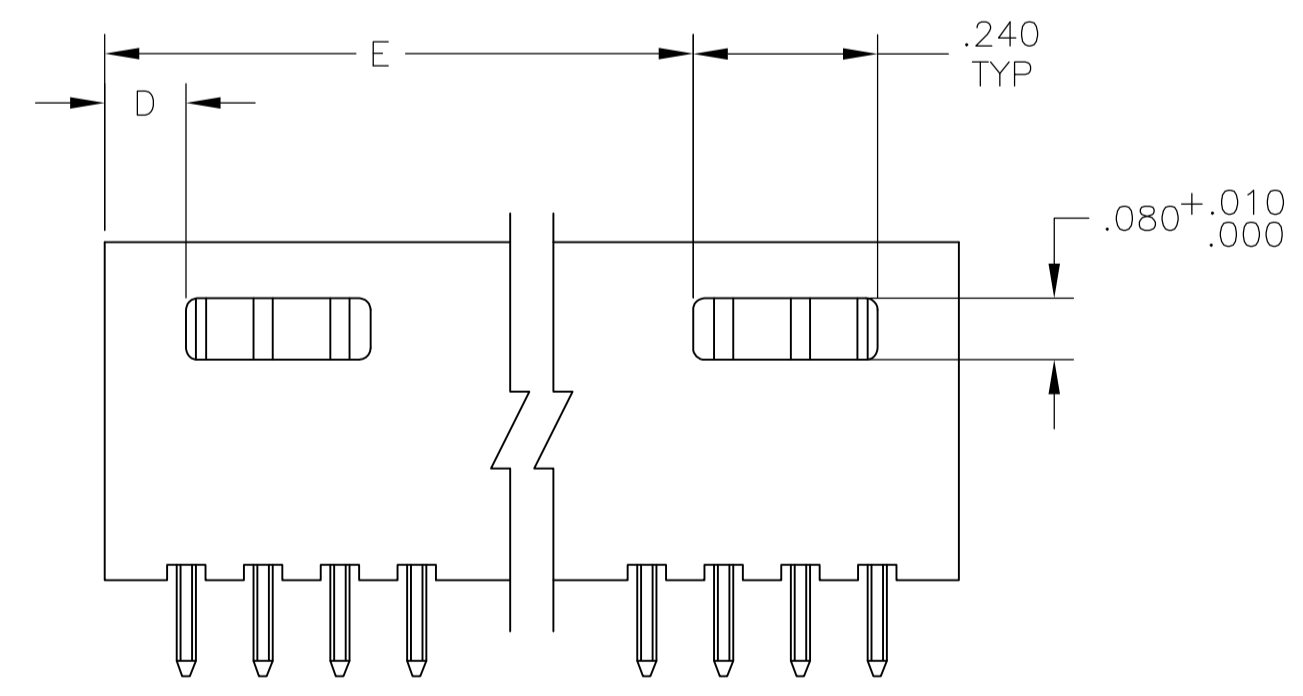
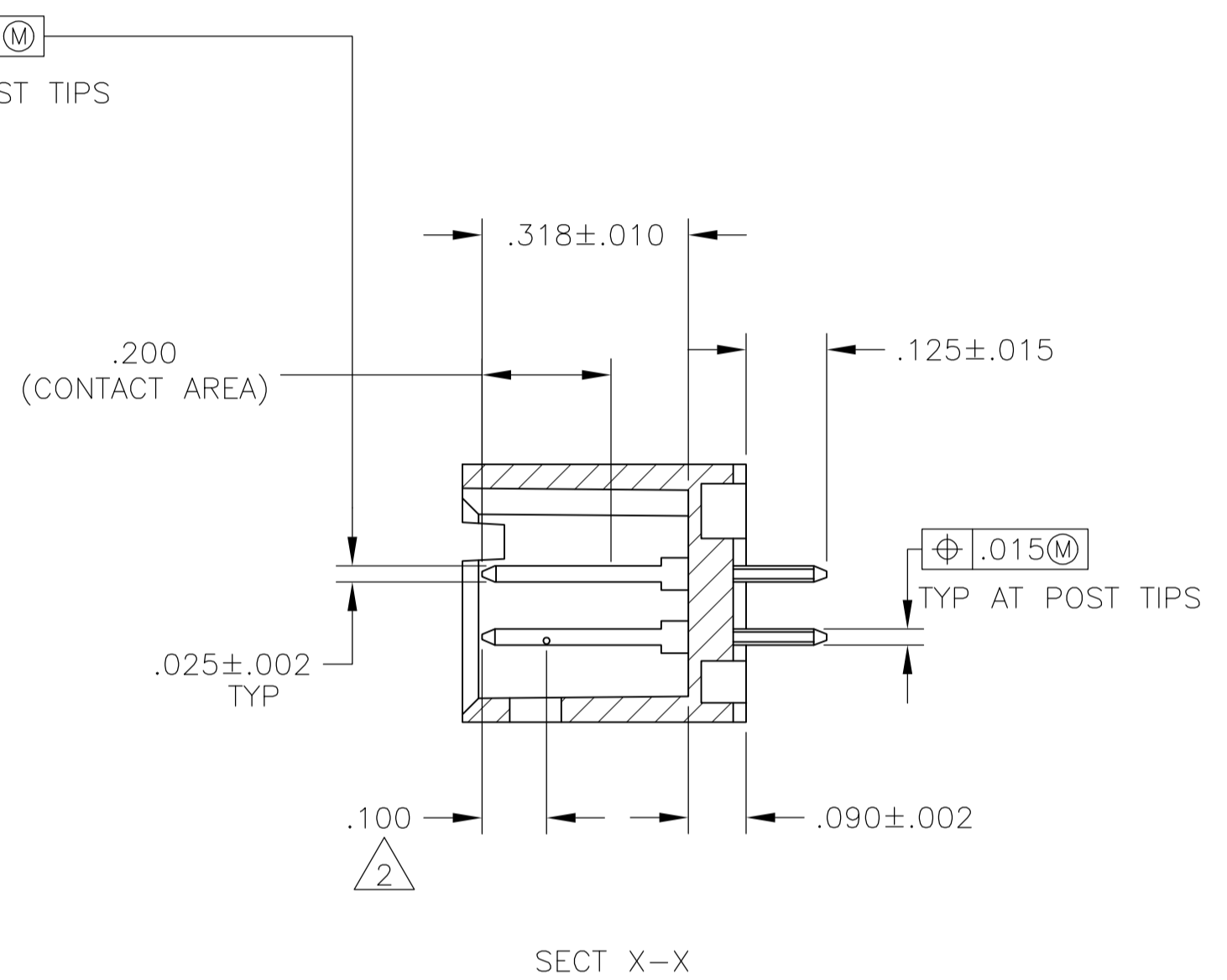
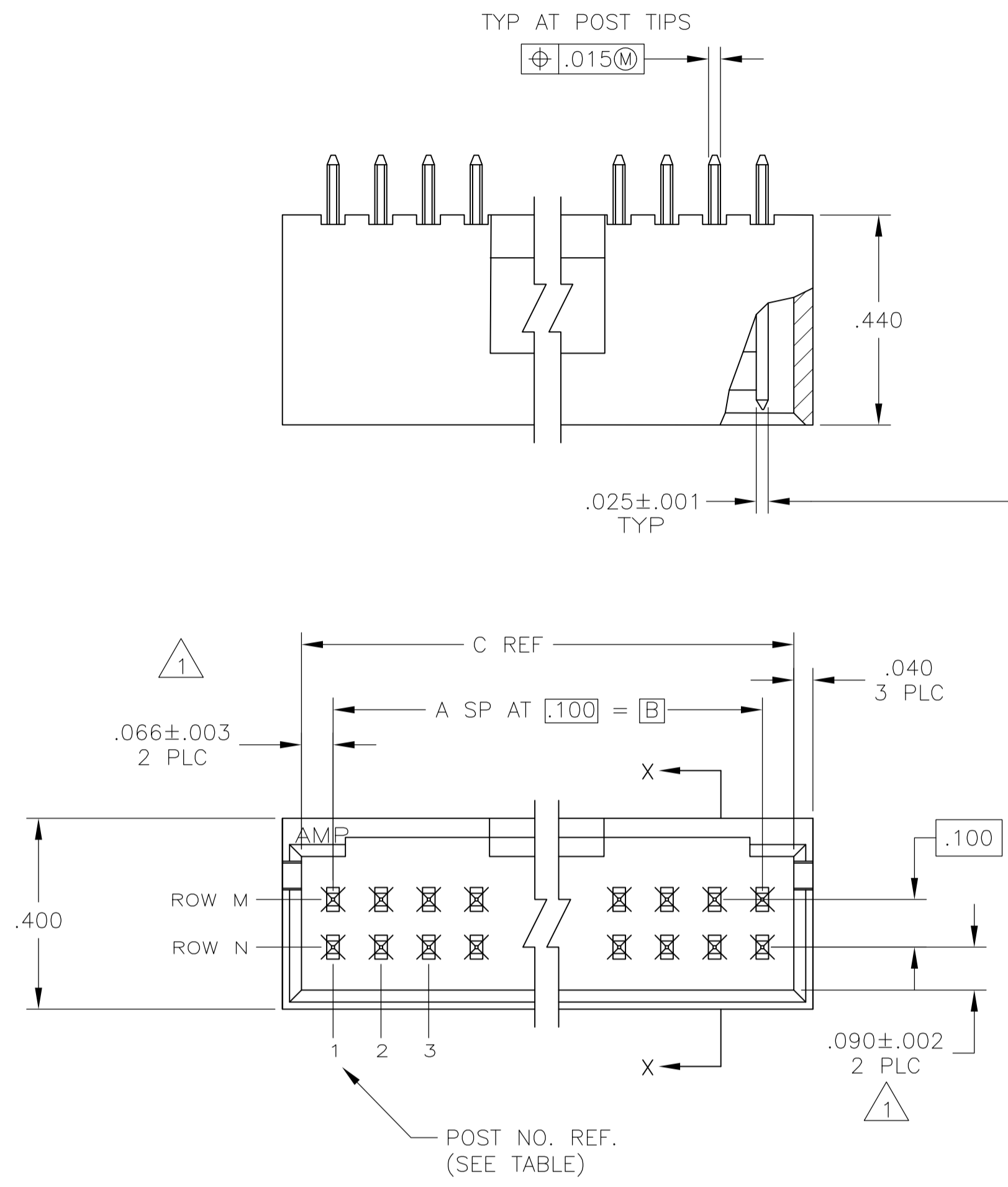


- 1 THE NOTED DIMENSIONS APPLY AT THE INTERSECTION OF THE POST AND HOUSING
- 2 POINT OF MEASUREMENT FOR PLATING THICKNESS
- 3 FINISH: POSTS-.000015 GOLD IN CONTACT AREA, .000100-.000200 MATTE TIN ON SOLDER TAIL, ALL OVER .000050 NICKEL
- 4 MATERIALS: HOUSING- FLAME RETARDANT THERMOPLASTIC, COLOR-BLACK
POSTS- PHOS BRONZE



RECOMENDED HOLE LAYOUT

1	NONE	—	.206	.532	.400	4	10	1977156-1
ROW M	ROW N	E	D	C	B	A	NO. OF POSN	ASSEMBLY PART NUMBER
POST NO. OMITTED								
THIS DRAWING IS A CONTROLLED DOCUMENT.		DIN R BROWN 21JUN2007	Tyco Electronics Corporation Harrisburg, Pa 17105-3608					
DIMENSIONS: INCHES		TOLERANCES UNLESS OTHERWISE SPECIFIED:	NAME: HDR ASSY, MOD II, SHROUDED, 4 SIDES, DBL ROW, VERTICAL, .100X.100 C/L, WITH .025 SQ POSTS					
0 PLC ± -		1 PLC ± -	PRODUCT SPEC					
2 PLC ± -		2 PLC ± -	APPLICATION SPEC					
3 PLC ± .005		3 PLC ± -	SIZE: CAGE CODE DRAWING NO. RESTRICTED TO					
4 PLC ± -		4 PLC ± -	WEIGHT: A1 00779 C=1977156					
ANGLES ± ±		ANGLES ± ±	CUSTOMER DRAWING SCALE: 4:1 SHEET 1 OF 1 REV A					