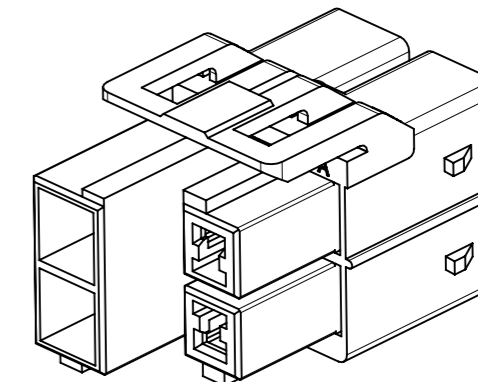
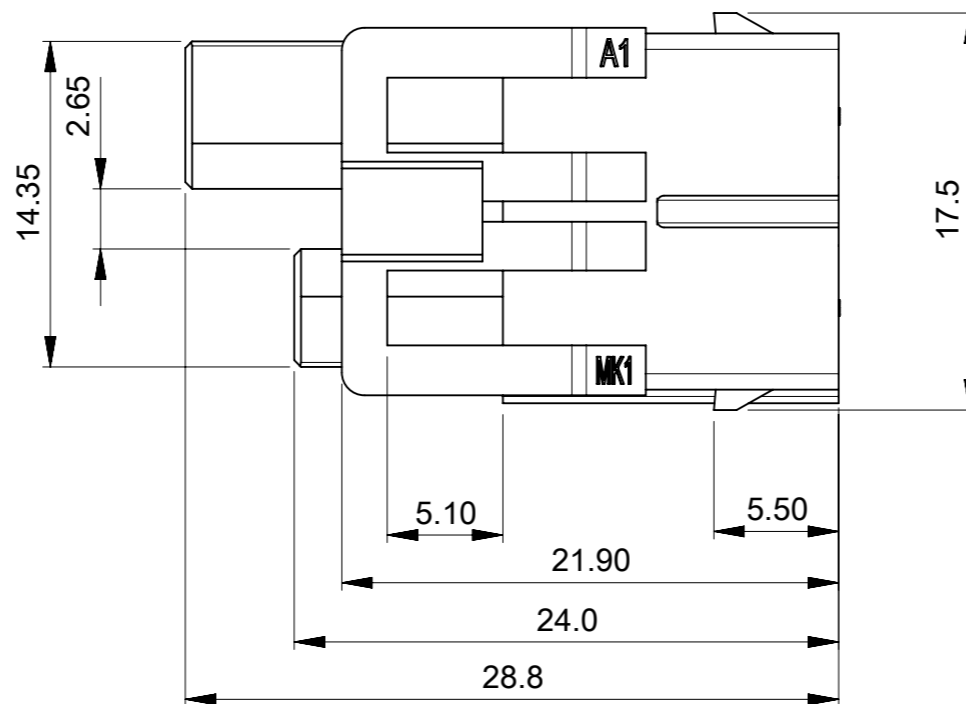
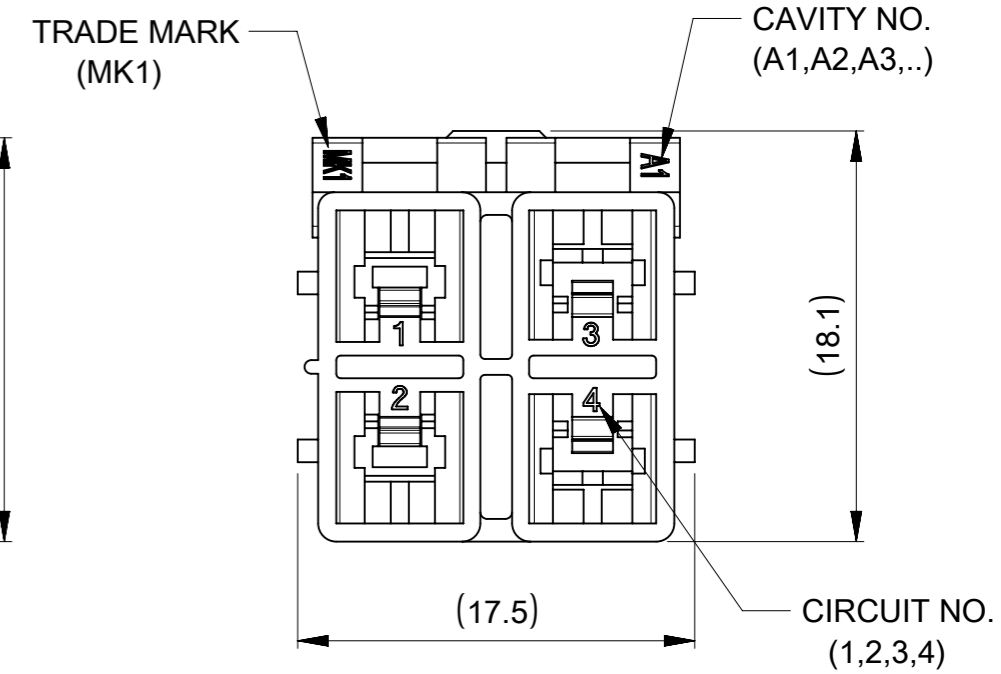
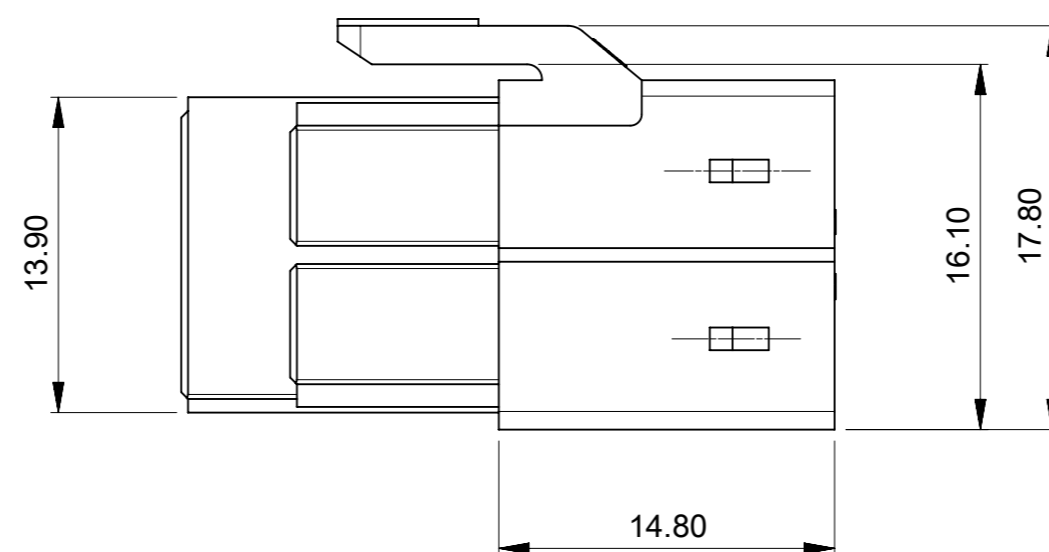
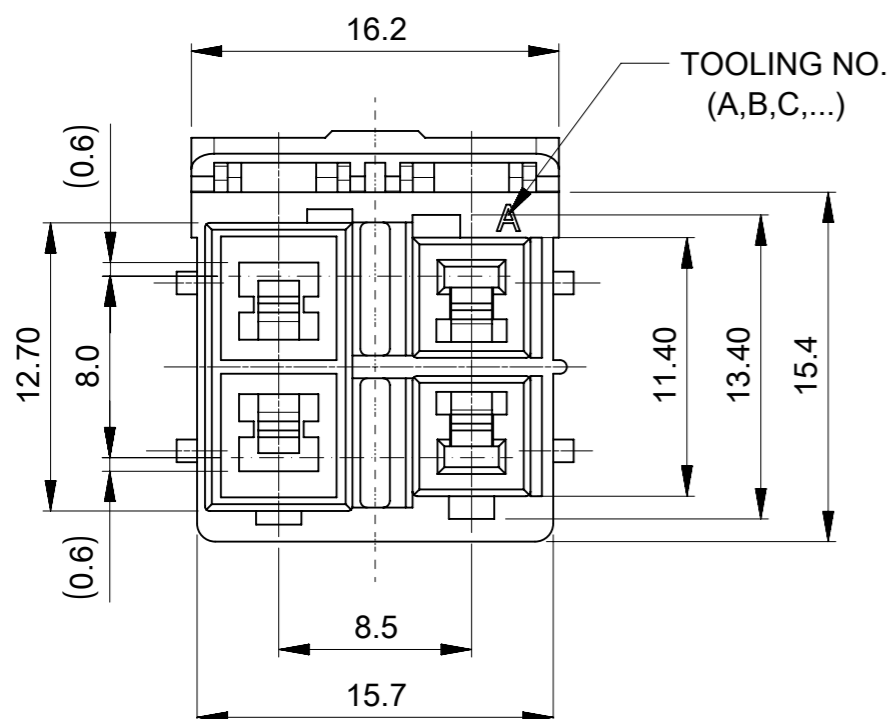


ISOMETRIC VIEW (BACK)
(SCALE=2:1)



ISOMETRIC VIEW (FRONT)
(SCALE=2:1)



NOTES

1. MATERIAL : PC/PET(UL94V-0, UNFILLED G/F)
NATURAL COLOR
(GLOW WIRE CAPABLE HAVING AN IEC GWIT 760 DEGRESS C
FOR THIS PRODUCT)
2. MATED HOUSING : 204102-0609
3. APPLICABLE TPA : 2 Circuits - 35965-029* / 104081-029*
: 3 Circuits - 49547-0392 / 49548-0390 (with HSG -2P : 204102-0209)
4. APPLICABLE TERMINAL
: 35745-0*10(3,4CIRCUIT)
: 35746-0*10(1,2 CIRCUIT)
5. PRODUCT SPECIFICATION : PS-2041020609

SYMBOLS	THIS DRAWING CONTAINS INFORMATION THAT IS PROPRIETARY TO MOLEX ELECTRONIC TECHNOLOGIES, LLC AND SHOULD NOT BE USED WITHOUT WRITTEN PERMISSION		CURRENT REV DESC:		molex
	DIMENSION UNITS	SCALE			
▽ = 0	mm	3:1			PRODUCT CUSTOMER DRAWING
▽ = 0	GENERAL TOLERANCES (UNLESS SPECIFIED)				
▽ = 0	ANGULAR TOL ± 3.0°		EC NO: 644139		DOC TYPE
▽ = 0	4 PLACES ±		DRWN: JDPARK01 2020/07/20		DOC PART
▽ = 0	3 PLACES ±		CHK'D: SCHONG03 2020/09/23		REVISION
▽ = 0	2 PLACES ± 0.3		APPR: JBJIN 2020/09/24		2041020409
▽ = 0	1 PLACE ± 0.3		INITIAL REVISION:		PSD
▽ = 0	0 PLACES ± 0.3		DRWN: JBJIN 2017/04/12		000
■ = 0	DRAFT WHERE APPLICABLE MUST REMAIN WITHIN DIMENSIONS		APPR: YSKIM02 2017/08/02		B
▽ = 0	THIRD ANGLE PROJECTION		DRAWING	SERIES	MATERIAL NUMBER
	A3-SIZE		204102	2041020409	CUSTOMER
			GENERAL MARKET		SHEET NUMBER
					1 OF 1

DOCUMENT STATUS	RELEASE DATE
-----------------	--------------