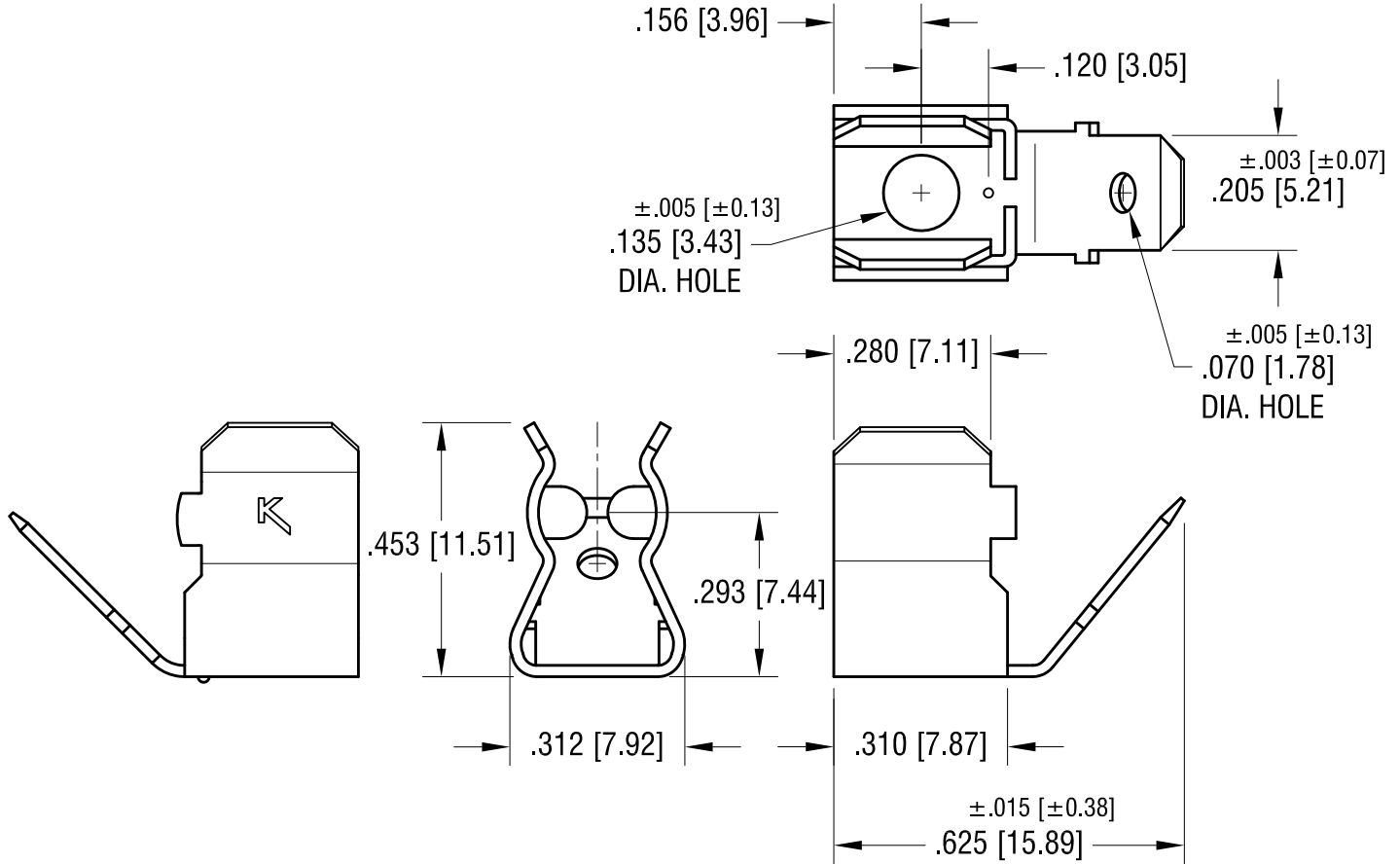
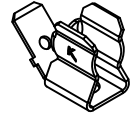


THIS DOCUMENT IS THE PROPERTY OF KEYSTONE ELECTRONICS CORP. AND SHALL NOT BE REPRODUCED, DISTRIBUTED OR USED AS A BASIS FOR MANUFACTURE WITHOUT PRIOR WRITTEN PERMISSION FROM KEYSTONE ELECTRONICS CORP.

**ACTUAL SIZE**



**KEYSTONE ELECTRONICS CORP.**

www.keyelco.com • NEW HYDE PARK, NY 11040 • Tel (516) 328-7500

PART NAME

3AG QUICK-FIT FUSE CLIP

MATERIAL

.020 [0.50] TH'K BRASS

FINISH

NICKEL PLATE

DRN BY

BOONE

DATE

5.23.02

APP'D

LN

SCALE

3X

TOLERANCES

INCH [MM]

DECIMAL ±.010 [±0.25]

CODE

C

ANGULAR ± 1°  
UNLESS OTHERWISE SPECIFIED

DWG NO.

4247

9.12.12 CHANGE AS PER ECN 12-140

B

12.11.09 CHANGE AS PER ECN 09-183

A

DATE

DESCRIPTION

REV.