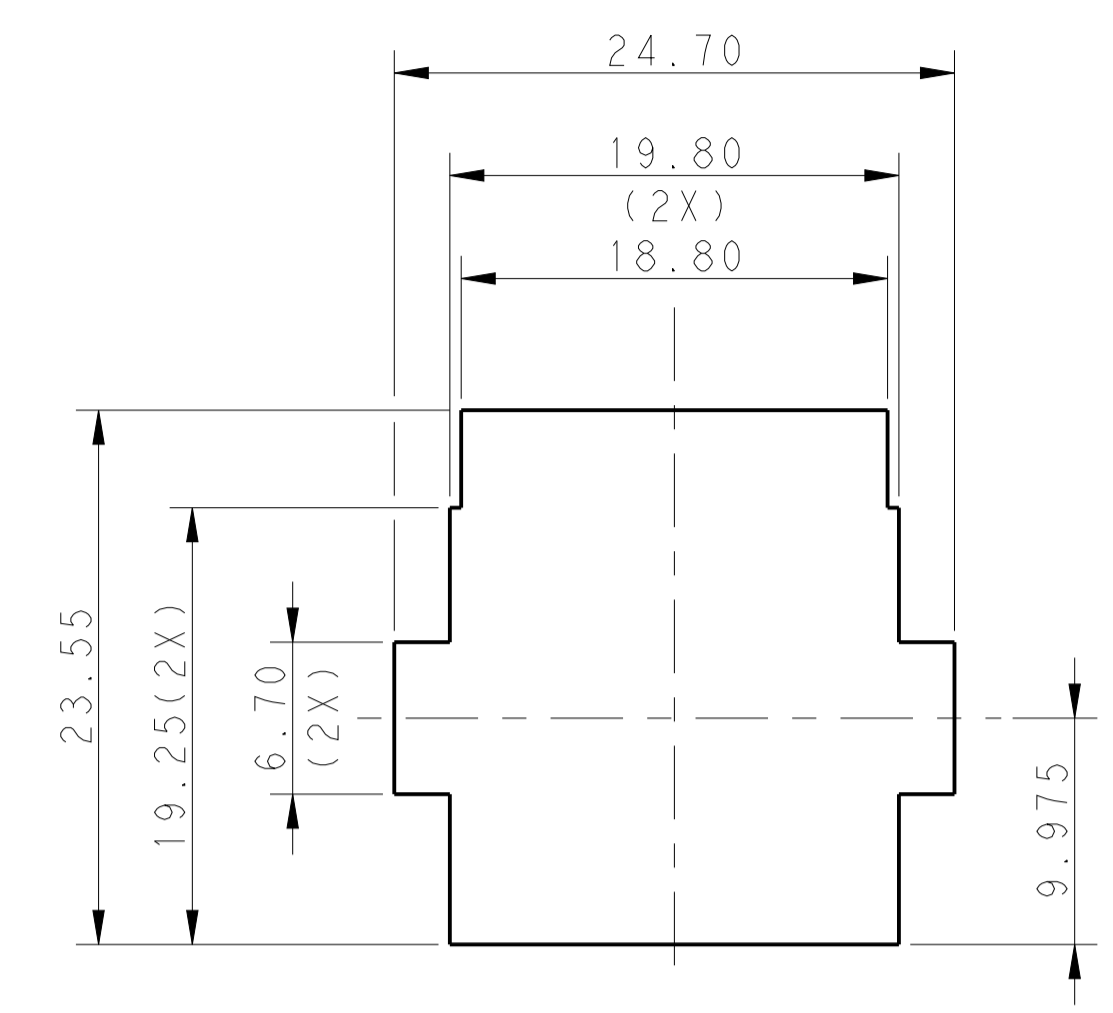
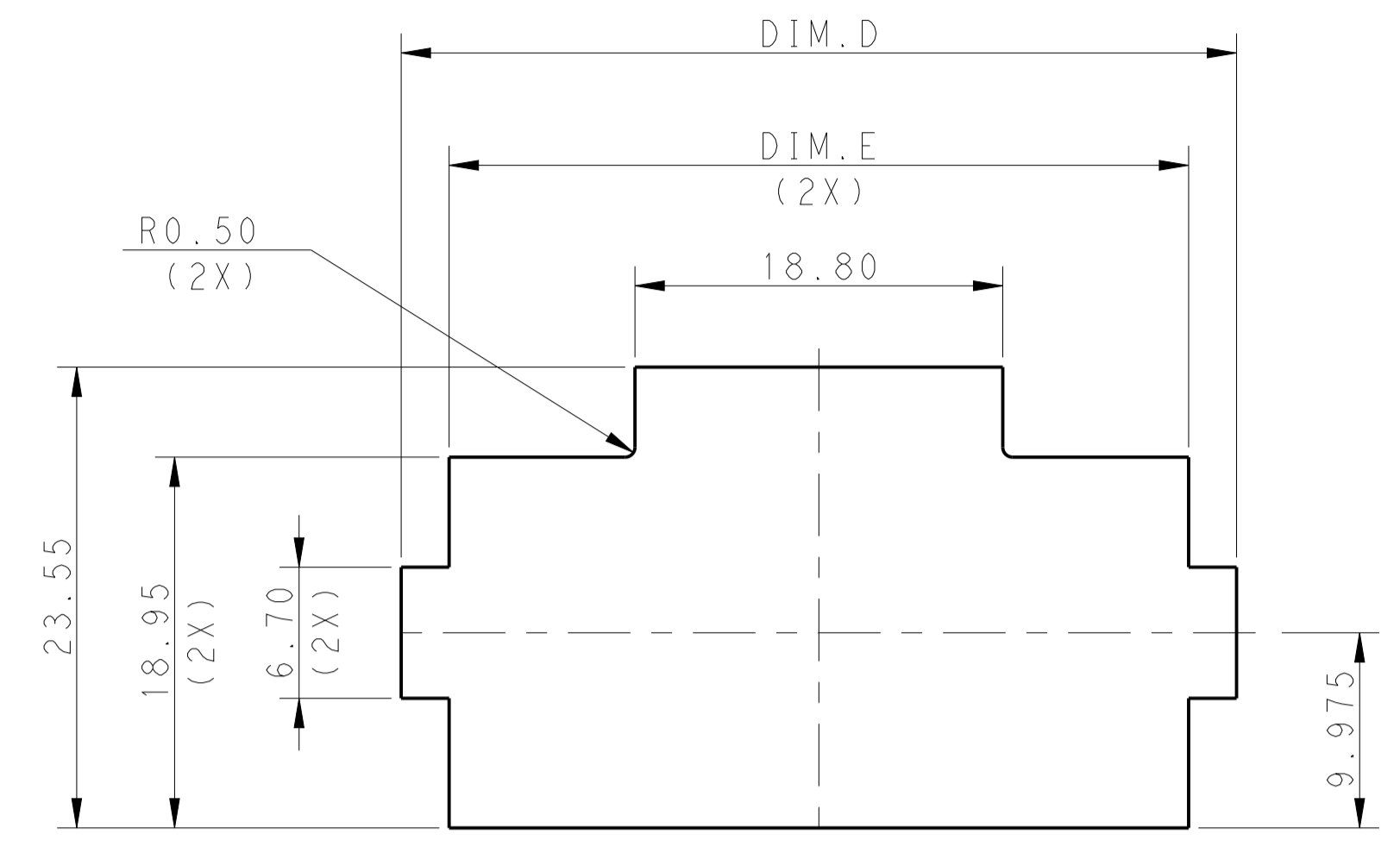
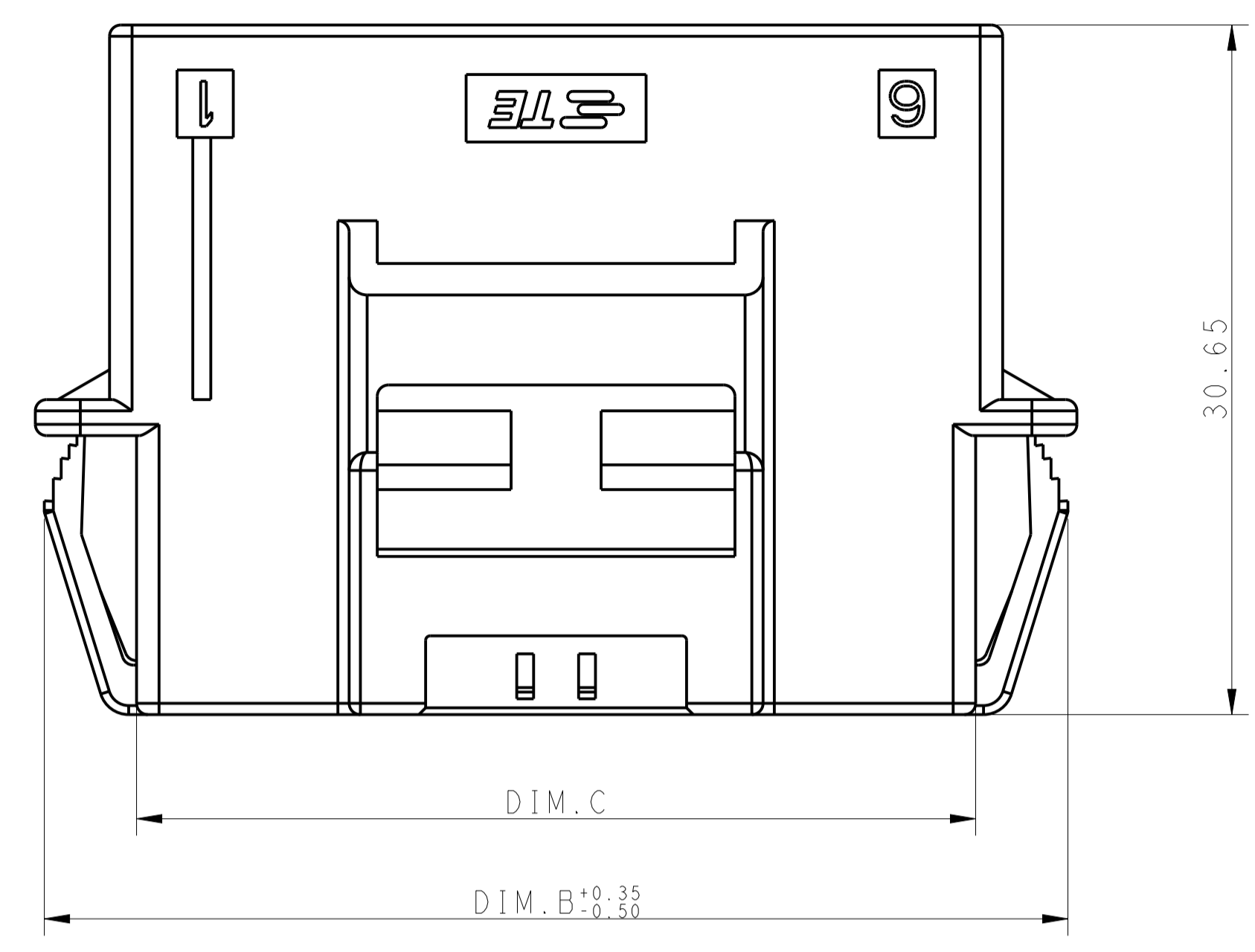
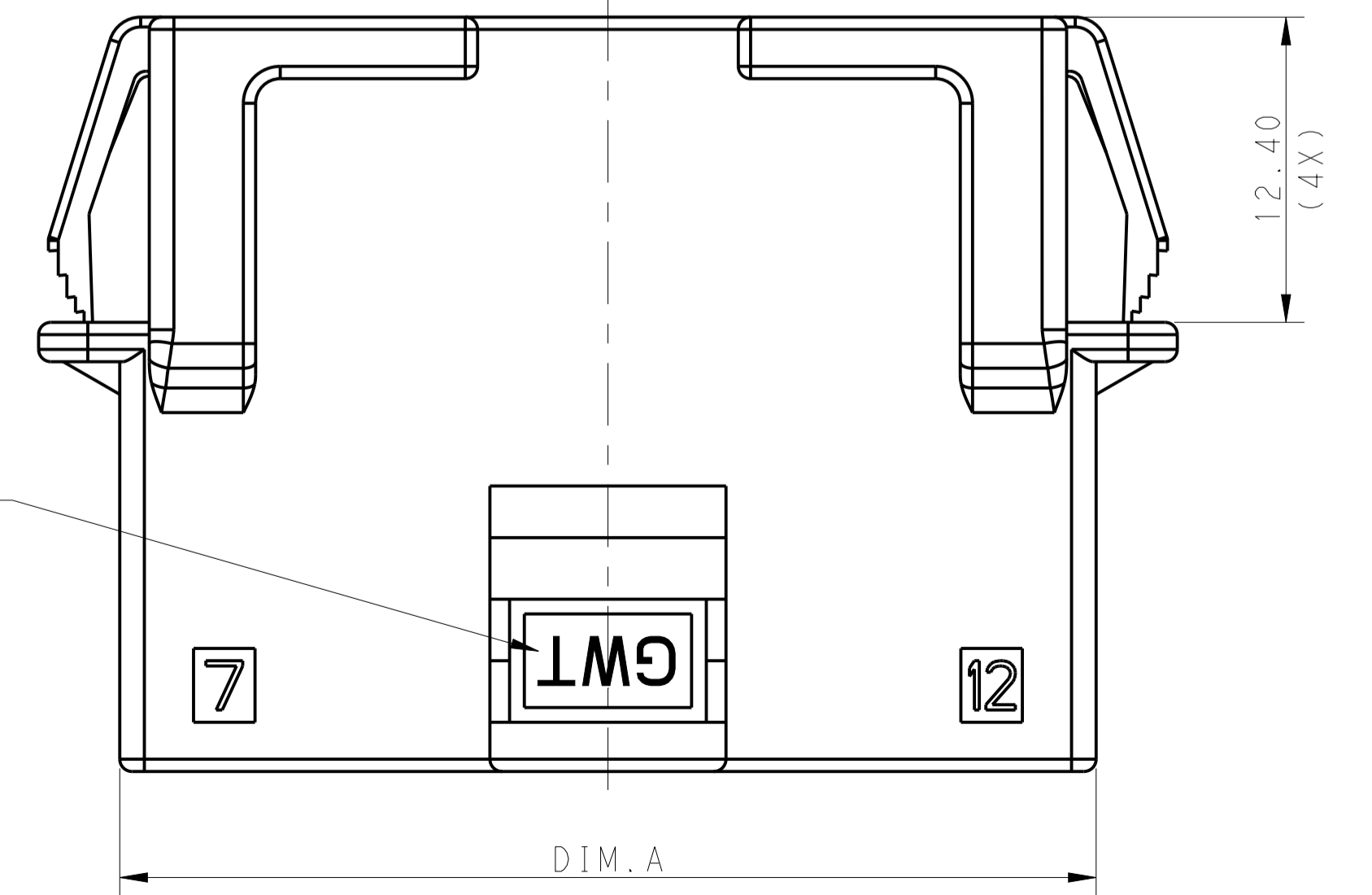
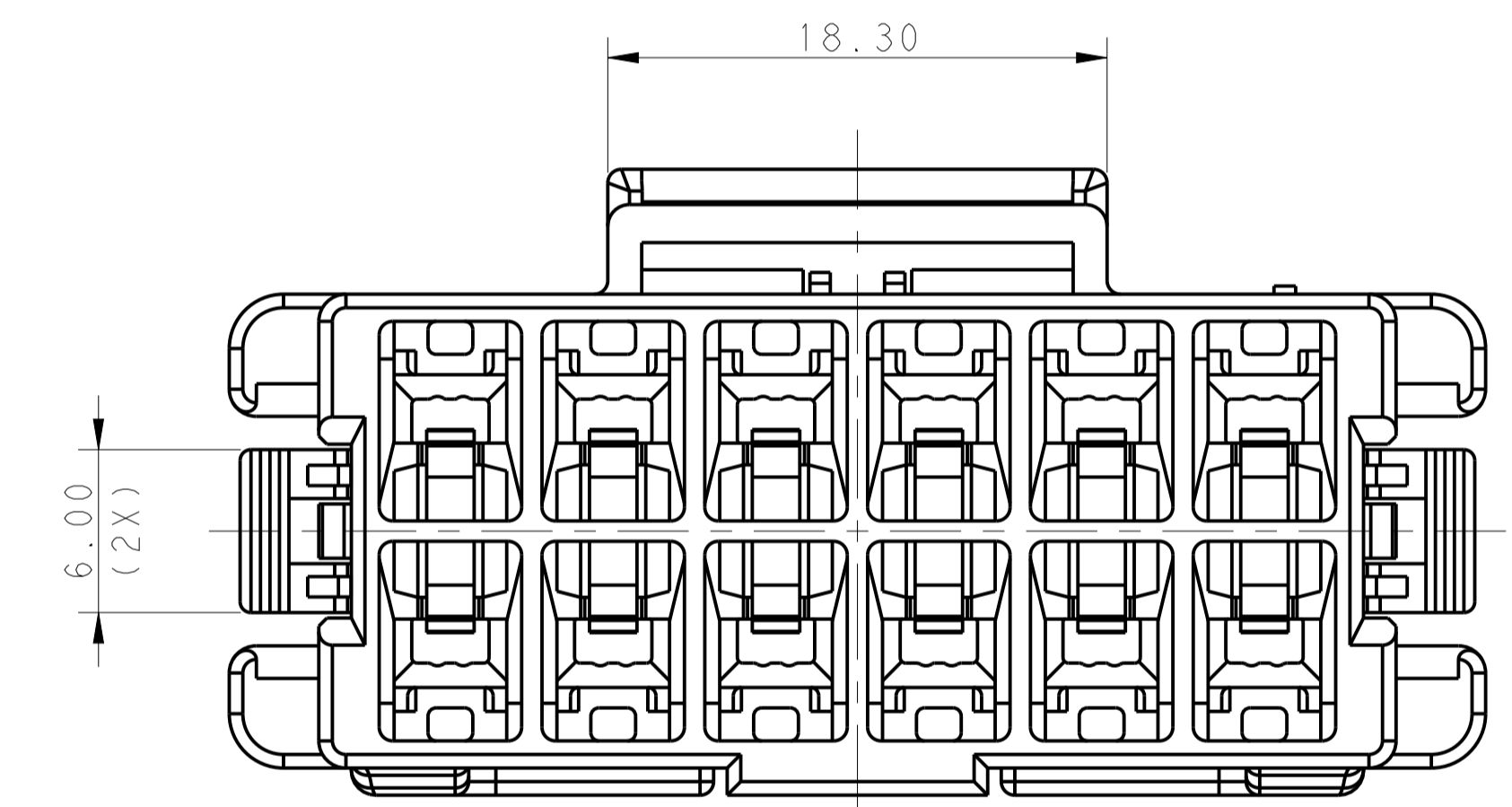
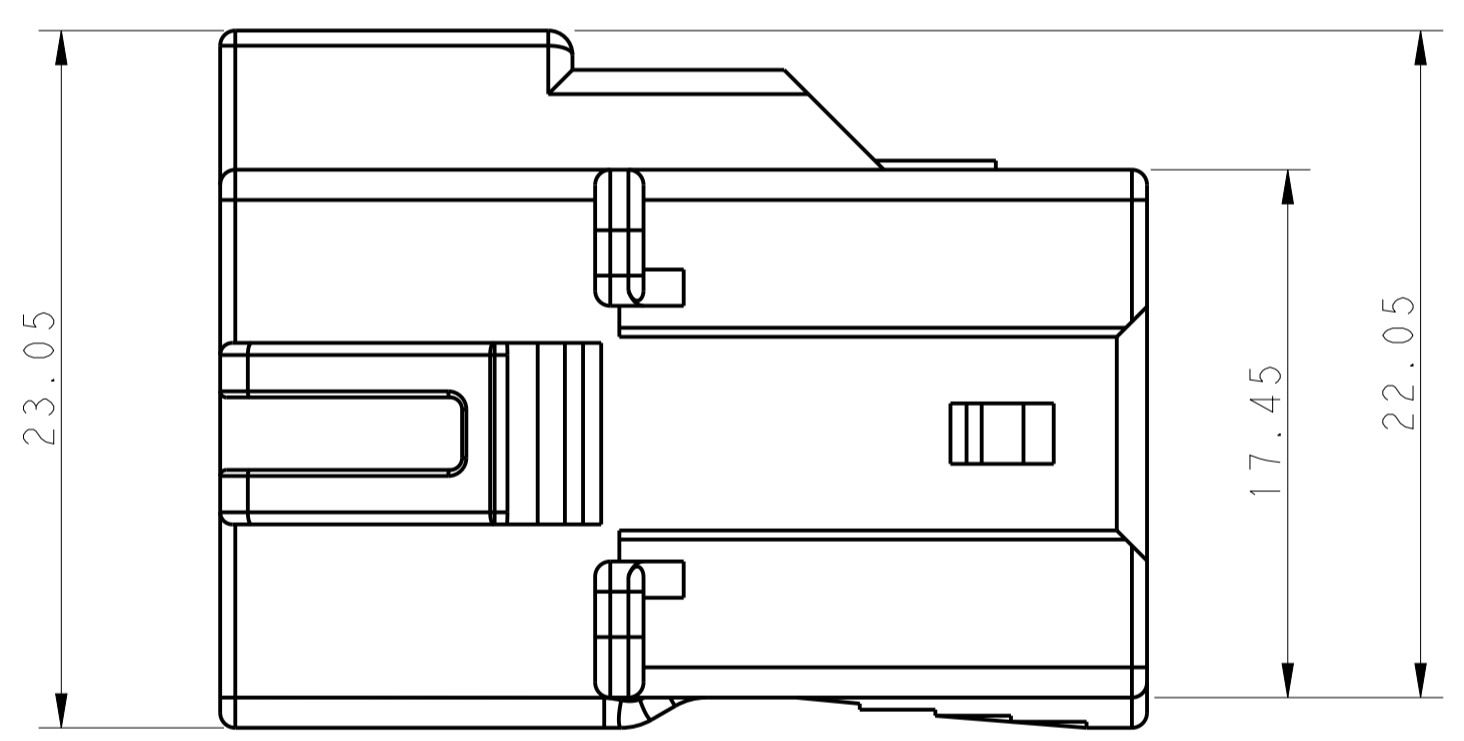
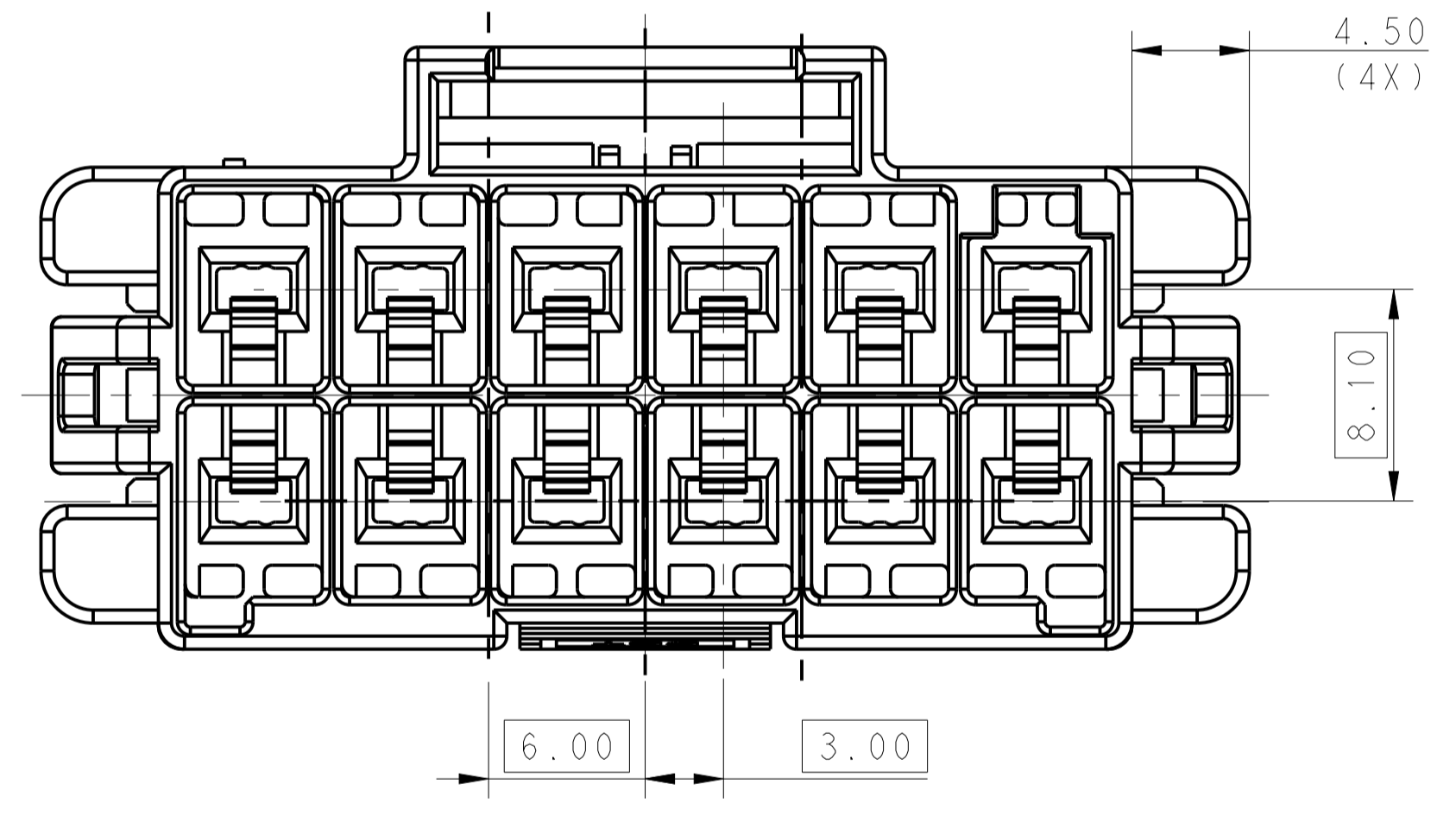


LOC		DIST		REVISIONS				
P	LTN	DESCRIPTION	DATE	DWN	APVD			
C		REVISED PER ECR-21-100678	08APR2021	SS	VS			



RECOMMENDED PANEL OPENING DIMENSIONS FOR CAP HOUSING 2*6 AND 2*5 AND 2*4 POSITIONS (TOLERANCE: ±0.15mm)

RECOMMENDED PANEL OPENING DIMENSIONS FOR CAP HOUSING 2*3 POSITION (TOLERANCE: ±0.15mm)



- MATERIAL:
 LEVEL A: PA6 GLASS FILLED, COMPLY WITH GLOW WIRE REQUIREMENTS FOR PARTS OF NON-METALLIC MATERIAL SUPPORTING A CURRENT-CARRYING CONNECTION DETAILED IN IEC 60335-1, SECTION 30 (GWT), UL 94V-0
 LEVEL B: PBT GLASS FILLED, HOT WIRE IGNITION (HWI) VERSION ARE MOLDED IN A RESIN THAT COMPLIES WITH TE PENDING HOT WIRE IGNITION TEST AND ARE RECOMMENDED FOR USE WITH HWI HOUSINGS THAT ALSO COMPLY, UL 94V-0

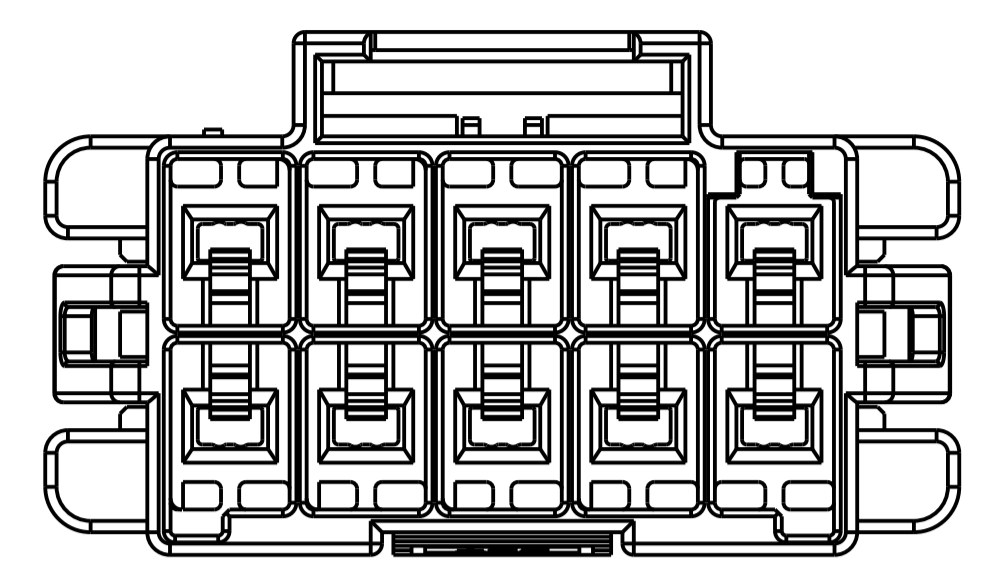
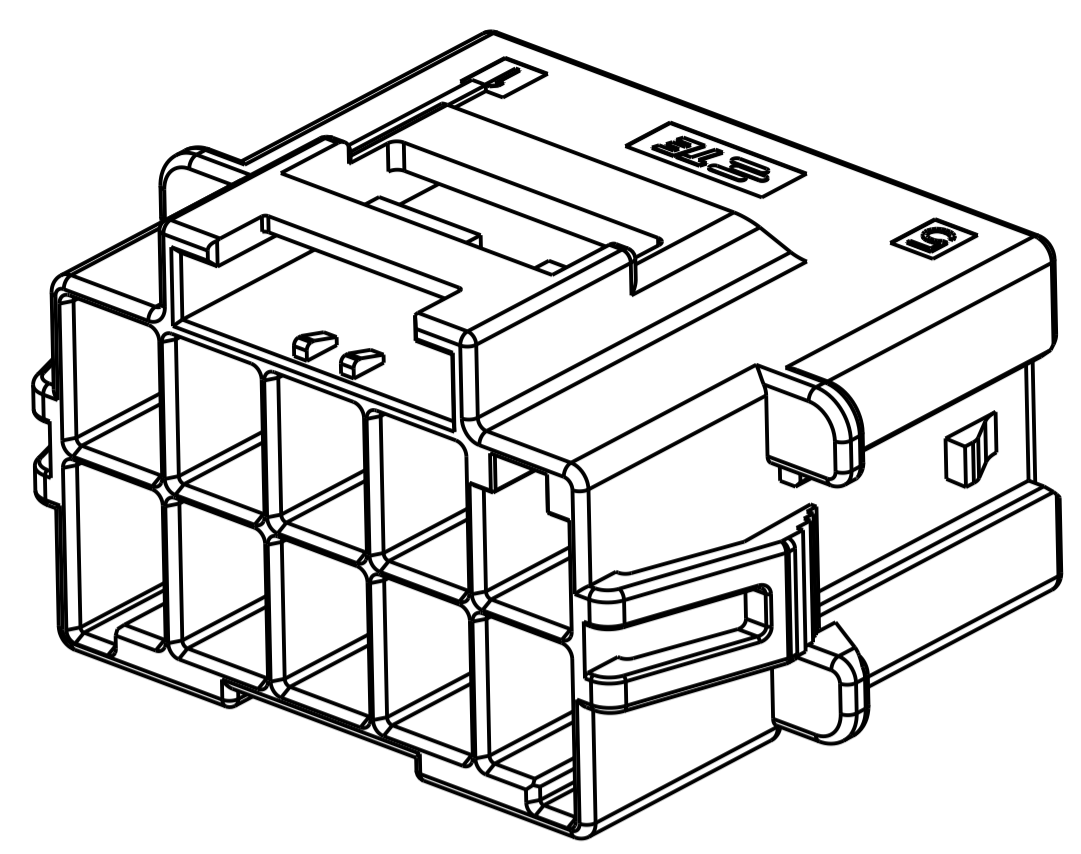
MATERIAL MARK:
 LEVEL A:GWT, LEVEL B:HWT

- APPLICABLE CONTACT P/N
 TAB CONTACT: 1971238/1971780/82/84/86/88-*, 2238067-*, *-2324732-*
- MATING CONN, P/N
 PLUG HSG: *-2232266-*,
 TPA (LOCK PLATE): *-1971778-*
- RECOMMENDED PANEL THICKNESS: 1.0~2.0mm

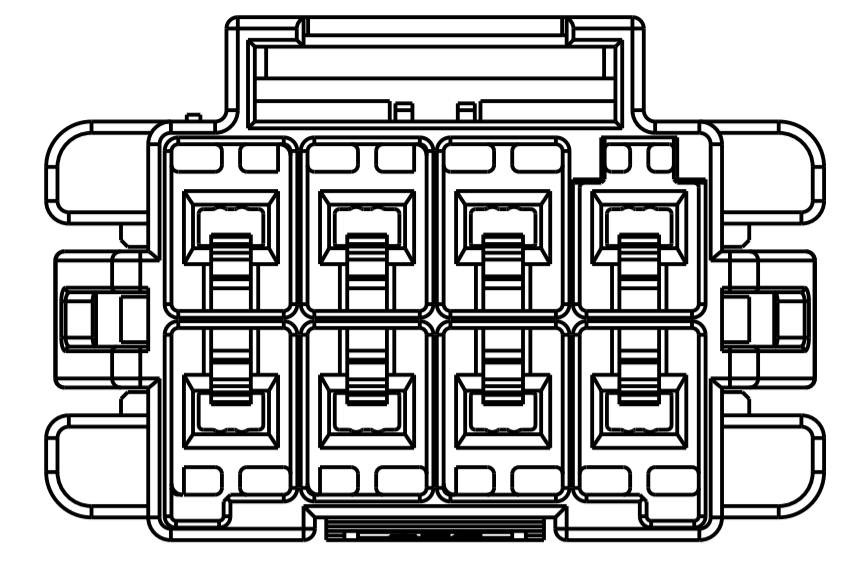
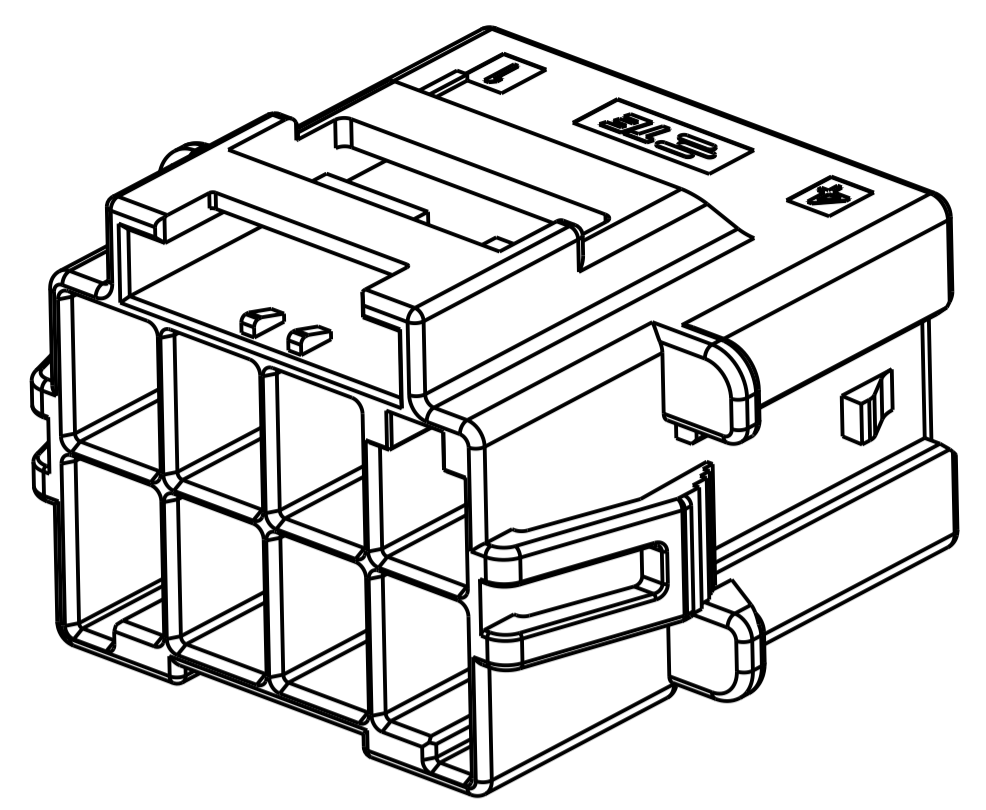
POS	A	B	C	D	E
2*6	39.70	45.5	37.30	42.70	37.80
2*5	33.70	39.5	31.30	36.70	31.80
2*4	27.70	33.5	25.30	30.70	25.80
2*3	21.70	27.5	19.30		

THIS DRAWING IS A CONTROLLED DOCUMENT.		DWN: TOMMY WU 26MAR2013	TE Connectivity
DIMENSIONS: mm		CHK: HAPYE WU 26MAR2013	
TOLERANCES UNLESS OTHERWISE SPECIFIED:		APVD: YUZHONG MAO 26MAR2013	NAME: CAP HOUSING, PANEL MOUNT, DOUBLE ROW POWER TRIPLE LOCK SIZE: CAGE CODE DRAWING NO: A100779 WEIGHT: 2232264
0 PLC ± 1 PLC ±0.35 2 PLC ±0.25 3 PLC ± 4 PLC ± ANGLES ±		PRODUCT SPEC: 108-106118 APPLICATION SPEC: 114-106118	
MATERIAL: FINISH:		RESTRICTED TO: Customer Drawing	SCALE: SHEET 1 OF 2 REV C

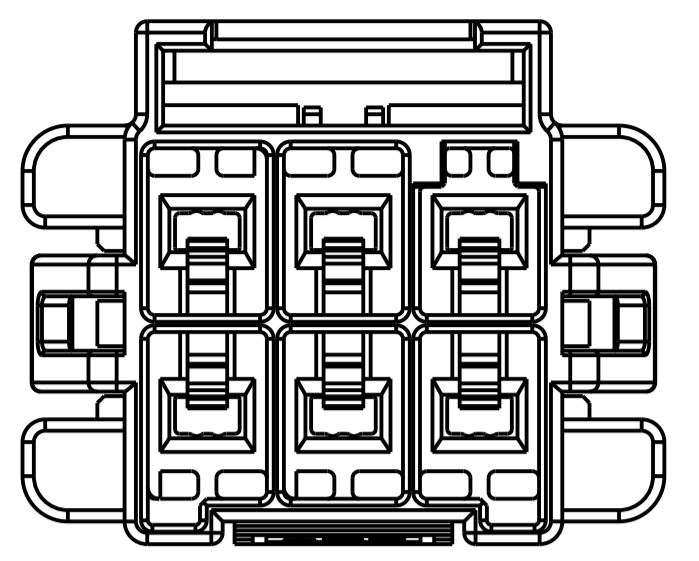
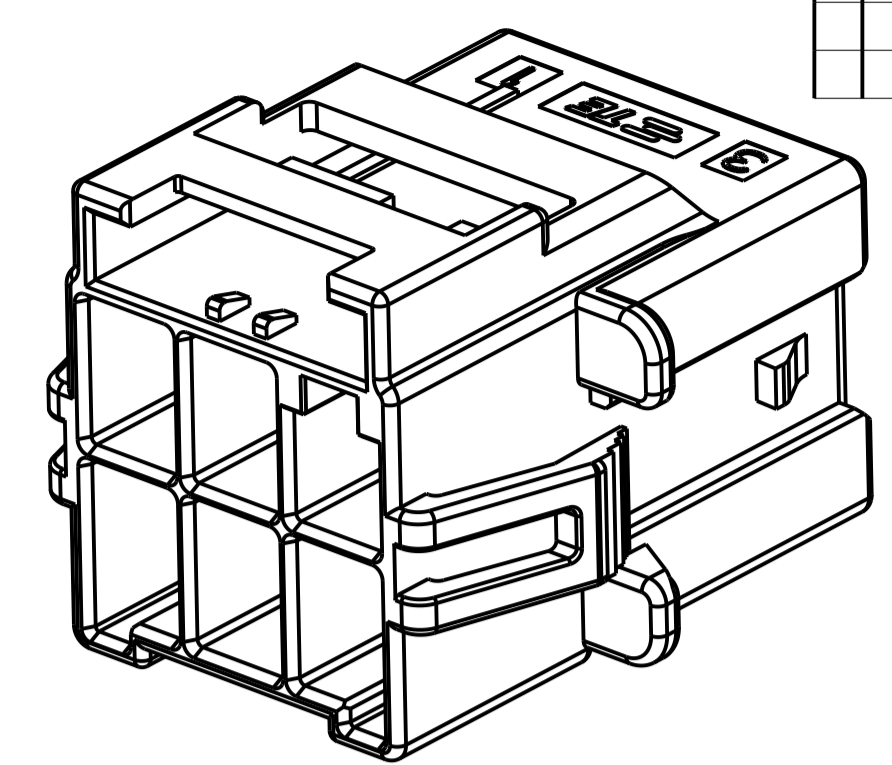
REVISONS		DATE	OWN	APVD
LOC	DIST			
DESCRIPTION				
SEE SHEET 1				



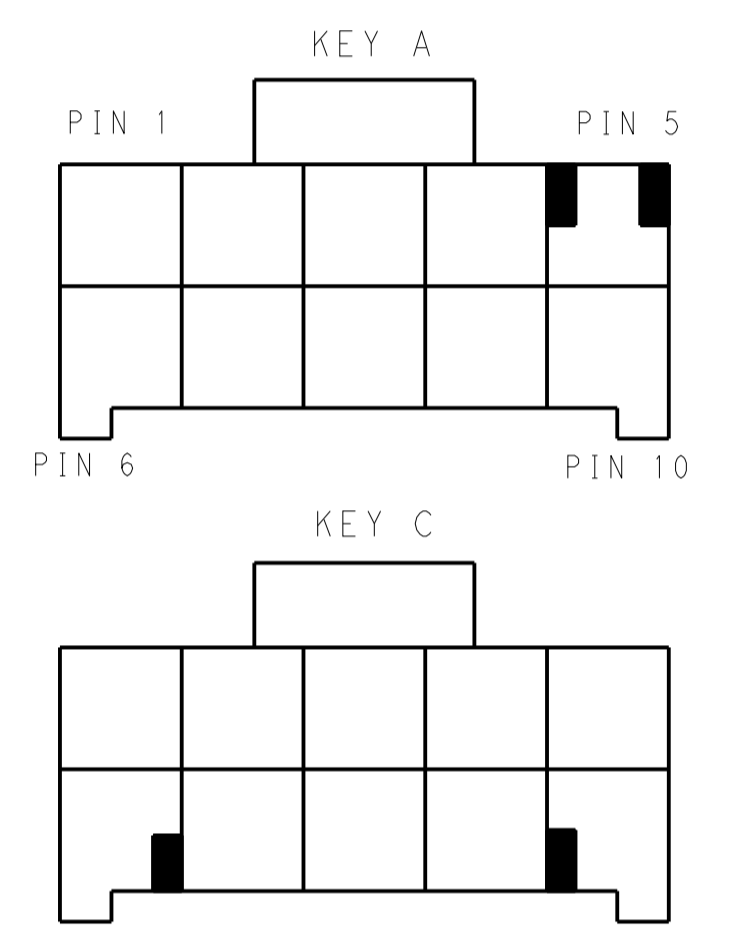
2*5 POSITIONS



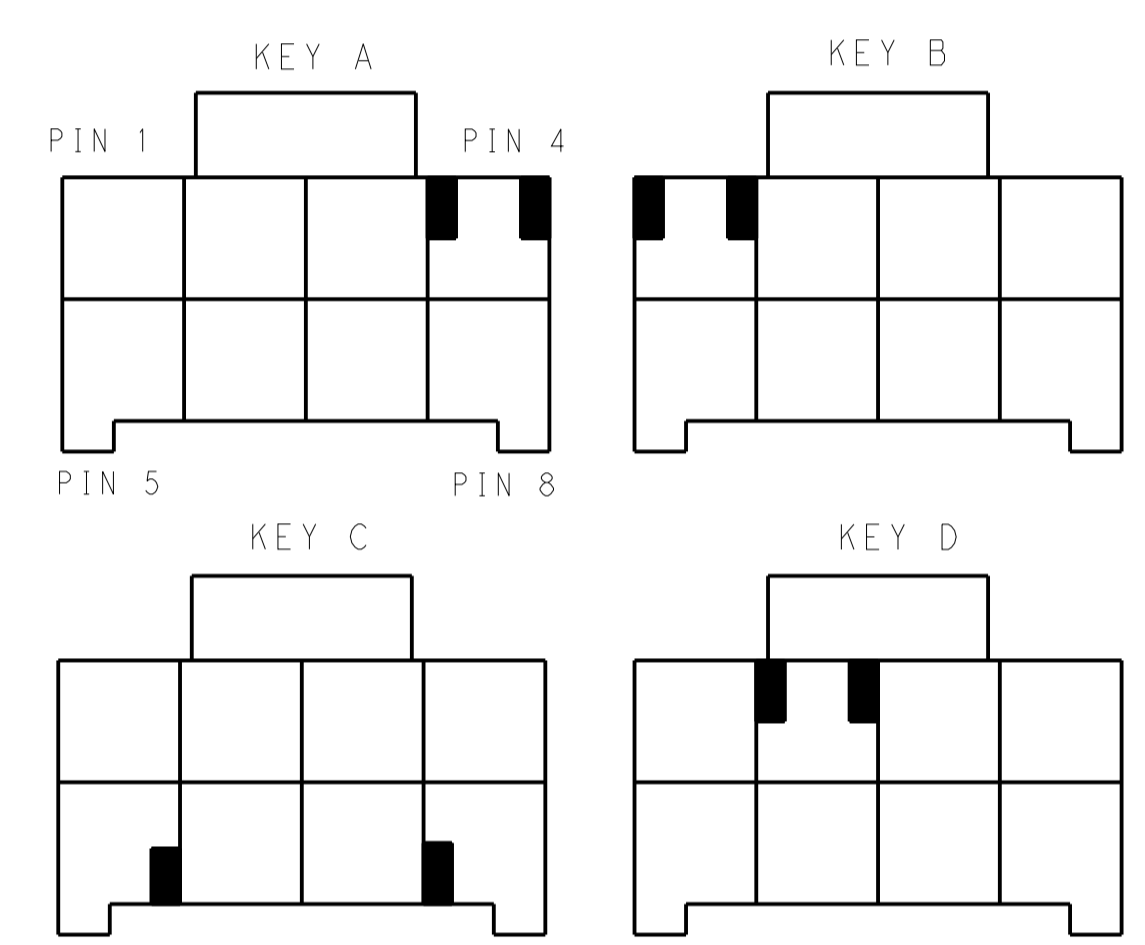
2*4 POSITIONS



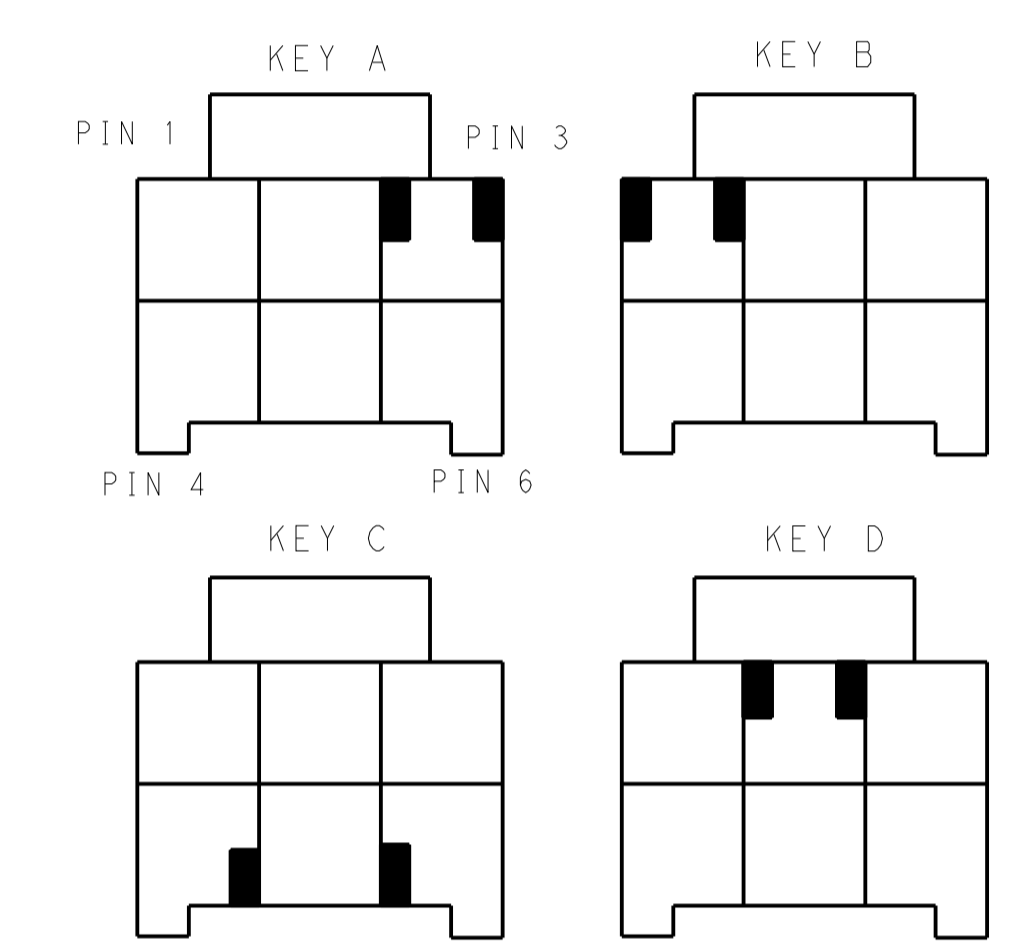
2*3 POSITIONS



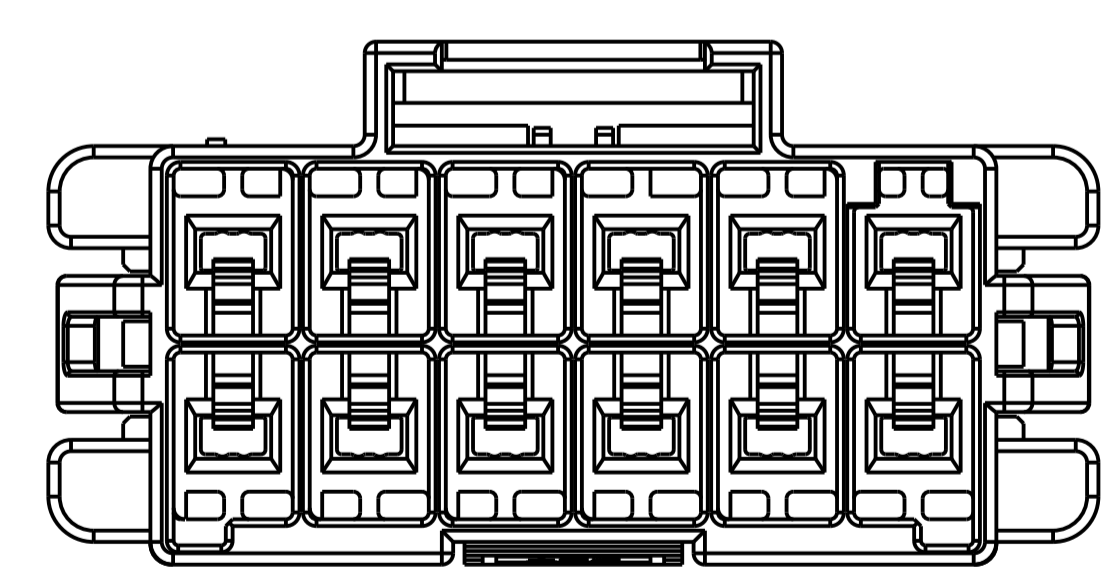
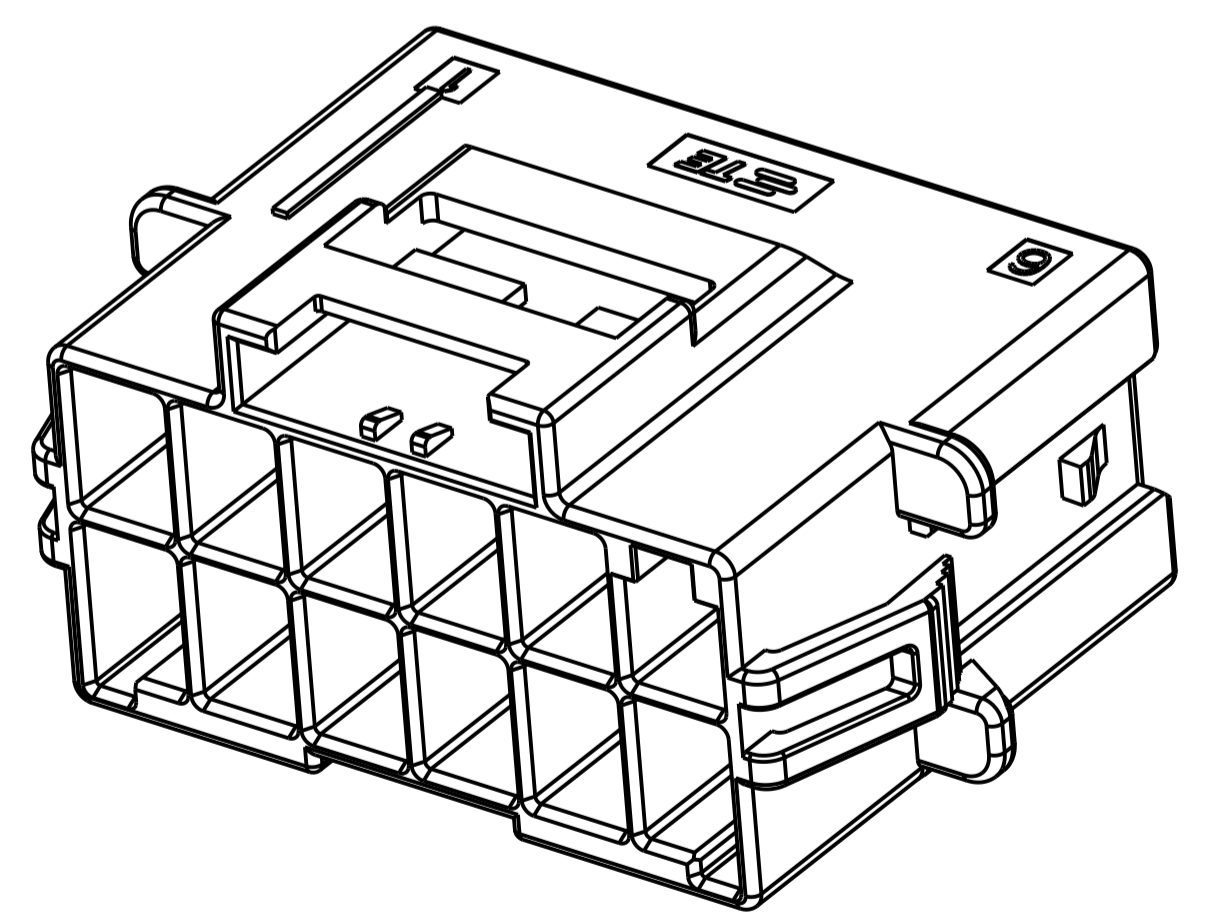
KEYING FOR 2*5 POS.



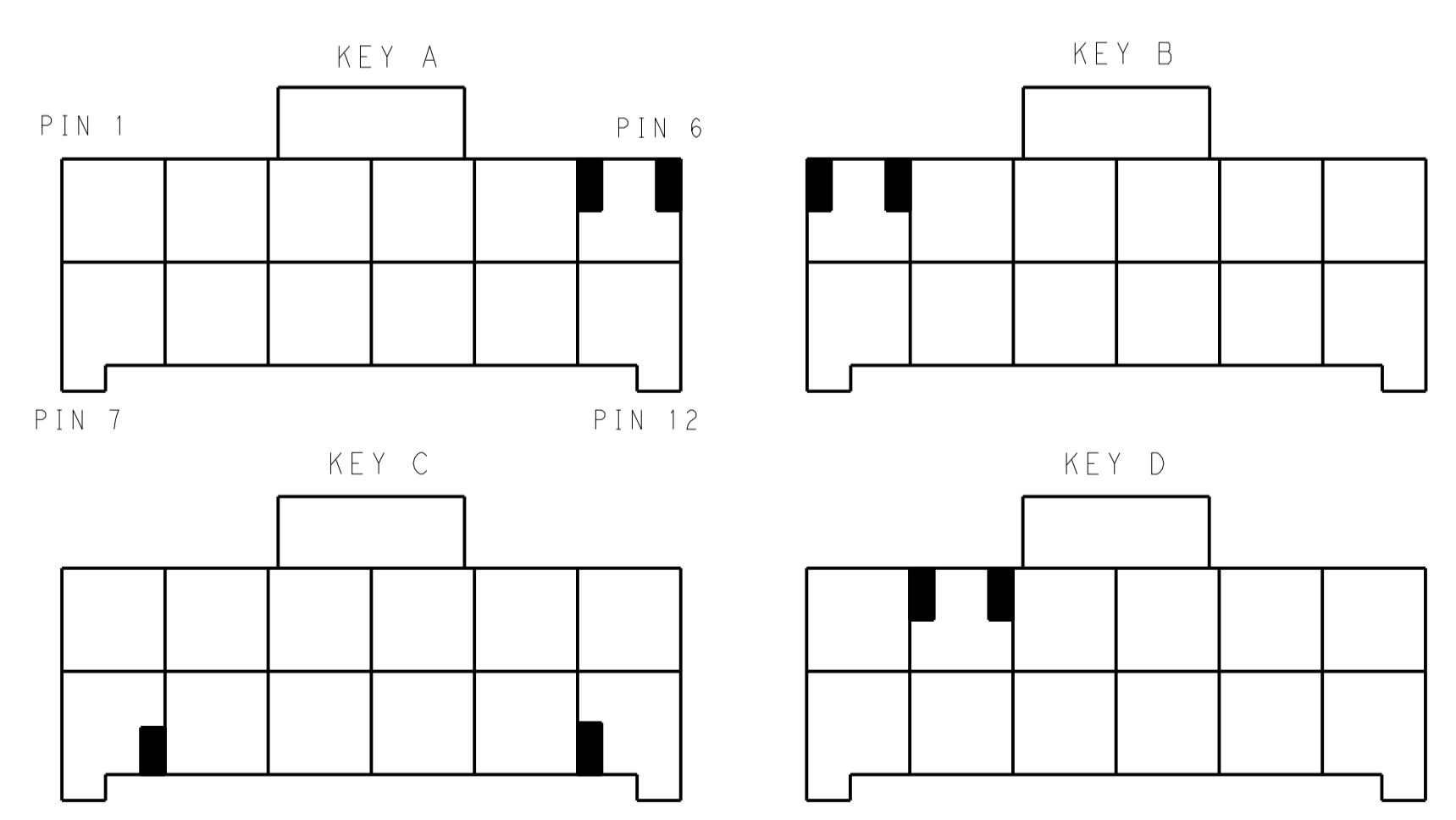
KEYING FOR 2*4 POS.



KEYING FOR 2*3 POS.



2*6 POSITIONS



KEYING FOR 2*6 POS.

POS.	MATERIAL	COLOR	KEY	P/N
2*6	LEVEL A	DARK GREY	KEY A	5-2232264-6
		BROWN	KEY B	6-2232264-6
		GREEN	KEY C	7-2232264-6
		ORANGE	KEY D	8-2232264-6
2*5	LEVEL A	DARK GREY	KEY A	5-2232264-5
		BROWN	KEY B	6-2232264-5
		GREEN	KEY C	7-2232264-5
		ORANGE	KEY D	8-2232264-5
2*4	LEVEL A	DARK GREY	KEY A	5-2232264-4
		BROWN	KEY B	6-2232264-4
	LEVEL B	GREEN	KEY C	7-2232264-4
		ORANGE	KEY D	8-2232264-4
2*3	LEVEL A	BLACK	KEY A	1-2232264-4
		DARK GREY	KEY A	5-2232264-3
		BROWN	KEY B	6-2232264-3
		GREEN	KEY C	7-2232264-3
LEVEL B	ORANGE	KEY D	8-2232264-3	
	BLACK	KEY A	1-2232264-1	

THIS DRAWING IS A CONTROLLED DOCUMENT. OWN: TOMMY_WU 26MAR2013. CHK: HAPYE_WU 26MAR2013. APVD: YUZHONG_MAO 26MAR2013.

DIMENSIONS: mm. TOLERANCES UNLESS OTHERWISE SPECIFIED: 0 PLC ±.1, 1 PLC ±0.35, 2 PLC ±0.25, 3 PLC ±.1, 4 PLC ±.1, ANGLES ±.

MATERIAL: -. FINISH: -. WEIGHT: -. SCALE: -. SHEET 2 OF 2. REV C.

Customer Drawing. SIZE: A1. CAGE CODE: 100779. DRAWING NO: 2232264.

STE TE Connectivity. NAME: CAP HOUSING, PANEL MOUNT, DOUBLE ROW POWER TRIPLE LOCK.