

**PLEASE CHECK WWW.MOLEX.COM FOR LATEST PART INFORMATION**

**Part Number:** [0747370004](#)  
**Status:** **Active**  
**Overview:** SFP+ and SFP Interconnect Solutions  
**Description:** SFP One Piece Cage, EMI Shielding, 2.29mm Press-Fit Tails, Belly-to-Belly

**Documents:**

|   |  |
|---|--|
| <a href="#">3D Model</a>                                      | <a href="#">Product Specification PS-74737-8001-001 (PDF)</a>    |
| <a href="#">Drawing (PDF)</a>                                 | <a href="#">Application Specification AS-74737-001-001 (PDF)</a> |
| <a href="#">3D Model (PDF)</a>                                | <a href="#">Packaging Specification 747370004-PK (PDF)</a>       |
| <a href="#">Product Specification PS-74737-0010-001 (PDF)</a> | <a href="#">RoHS Certificate of Compliance (PDF)</a>             |

**Application tooling part link**

|                               |            |
|-------------------------------|------------|
| Application Tooling Part Link | 62202-9745 |
| Application Tooling Part Link | 62202-9750 |

**General**

|                |   |
|----------------|---|
| Product Family | EMI Cages   |
| Series         | <a href="#">74737</a>                               |
| Application    | Module-to-Board                                     |
| Comments       | Belly-to-Belly                                      |
| Component Type | Cage Assembly                                       |
| Overview       | <a href="#">SFP+ and SFP Interconnect Solutions</a> |
| Product Name   | SFP   |
| UPC            | 822348520930  |

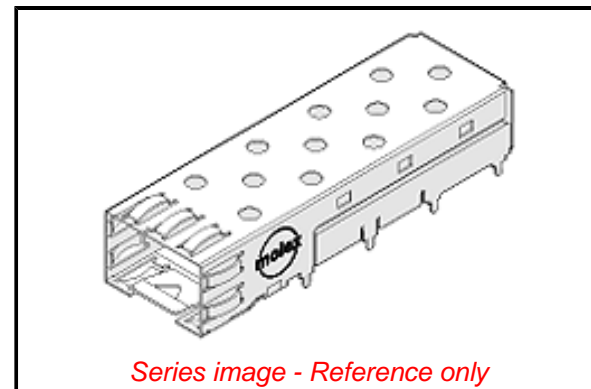
**Physical**

|                              |                              |
|------------------------------|------------------------------|
| EMI Panel / Bezel Mount      | Spring Fingers               |
| Light Pipes per Port         | 0                            |
| Material - Metal             | Copper Alloy                 |
| Net Weight                   | 4.367/g                      |
| Orientation                  | Horizontal                   |
| Packaging Type               | Tray                         |
| Port Configuration           | 1x1                          |
| Rear Legs                    | 1                            |
| Termination Interface: Style | Through Hole - Compliant Pin |
| Thermal Height               | N/A                          |
| Thermal Solutions            | Closed Top                   |

**Material Info**

**Reference - Drawing Numbers**

|                           |                                      |
|---------------------------|--------------------------------------|
| Application Specification | AS-74737-001-001                     |
| Packaging Specification   | 747370004-PK                         |
| Product Specification     | PS-74737-0010-001, PS-74737-8001-001 |



Series image - Reference only

**EU ELV**

**Compliant**

**EU RoHS**

**Compliant**

**REACH SVHC**

Not Contained Per -  
D(2021)10043-DC (17  
Jan 2022)

**Halogen-Free**

**Status**

**Low-Halogen**

For more information, please visit [Contact US](#)

China ROHS

ELV

RoHS Phthalates

**China RoHS**

Green Image

Compliant

Not Contained

**Search Parts in this Series**

[74737](#) Series

**Mates With**

[74720](#) SFP Copper Module, [73929](#) SFP Cable Assembly, Passive, 2 Gbps, [73930](#) SFP Cable Assembly, Active, 2 Gbps, [74742](#) SFP Cable Assembly, Passive, 4 Gbps, [74743](#) SFP Cable Assembly, Active, 4 Gbps

**Use With**

[74441](#) Connector