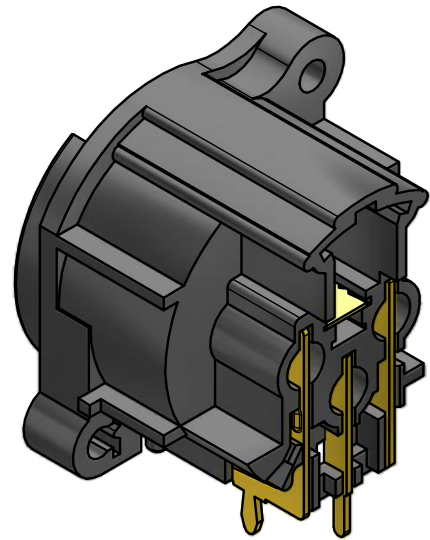
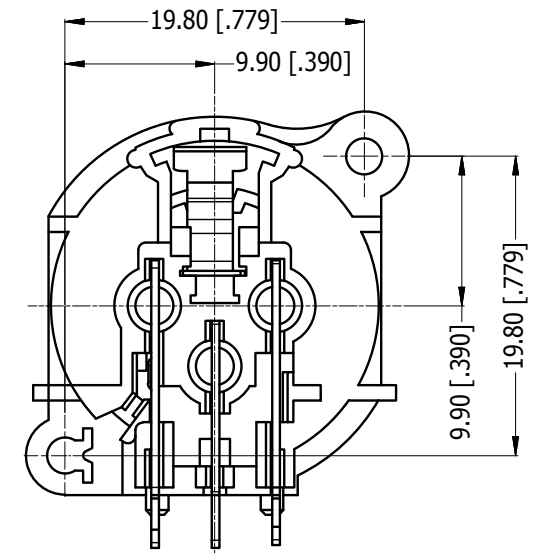
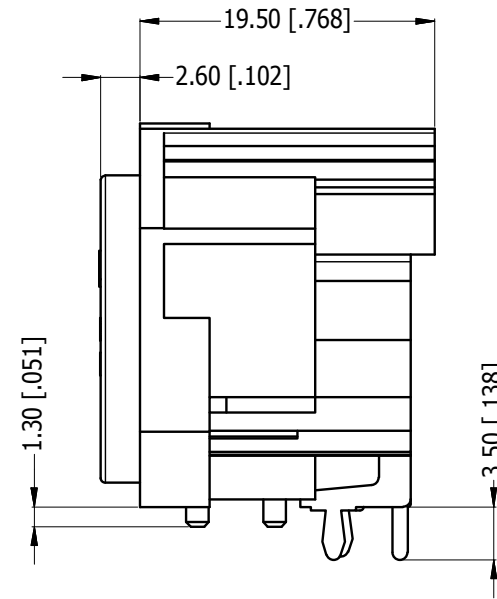
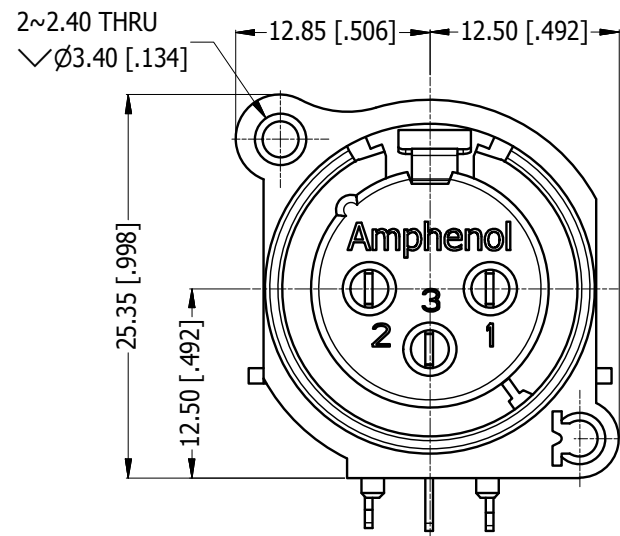
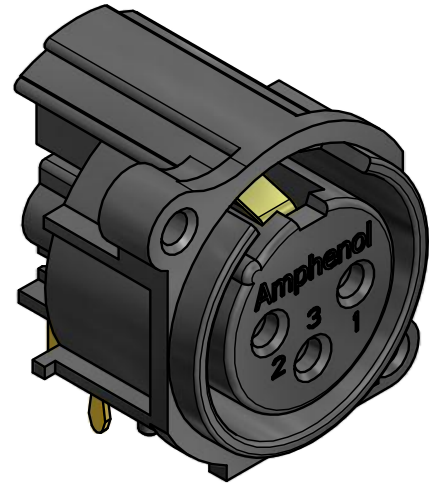
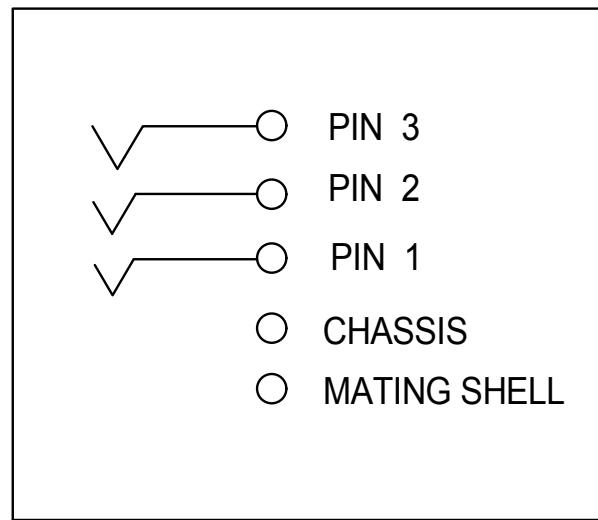


LEGEND = KEY PRODUCT CHARACTERISTICS

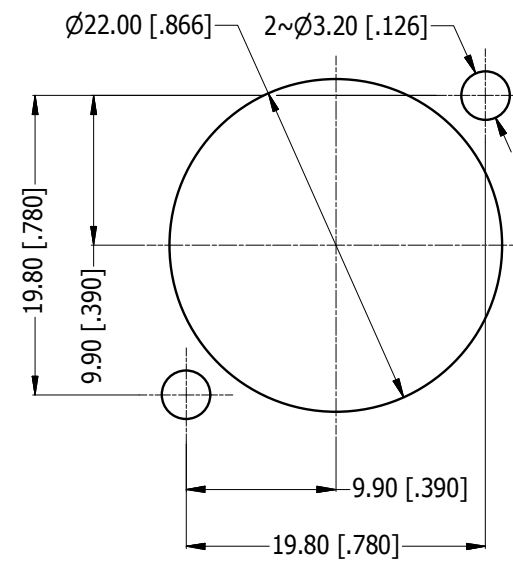
REVISION HISTORY				
REV	DESCRIPTION	DATE	BY	CHG/No
0	FIRST ISSUE	08/10/2014	MH	---



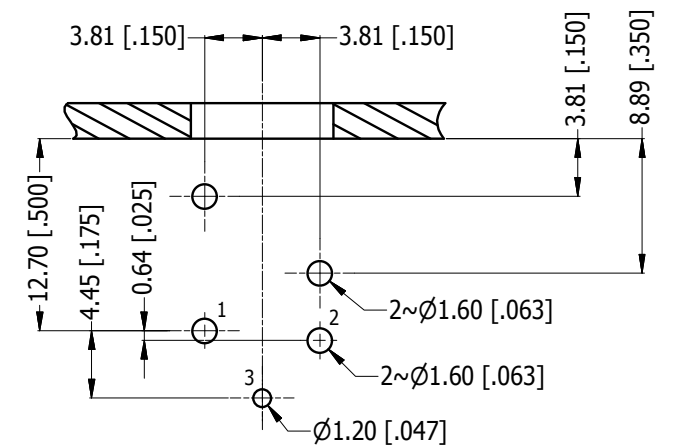
ISO VIEW



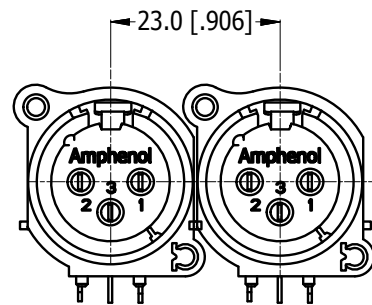
SCHMATIC CHART



PANEL CUT OUT
REAR VIEW



PCB-LAYOUT
COMPONENT SIDE
TOLERANCE: $\pm 0.05\text{mm} [0.002"]$



MIN MOUNTING PITCH
SCALE 1:1

UNLESS OTHERWISE SPECIFIED TOLERANCE TO BE		THIS DOCUMENT IS THE PROPERTY OF AMPHENOL AUSTRALIA PTY. LTD. NO PART THEREOF MAY BE REPRODUCED AND USED WITHOUT THE PRIOR WRITTEN CONSENT OF THE OWNER				Amphenol Amphenol Australia Pty.Ltd, 22 Industry Blvd, Carrum Downs, VIC 3201	
LINEAR		ANGULAR		MATERIAL: REFER TO COMPONENT	DRN: MH	DATE: 08/10/2014	TITLE: LATCHLESS HORIZONTAL FEMALE CUSTOMER DRAWING
X ±0.5	X' ±1	X.X' ±30'		CKD: M.H	DATE: 08/10/2014	PART No: AC3FAHL-AU-PRE	
X.XX ±0.2	X.X' ±15'	X.XXX ±0.1		APP'D: P.M	DATE: 08/10/2014	DRAWING NO. 55011037-000-2	SHEET 2/2
DO NOT SCALE		FINISH: REFER TO COMPONENT		SCALE: 2:1	SIZE: A3	CAD FILE 55011037000220	
DIMENSIONS IN MILLIMETRES		THIRD ANGLE PROJECTION					