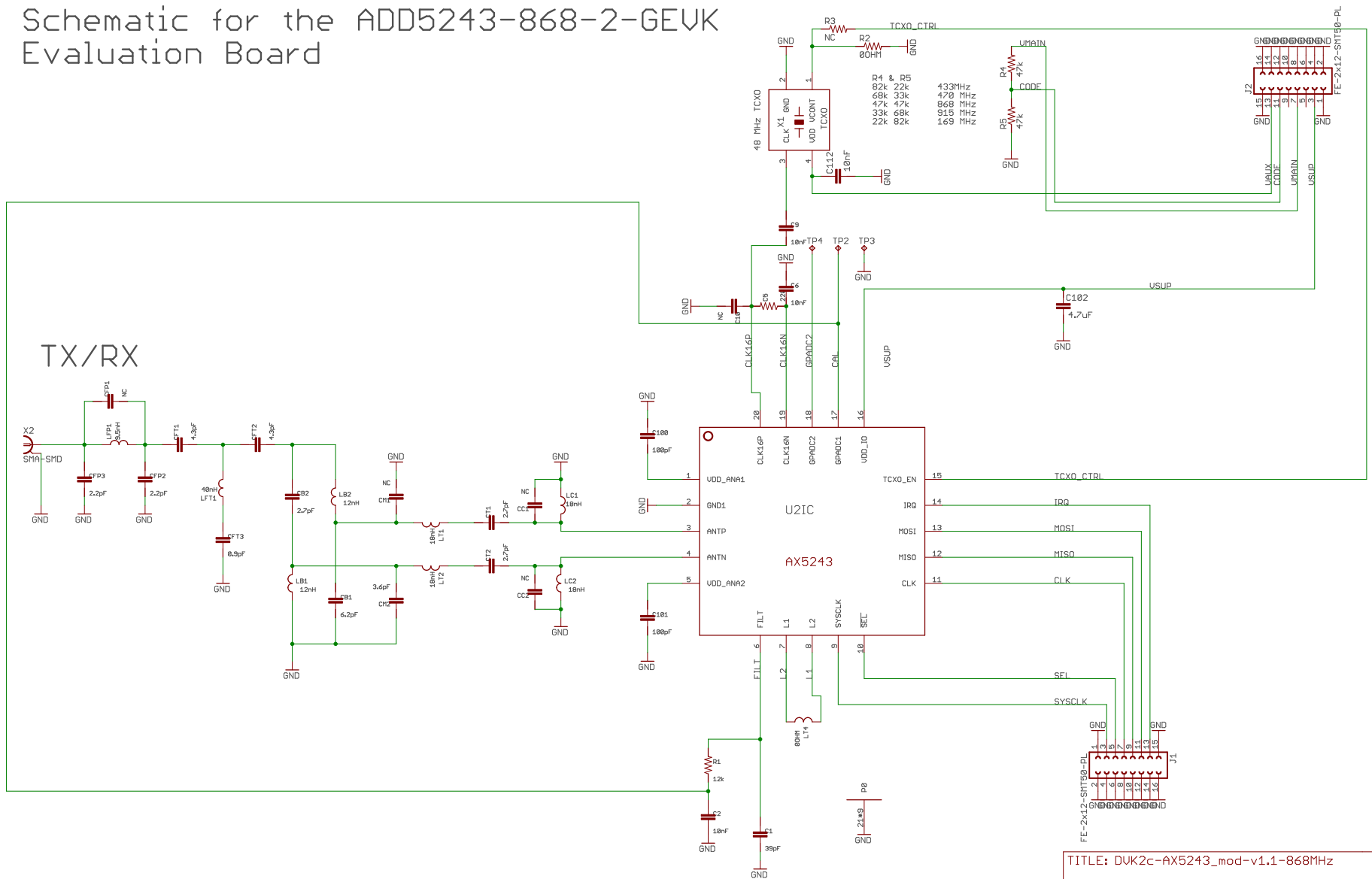


Schematic for the ADD5243-868-2-GEVK Evaluation Board



TITLE: DUK2c-AX5243_mod-v1.1-868MHz

Date: 1/10/2018 12:03 PM

Sheet: 1/1