

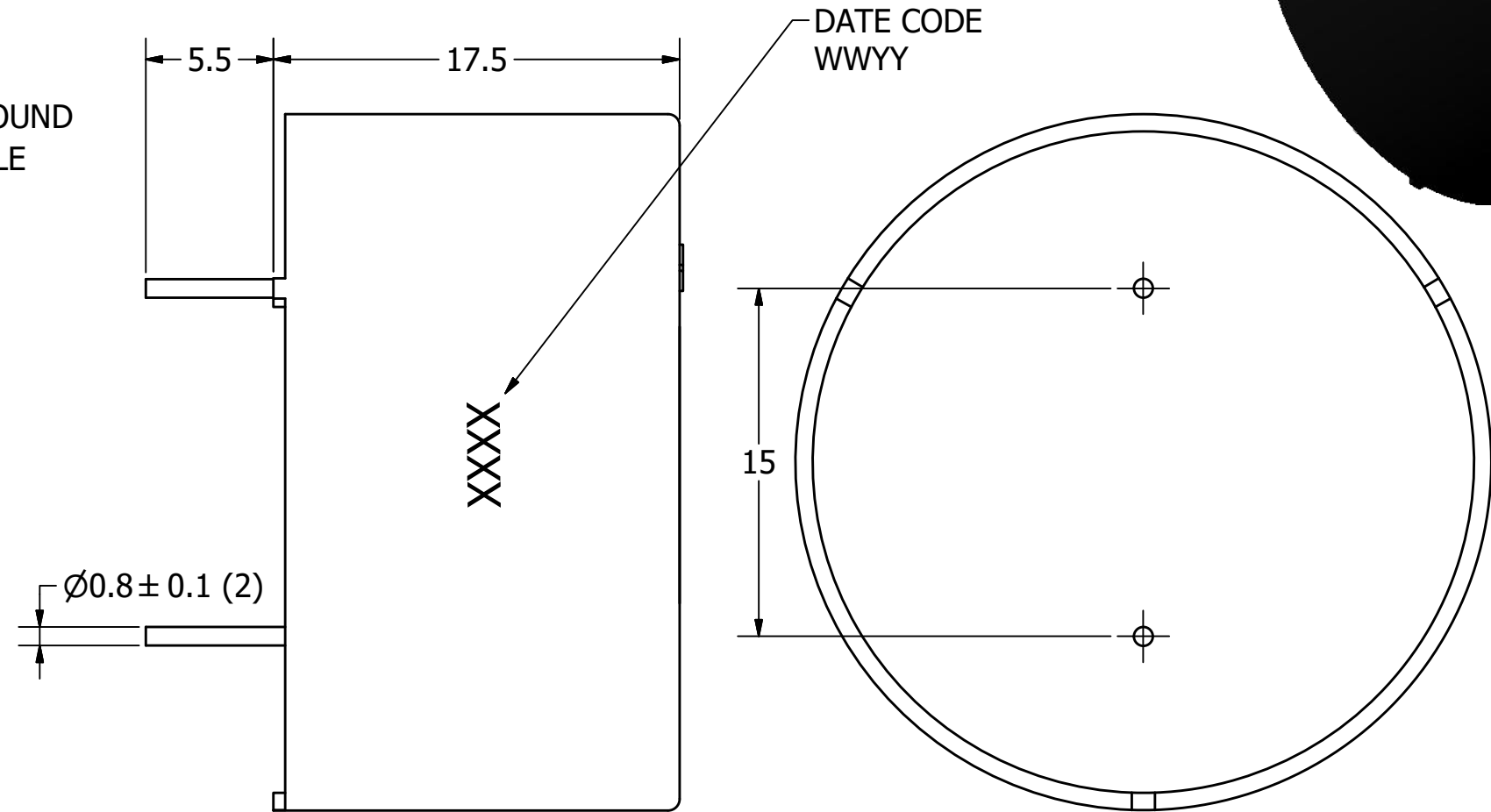
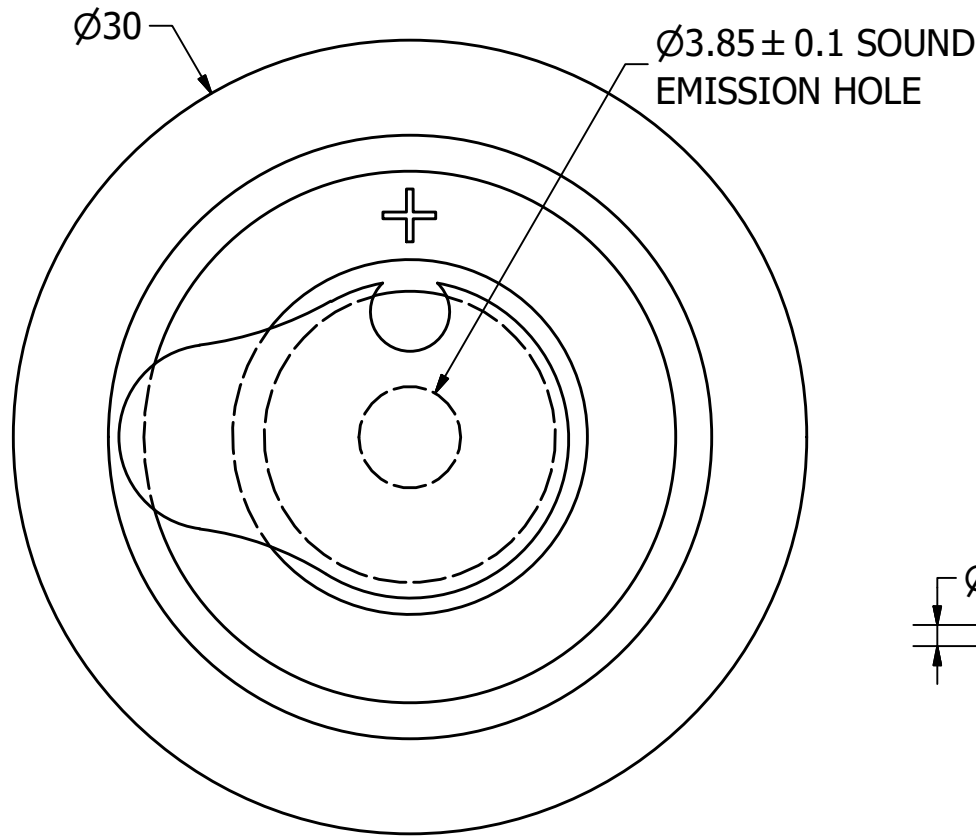
SPECIFICATIONS

PARAMETERS	VALUES	UNITS
RATED VOLTAGE	12	Vdc
OPERATING VOLTAGE RANGE	3 ~ 28	Vdc
RATED CURRENT (MAX)	18	mA
MINIMUM SPL @ 10 CM	87	dBA
RESONANT FREQUENCY	1,800 ± 500	Hz
TONE OR PULSE RATE	CONTINUOUS	0 pulse/sec
OPERATING TEMPERATURE	-30 ~ +80	°C
STORAGE TEMPERATURE	-40 ~ +80	°C
HOUSING MATERIAL	ABS	-
TERMINAL MATERIAL	Sn PLATED PHOSPHER BRONZE	-
WEIGHT	5.8	grams

THIS DOCUMENT CONTAINS DATA PROPRIETARY TO PROJECTS UNLIMITED, INC. ANY USE OR REPRODUCTION, IN ANY FORM, WITHOUT PRIOR WRITTEN PERMISSION OF PROJECTS UNLIMITED, INC. IS PROHIBITED.
©2003, Projects Unlimited Inc.

REVISION HISTORY

LTR	DESCRIPTION	DATE	APPROVED
-	RELEASED FROM ENGINEERING	9/23/2005	
A	REVISED MAX. CURRENT	5/6/2009	B.R.
B	ADDED NOTE NUMBER 4	11/9/2009	B.R.
C	REVISED TO INVENTOR 3-D DRAWING TEMPLATE	2/8/2010	B.R.
D	ADDED DATE CODE	9/7/2016	B.R.
E	REVISED WEIGHT	2/24/2020	M.V.



NOTES:

1. ALL DIMENSIONS ARE IN MILLIMETERS.
2. SPECIFICATIONS SUBJECT TO CHANGE OR WITHDRAWL WITHOUT NOTICE.
3. THIS PART IS RoHS 2011/65/EU COMPLIANT.
4. HAND SOLDER ONLY; IRON TEMP 350c AND SOLDER TIME 3 SECONDS OR LESS. WAVE SOLDERING NOT ALLOWED. MINIMUM INSULATION RESISTANCE BETWEEN FEEDBACK CIRCUIT AND GROUND IS 20M OHMS.

UNLESS OTHERWISE SPECIFIED: DIMENSIONS ARE IN MILLIMETERS, TOLERANCES ARE ±0.5 AND ANGLES ARE ±3°.	SIZE A3	Designed by	Date	Checked by	Date	Approved by	Date	Drawn Date
		J.A.F.	9/23/2005	E.P.	9/23/2005	B.R.	9/23/2005	2/8/2010
AI-3018-TWT-R.idw				AI-3018-TWT-R Indicator				
				Edition		Sheet		
				-		1 / 1		