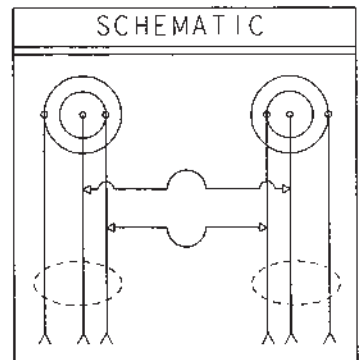
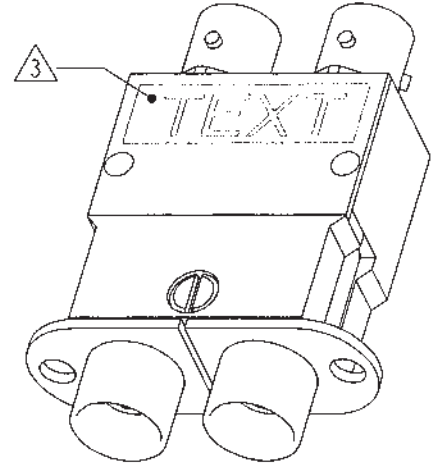
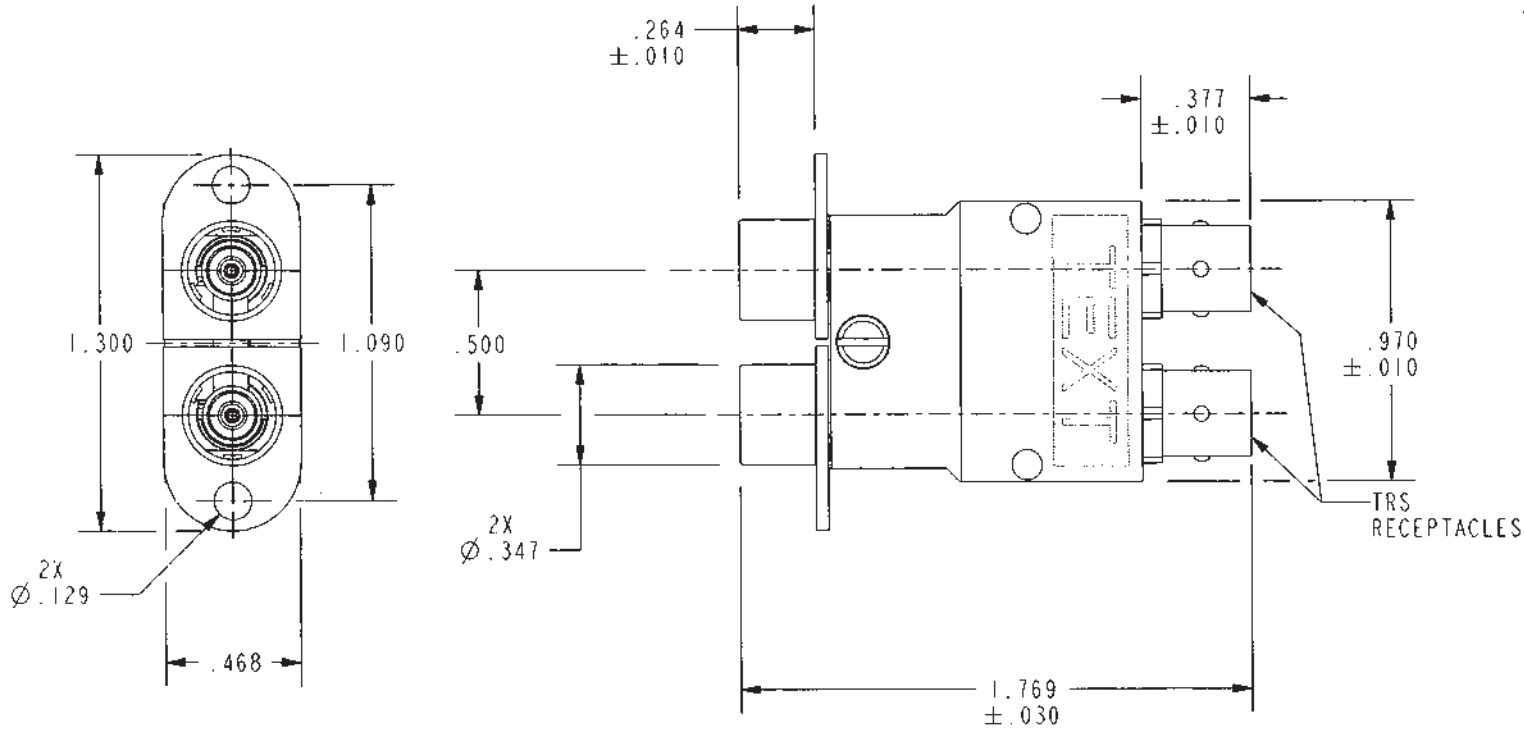


DATA CONTAINED IN THIS DOCUMENT IS PROPRIETARY TO TROMPETER ELECTRONICS INC. AND SHALL NOT BE DISCLOSED, COPIED OR USED FOR PROCUREMENT OR MANUFACTURE WITHOUT EXPRESS WRITTEN PERMISSION.

REVISIONS			
REV	DESCRIPTIONS	DATE	APPROVED
F	REVISED PER ECO 16367	6-2-08	AKK



RED INDICATES ORIGINAL

3 COVER TO BE INK MARKED AS FOLLOWS:

TEI 14949
J158 DATE CODE
PAT. NO. 5702262

2. DUAL TWINAX/TRIAX SELF-NORMALIZING PATCH JACK WITH TRS RECEPTACLES

1. FINISH: TFS-1A, NICKEL

NOTES: UNLESS OTHERWISE SPECIFIED.

INTERPRET DRAWING PER MIL-STD-100. DIMENSIONS ARE IN INCHES AND INCLUDE FINISH THICKNESS UNLESS OTHERWISE SPECIFIED.

TOL: UNLESS SPECIFIED:
.XX ± .02
.XXX ± .010
ANGLE ± 1°



DRN M JOHNSON 12-12-07
CHK Q 2-21-08
QUALITY
MANUF

MATERIAL:
FINISH:

TITLE:
J158

APPROVED [Signature] 3/4/08
PROJ FILE NO. 3-0297

DO NOT SCALE DWG

SIZE A CAGE CODE 14949

DRAWING NO. 3-0297

REV. F SHEET 1C

NEXT ASSY

DATE 11-09-95