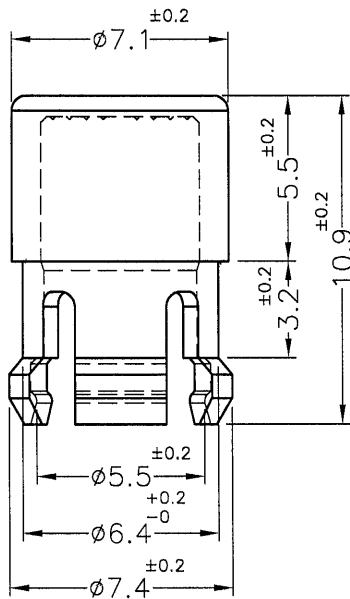
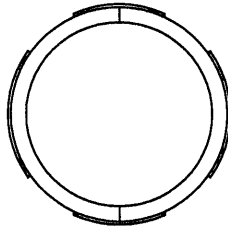



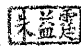

REVISIONS			
REV	DESCRIPTION	DATE	BY



MOUNTING HOLE:  $\phi 6.4^{+0.05}$   
 CHASSIS THICKNASS: 3.0

PART NO.	COLOR
LC5-9	TRANSPARENT
LC5-9(MA)	AMBER
LC5-9(AR)	RED

NOTE:1. SHRINKING IS NORMAL STATUS.  
 內縮為正常現象。  
 2. MADE OF EQUIVALENT MATERIAL.  
 均可使用同等材質。

 <p>康揚企業股份有限公司          KANG YANG HARDWARE ENTERPRISE CO., LTD.          康揚塑膠(東莞)有限公司          KANG YANG PLASTIC(DONG GUAN) CO.,LTD.          康哲電腦配件(吳江)有限公司          KANG CHE COMPUTER COMPONENTS(WUJIANG) CO.,LTD.</p>		TITLE	LENS CAP	SPEC. DWG.			
		MATERIAL	PC UL94V-2	DATE	2017.03.27		
		FINISH		DRAWN	Summer		
		COLOR	SEE ABOVE	CHECK			
PART NUMBER	SEE ABOVE	DRAWING NUMBER	LC5-9	UNLESS OTHERWISE SPECIFIED TOLERANCE	SEE ABOVE	APPROVED	
SIZE	A4	SCALE	4:1	UNIT	mm	REV	A