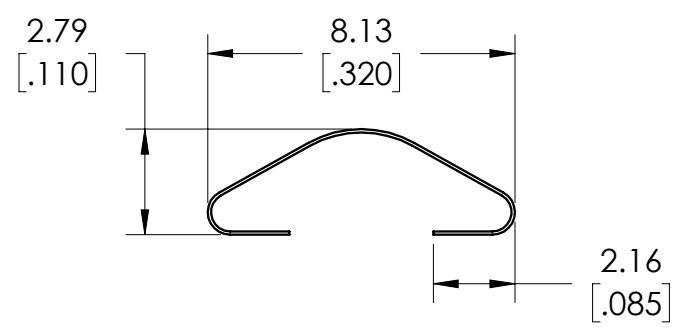
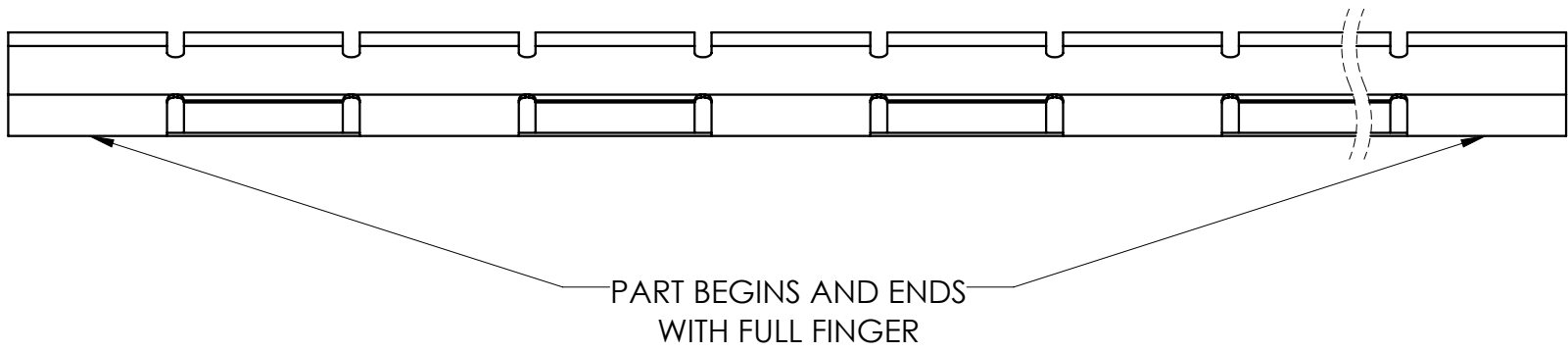
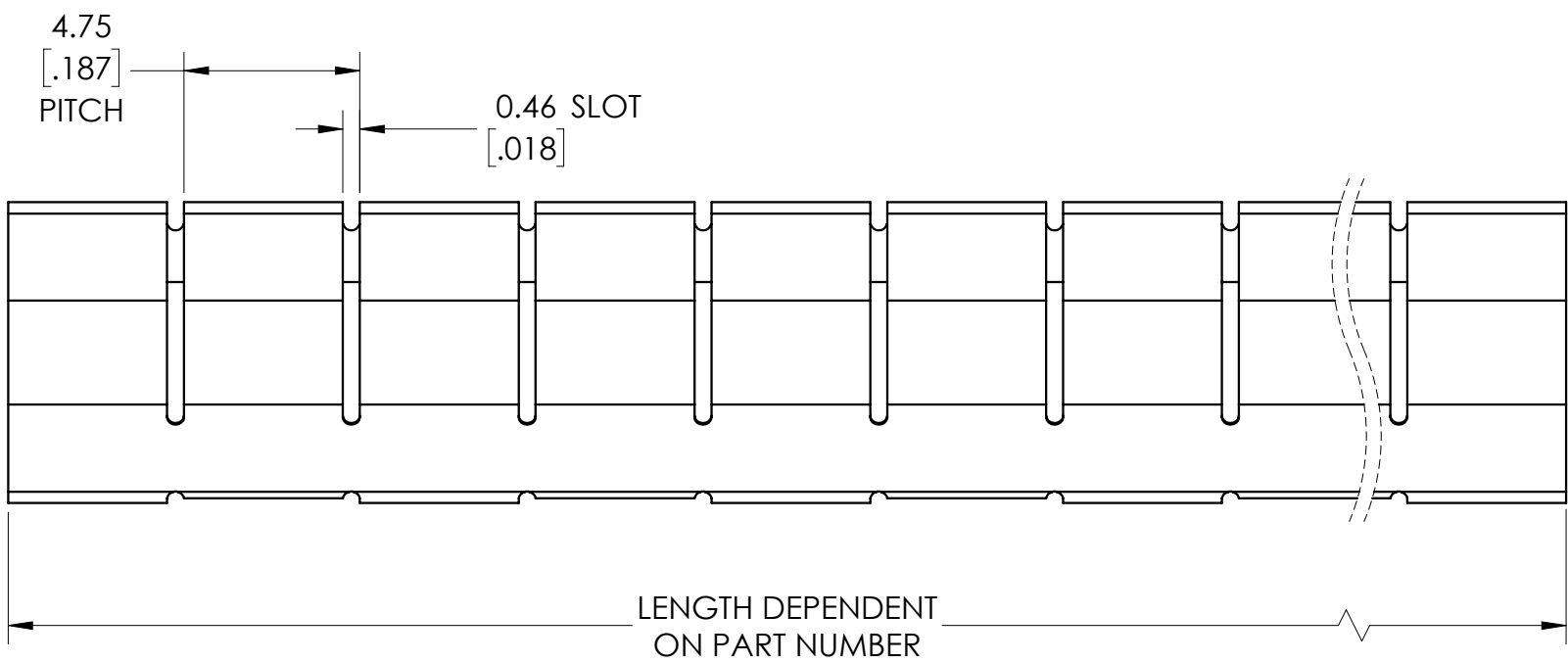


8	7	6	5
BASE PART NUMBER	THICKNESS	MATERIAL	PLATING
0078-0108	0.051 ± 0.005 [0.0020]	BeCu ALLOY 25 TH01	BRIGHT TIN

2	1
PART NUMBER	LENGTH
LT18CJ1920	51.79 ± 0.76 [2.039]
LT18CJ1921	61.29 ± 0.76 [2.413]
LT18CJ1922	118.29 ± 1.27 [4.657]
LT18CJ1923	127.79 ± 1.27 [5.031]
LT18CJ4430	42.29 ± 0.76 [1.665]



UNITS: MM [INCH]	Laird	LAIRD DRAWING NUMBER: LT18CJXXXX-SALES	
TOLERANCES: X.X = ± 0.4 X.XX = ± 0.2 X.XXX = ± 0.1		3RD ANGLE PROJECTION	THIS IS AN UNCONTROLLED SALES DRAWING. THE DIMENSIONAL CHARACTERISTICS AND TOLERANCES OF THIS PART SHOWN ON THIS DRAWING AS A REFERENCE TO THE DIMENSIONAL SPECIFICATIONS OF THE LAIRD STANDARD PRODUCTION DRAWING FOR THIS PART. ANY SUBSEQUENT CHANGES TO THE STANDARD PART SPECIFICATION WILL SUPERSEDE THIS SALES DRAWING.
ANGULAR: X° = ± 3° X.X° = ± 1.0°	DESIGNED IN SOLIDWORKS	SCALE: 5:1	SIZE B
		SHEET 1 OF 1	