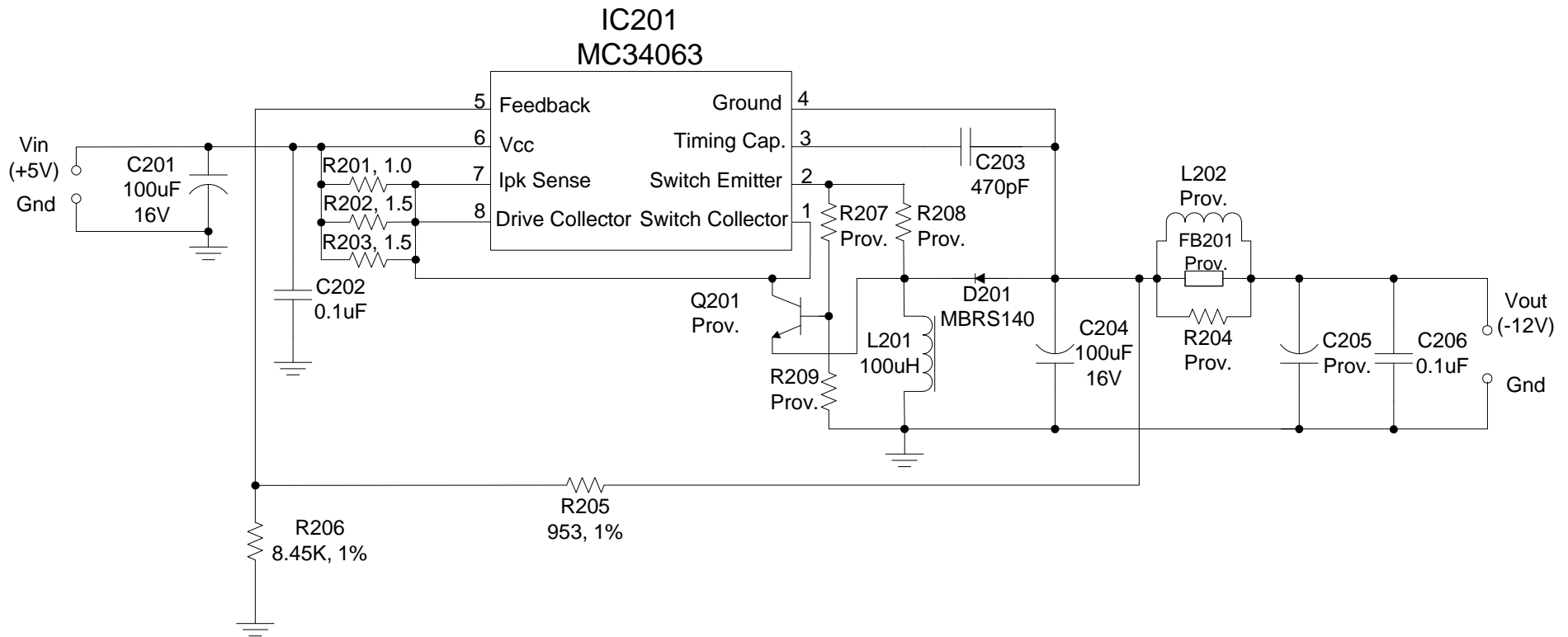


MC34063 Evaluation Board Design Example

Voltage Inverting Regulator 5V to -12V@50mA(SMD)



	Q201	R207	R208	R209
Low Current Applications	Out	Out	"0" ohm resistor	Out
High Current Applications	PZT651 SOT-223 Style 1	"0" ohm resistor	Out	470