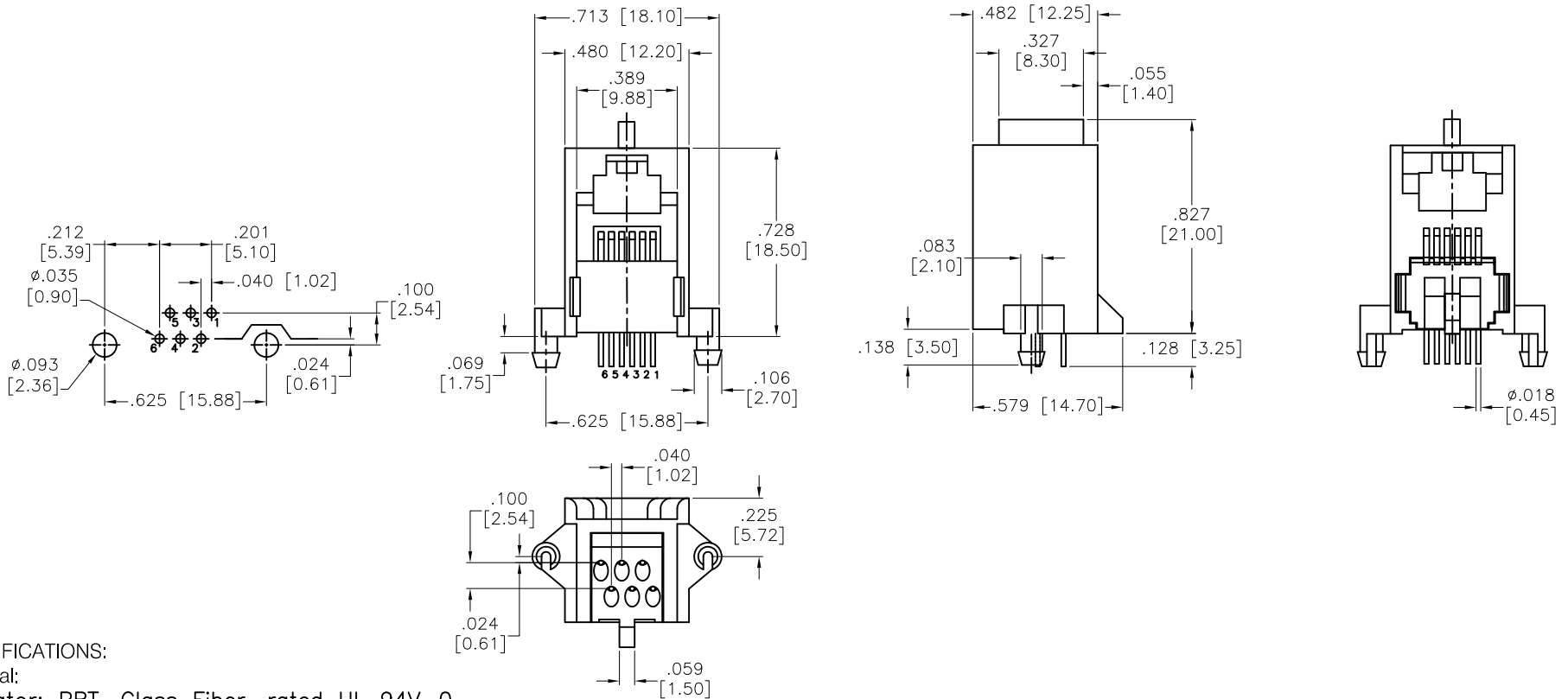


APPROVED: \_\_\_\_\_  
 DATE: \_\_\_\_\_ TITLE: \_\_\_\_\_

Rev	AWO #	Description	Date	Appr
-		RELEASED	10/4/04	
A		UPDATE DRAWING	11/30/17	AY/SL



**SPECIFICATIONS:**

Material:  
 Insulator: PBT, Glass Fiber, rated UL 94V-0  
 Insulator color: Black  
 Contacts: Phosphor Bronze  
 Plating:  
 Gold over Nickel underplate overall  
 Electrical:  
 Voltage Rating: 150 VAC max  
 Current rating: 1.5 Amps max  
 Contact Resistance: 20 mohms max.  
 Insulation resistance: 500 Mohms min @500 VDC  
 Dielectric withstanding voltage: 1000 Vrms for 1 minut  
 Temperature Rating:  
 Operating temperature: -40°C to +85°C  
 Environmental:  
 Lead free, RoHS Compliant



UNLESS OTHERWISE SPECIFIED ALL DIMENSIONS ARE INCHES [MM] TOLERANCES: EXCEPT AS NOTED		<b>ADAM</b> <b>TECH</b> INTERCONNECTS		909 Rahway Avenue, Union, NJ 07083 Phone: 908-687-5000 Fax: 908-687-5710	
INCHES		HOLES		TITLE	
.X ± .10	∅X ± .10	MODULAR TELEPHONE JACK, 6P6C RIGHT ANGLE, PCB			
.XX ± .020	∅XX ± .015	APPROVALS		DATE	
.XXX ± .015	∅XXX ± .010	DRAWN		10/4/04	
CHECKED		SIZE		PART NO.	
APPROVED		X		MTJ-667X1	
REF: S00065T		SCALE: NTS		SHEET 1 OF 1	
		REV.		A	