

## PMC-5002X



## PMC-5002X

Latching Reed Switch

### Electrical Characteristics @ 25 °C

Contact form		E
Contact material		Mo*
Contact rating max.	W / VA	150
Switching voltage max.	VDC	230
	VAC	230
Switching current max.	A	3
Carry current max.	A	3
Breakdown voltage min.	VDC	600
Contact resistance max. (initial)	mΩ	500
Insulation resistance min.	Ω	10 <sup>9</sup>

\*Minimum load for contact material Mo: 3 Watts !

### Magnetical Characteristics (of unmodified Reed Switch) @ 25 °C

Pull in range available	AT	0 - 0
Drop out min.	AT	0
Test coil	TC	
Test equipment tolerance	± AT	

### Operating Characteristics @ 25 °C

Switching frequency max.	Hz	5
Resonant frequency typ.	Hz	700
Operate time max. (incl. bounce)	ms	2
Release time max.	ms	1

### Environmental Characteristics

Operating temperature	°C	-60 to +100
Vibration (50-2000 Hz)	g	10
Shock (1/2 sin 11 ms)	g	25

### Features

- High Power Reed Switch
- Latching type
- Perfectly suited for industrial applications

### Approvals

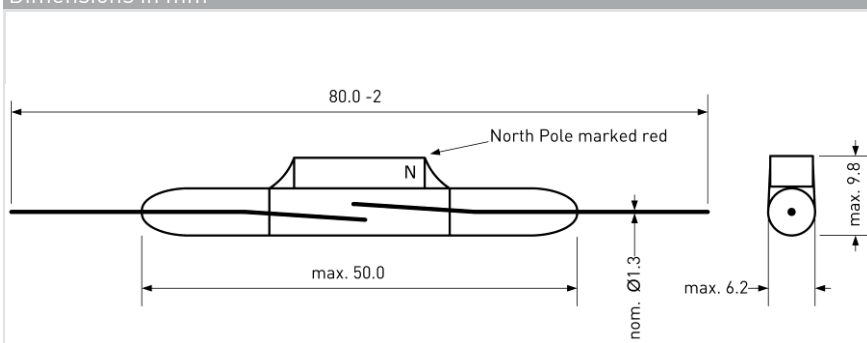


### Ordering Information

Packing Unit	100 pcs
Weight per piece	3.14 g
Weight per package	373 g
Standard AT ranges	

### Ordering example

### Dimensions in mm



© PIC GmbH