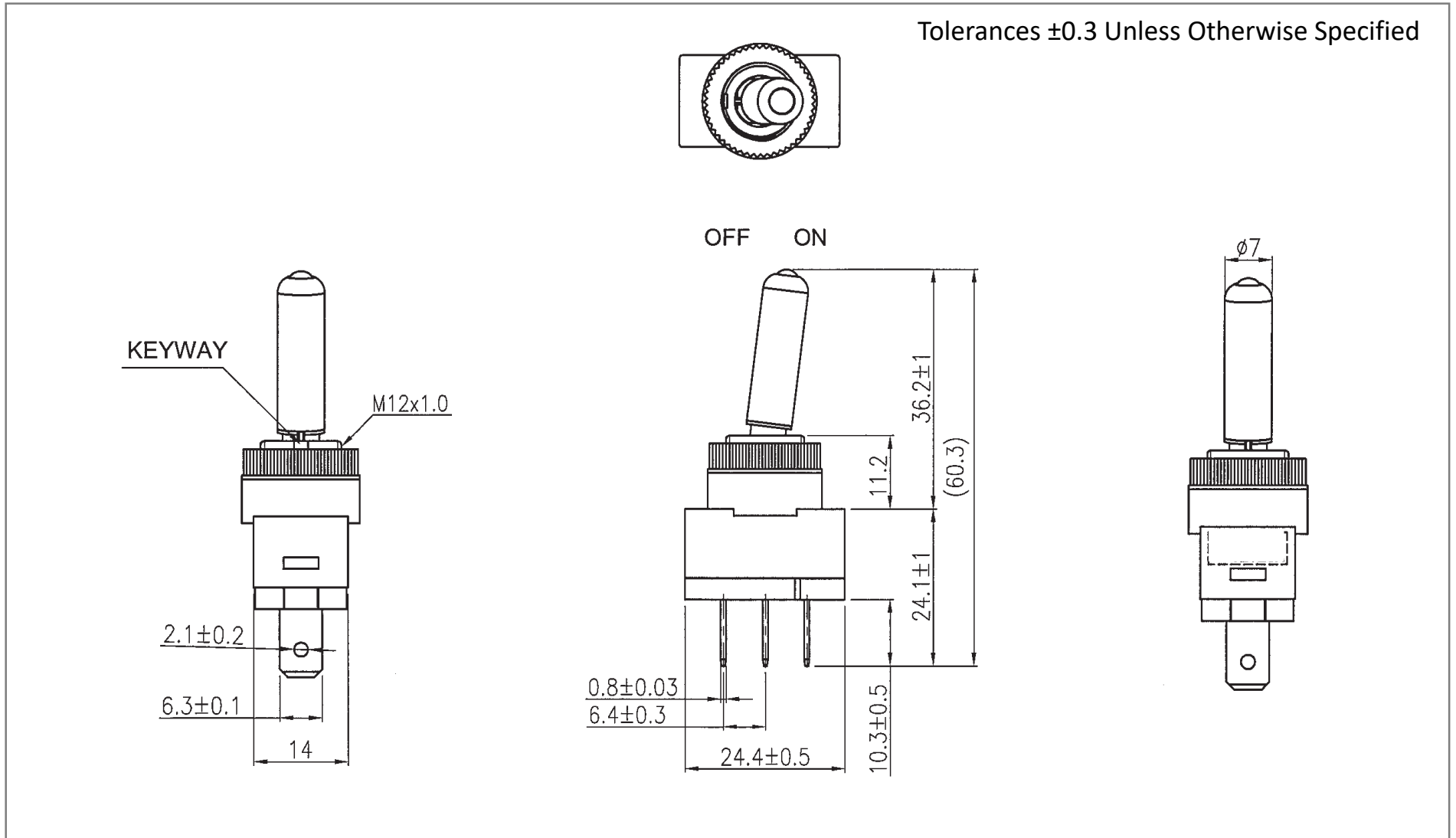
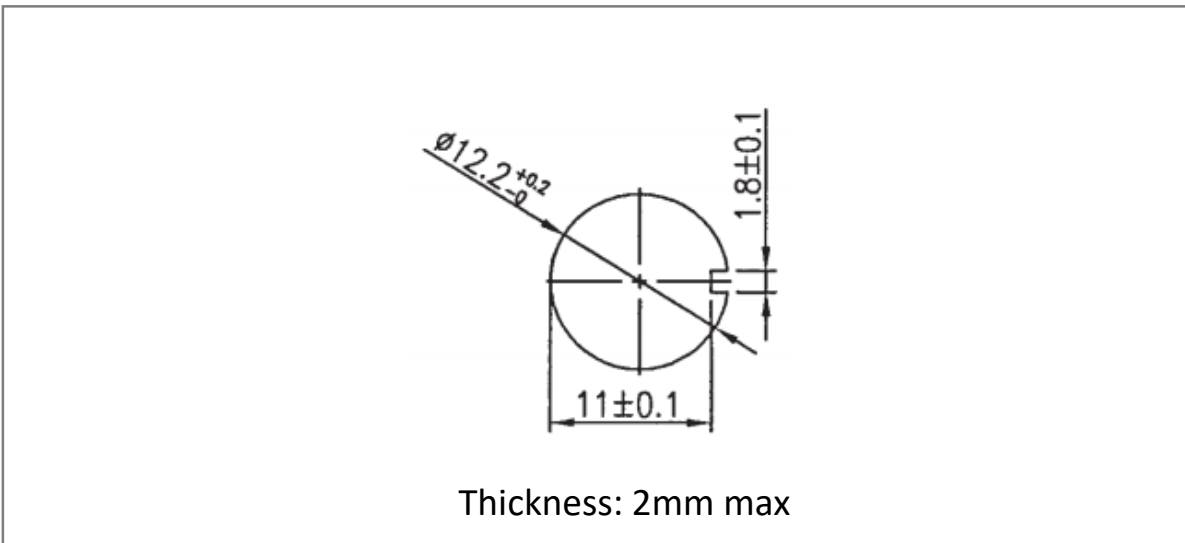


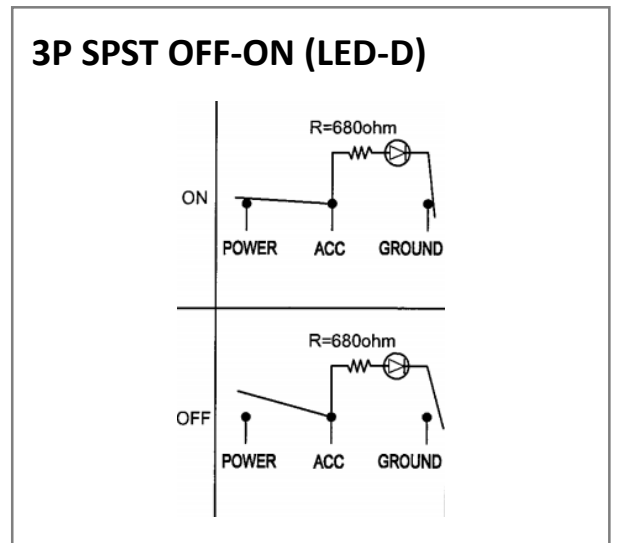
Mechanical Dimensions (mm)



Mounting Hole



Circuit Diagram



Electrical Specifications

Rating	20A 12 VDC
Contact Resistance	50m ohm Max.
Insulation Resistance	DC 500V 100M ohm Min.
Dielectric Strength	AC 1500V 1 minute

Material Specifications

Frame	Black, PC
Base	Black, PBT
Handle	Cr plated, Brass alloy
LED	Red (Dependent)
Terminals	Brass alloy