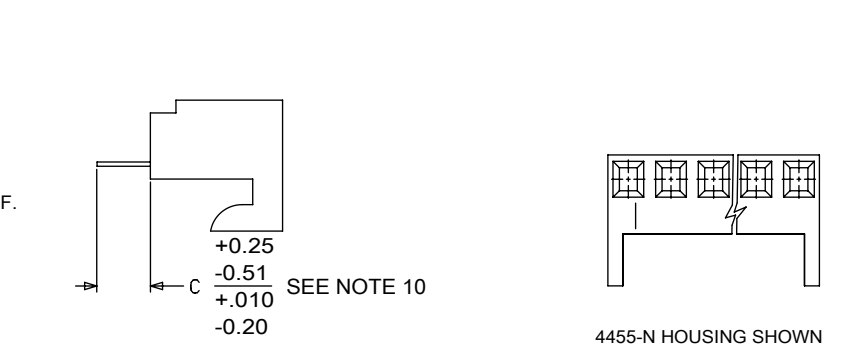
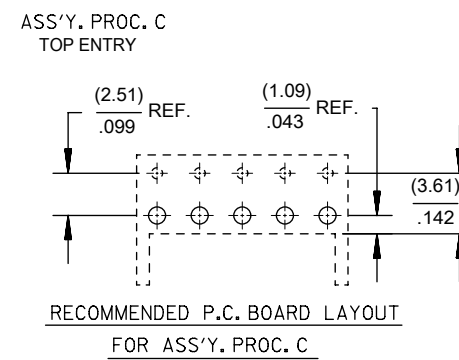
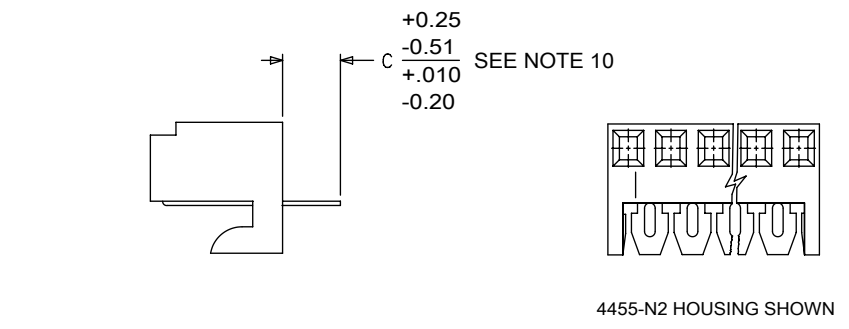
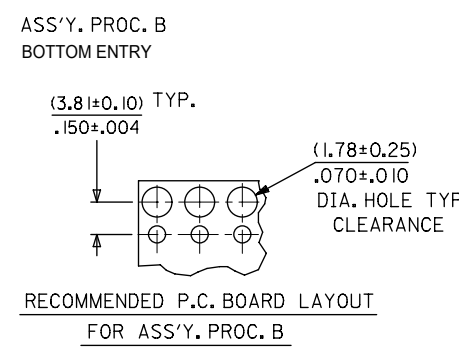
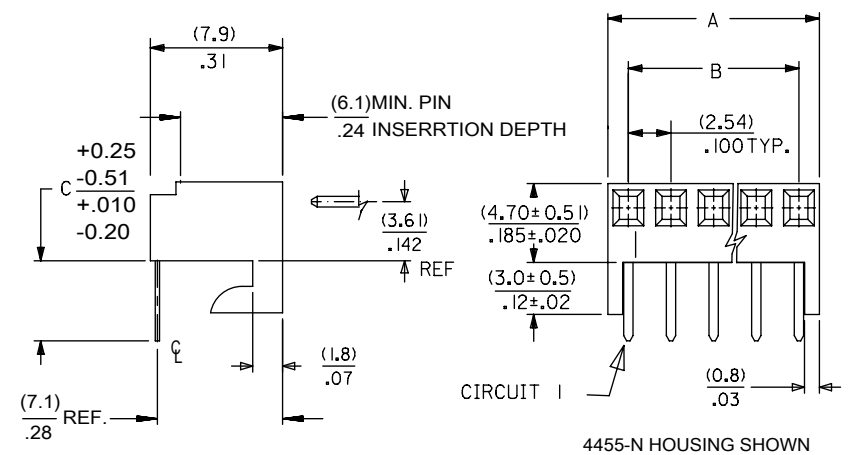
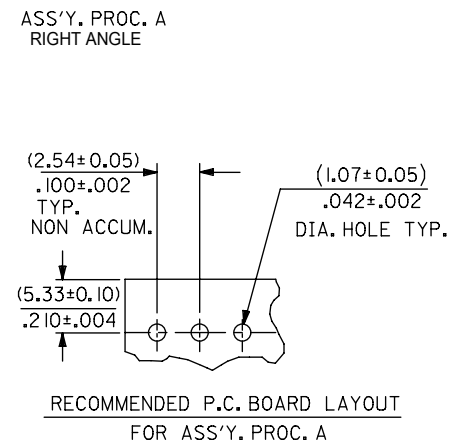
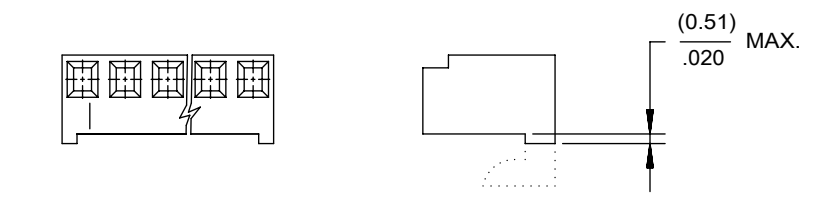
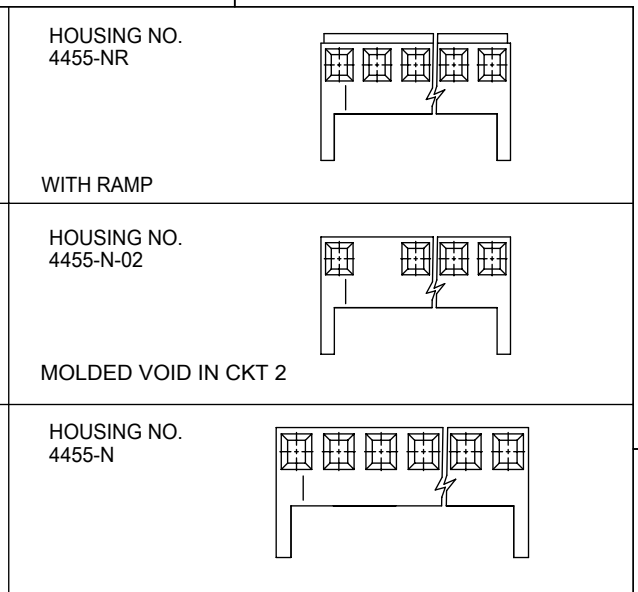
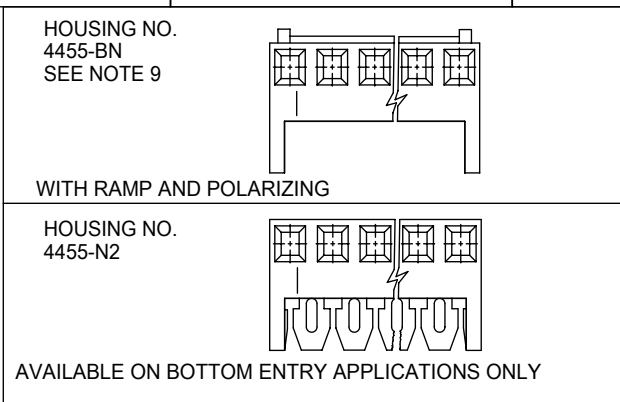


| NO. OF CKTS. | DIM. A | DIM. B |
|--------------|-------------------------------|-------------------------------|
| 1 | (2.44 ± .15) .096 ± .006 | — |
| 2 | (4.98 ± .15) .196 ± .006 | (2.54 ± .10) .100 ± .004 |
| 3 | (7.52 ± .15) .296 ± .006 | (5.08 ± .10) .200 ± .004 |
| 4 | (10.06 ± .15) .396 ± .006 | (7.62 ± .10) .300 ± .004 |
| 5 | (12.60 ± .18) .496 ± .007 | (10.16 ± .13) .400 ± .005 |
| 6 | (15.14 ± .18) .596 ± .007 | (12.70 ± .13) .500 ± .005 |
| 7 | (17.68 ± .20) .696 ± .008 | (15.24 ± .15) .600 ± .006 |
| 8 | (20.22 ± .20) .796 ± .008 | (17.78 ± .15) .700 ± .006 |
| 9 | (22.76 ± .20) .896 ± .008 | (20.32 ± .15) .800 ± .006 |
| 10 | (25.30 ± .25) .996 ± .010 | (22.86 ± .20) .900 ± .008 |
| 11 | (27.84 ± .25) 1.096 ± .010 | (25.40 ± .20) 1.000 ± .008 |
| 12 | (30.38 ± .25) 1.196 ± .010 | (27.94 ± .20) 1.100 ± .008 |
| 13 | (32.92 ± .25) 1.296 ± .010 | (30.48 ± .20) 1.200 ± .008 |
| 14 | (35.46 ± .25) 1.396 ± .010 | (33.02 ± .20) 1.300 ± .008 |
| 15 | (38.00 ± .28) 1.496 ± .011 | (35.56 ± .23) 1.400 ± .009 |
| 16 | (40.54 ± .28) 1.596 ± .011 | (38.10 ± .23) 1.500 ± .009 |
| 17 | (43.08 ± .28) 1.696 ± .011 | (40.64 ± .23) 1.600 ± .009 |
| 18 | (45.62 ± .28) 1.796 ± .011 | (43.18 ± .23) 1.700 ± .009 |
| 19 | (48.16 ± .28) 1.896 ± .011 | (45.72 ± .23) 1.800 ± .009 |
| 20 | (50.70 ± .30) 1.996 ± .012 | (48.26 ± .25) 1.900 ± .010 |

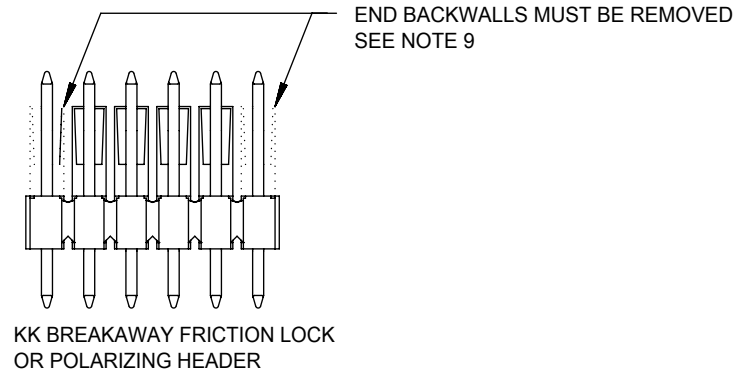


- NOTES:
- MATERIAL: NYLON, UL 94V-0, COLOR: WHITE
 - FINISH:
 - (208) - SELECT GOLD: (0.00038)/.000015 MIN., SELECT TIN: (0.00254)/.000100 MIN. OVERALL NICKEL UNDERPLATE: (0.00127)/.000050 MIN.
 - (228) - SELECT GOLD: (0.00076)/.000030 MIN., SELECT TIN: (0.00254)/.000100 MIN. OVERALL NICKEL UNDERPLATE: (0.00127)/.000050 MIN.
 - (231) - SELECT GOLD: (0.00127)/.000050 MIN., SELECT TIN: (0.00254)/.000100 MIN. OVERALL NICKEL UNDERPLATE: (0.00127)/.000050 MIN.
 - (565) - SELECT GOLD: (0.00051)/.000020 MIN., OVERALL NICKEL: (0.00076)/.000030 MIN. OVERALL GOLD FLASH: (0.00005)/.000002 MIN.
 - (P909) - OVERALL TIN: (0.00254)/.000100 MIN.
 - PARTS CONFORM TO PRODUCT SPECIFICATION PS-10-07.
 - PACKAGING: SEE CHARTS.
 - PARTS MUST CONFORM TO SOLDERABILITY SPEC 152.
 - PARTS ARE STACKABLE END TO END ON (2.54)/.100 CENTERS.
 - TYPICAL PCB THICKNESS: (1.57)/.062
 - PART CONFORMS TO CLASS B REQUIREMENTS OF COSMETIC SPECIFICATION PS-45499-002 EXCEPT PROTRUSIONS. PARTS MAY HAVE MORE THAN 2 GATE MARKS.
 - WHEN MATING ASSEMBLIES THAT USE 4455-BN HOUSINGS TO BREAKAWAY FRICTION LOCK OR POLARIZING HEADERS, THE END BACKWALLS MUST BE REMOVED.
 - DIMENSION C MEASURED WITH TERMINAL PUSHED IN AGAINST THE STOP.

| | | | | |
|-----------------|----|--------------|------------|----------|
| DOCUMENT STATUS | P1 | RELEASE DATE | 2018/08/13 | 11:53:00 |
|-----------------|----|--------------|------------|----------|



HOOKS CUT OPTION AVAILABLE ON TOP ENTRY, SEE CHART



| | |
|------|------|
| 2-* | D15 |
| 1 | D16 |
| SHT. | REV. |

| | | | | | |
|-----------------|--|---|------------------------|-----------------------------------|------------|
| SYMBOLS | | THIS DRAWING CONTAINS INFORMATION THAT IS PROPRIETARY TO MOLEX ELECTRONIC TECHNOLOGIES, LLC AND SHOULD NOT BE USED WITHOUT WRITTEN PERMISSION | | CURRENT REV DESC: ADDED NEW P/N'S | |
| ▽ = 0 | DIMENSION UNITS | SCALE | | | |
| ▽ = 0 | MM/IN | 1:1 | | | |
| ▽ = 0 | GENERAL TOLERANCES (UNLESS SPECIFIED) | | | | |
| ▽ = 0 | | MM | INCH | | |
| ▽ = 0 | 4 PLACES ± | | | EC NO: 602687 | |
| ▽ = 0 | 3 PLACES ± | | | DRWN: SS06 2018/06/18 | |
| ▽ = 0 | 2 PLACES ± | 0.25 | 0.015 | CHK'D: ISHWARG 2018/08/13 | |
| ▽ = 0 | 1 PLACE ± | 0.36 | | APPR: ISHWARG 2018/08/13 | |
| ▽ = 0 | 0 PLACES ± | | | INITIAL REVISION: | |
| ▽ = 0 | ANGULAR TOL | ± 0.5° | | DRWN: SAMIEC 1984/05/10 | |
| ▽ = 0 | DRAFT WHERE APPLICABLE MUST REMAIN WITHIN DIMENSIONS | | THIRD ANGLE PROJECTION | DRAWING | SERIES |
| ▽ = 0 | | | B-SIZE | 4455 | 1984/05/10 |
| DOCUMENT NUMBER | | CUSTOMER | | SHEET NUMBER | |
| SDA-4455 | | GENERAL MARKET | | 1 OF 1 | |



KK 100 PCB ASSY 2-20 CKT

4455 SERIES

STANDARD PRODUCT

A-4455- * * N * * - * - *

↑ ↑ ↑ ↑ ↑ ↑ ↑

ASSY PROCEDURE
 A=RIGHT ANGLE
 B=BOTTOM ENTRY
 C=TOP ENTRY

HOUSING OPTION
 B=4455-BN
 G=4455-BN (HOOKS CUT OFF)
 H=4455-N2 (BOTTOM ENTRY ONLY)
 P=4455-NR (HOOKS CUT OFF)
 R=4455-NR
 V=4455-N-02
 W=4455-N-02 (HOOKS CUT OFF)
 Y=4455-N (HOOKS CUT OFF)
 Z=4455-N

NO OF CIRCUITS _____

TERMINAL TYPE

| Code | Number | Material | Form |
|------|---------|-------------|-------------|
| A | 4316-4 | Brass | Standard |
| B | 6516-4 | Phos Bronze | Standard |
| C | 6516-5C | Phos Bronze | Cat Ear / V |
| D | 4316-3B | Brass | Std / V |
| F | 6516-6C | Phos Bronze | Cat Ear / V |
| G | 4316-3 | Brass | Standard |
| J | 6516-3B | Phos Bronze | Std / V |
| L | 6516-3C | Phos Bronze | Cat Ear / V |
| M | 6516-4A | Phos Bronze | Cat Ear |
| T | 4316-4A | Brass | Cat Ear |

VOID LOCATION
 NUMBER = CIRCUIT
 VOIDED
 MULTIPLE VOIDS START WITH 51
 BLANK = NONE

PACKAGING
 A = TRAY
 B = TAPE AND REEL

PLATING
 (SEE SHEET 1)

| | |
|--------------|--------------|
| Assy Proc: | RIGHT ANGLE |
| Hooks Cut: | NO |
| Housing No: | 4455-N |
| Terminal No: | 4316-4(P909) |
| Dim C: | 3.35 / .132 |
| Plating: | P909 |
| Packaging: | PK-44646-001 |
| Voids: | NONE |

| | |
|--------------|--------------|
| Assy Proc: | RIGHT ANGLE |
| Hooks Cut: | NO |
| Housing No: | 4455-N |
| Terminal No: | 4316-4(565) |
| Dim C: | 3.35 / .132 |
| Plating: | 565 |
| Packaging: | PK-44646-001 |
| Voids: | NONE |

| Ckts | Material No | Engineer Number |
|------|-------------|--------------------|
| 2 | 22-15-2026 | A-4455-AZ02A(P909) |
| 3 | 22-15-2036 | A-4455-AZ03A(P909) |
| 4 | 22-15-2046 | A-4455-AZ04A(P909) |
| 5 | 22-15-2056 | A-4455-AZ05A(P909) |
| 6 | 22-15-2066 | A-4455-AZ06A(P909) |
| 7 | 22-15-2076 | A-4455-AZ07A(P909) |
| 8 | 22-15-2086 | A-4455-AZ08A(P909) |
| 9 | 22-15-2096 | A-4455-AZ09A(P909) |
| 10 | 22-15-2106 | A-4455-AZ10A(P909) |
| 11 | 22-15-2116 | A-4455-AZ11A(P909) |
| 12 | 22-15-2126 | A-4455-AZ12A(P909) |
| 13 | 22-15-2136 | A-4455-AZ13A(P909) |
| 14 | 22-15-2146 | A-4455-AZ14A(P909) |
| 15 | 22-15-2156 | A-4455-AZ15A(P909) |
| 16 | 22-15-2166 | A-4455-AZ16A(P909) |
| 17 | 22-15-2176 | A-4455-AZ17A(P909) |
| 18 | 22-15-2186 | A-4455-AZ18A(P909) |
| 19 | 22-15-2196 | A-4455-AZ19A(P909) |
| 20 | 22-15-2206 | A-4455-AZ20A(P909) |

| Material No | Engineer Number |
|-------------|-------------------|
| 22-16-2021 | A-4455-AZ02A(565) |
| 22-16-2031 | A-4455-AZ03A(565) |
| 22-16-2041 | A-4455-AZ04A(565) |
| 22-16-2051 | A-4455-AZ05A(565) |
| 22-16-2061 | A-4455-AZ06A(565) |
| 22-16-2071 | A-4455-AZ07A(565) |
| 22-16-2081 | A-4455-AZ08A(565) |
| 22-16-2091 | A-4455-AZ09A(565) |
| 22-16-2101 | A-4455-AZ10A(565) |
| 22-16-2111 | A-4455-AZ11A(565) |
| 22-16-2121 | A-4455-AZ12A(565) |
| 22-16-2131 | A-4455-AZ13A(565) |
| 22-16-2141 | A-4455-AZ14A(565) |
| 22-16-2151 | A-4455-AZ15A(565) |
| 22-16-2161 | A-4455-AZ16A(565) |
| 22-16-2171 | A-4455-AZ17A(565) |
| 22-16-2181 | A-4455-AZ18A(565) |
| 22-16-2191 | A-4455-AZ19A(565) |
| 22-16-2201 | A-4455-AZ20A(565) |

| | | | | | |
|--|--|---|---|-----------------------------------|---------------------------------------|
| REV: D15 | ECM INFORMATION: ECM No.: 602687 DATE: 22/06/2018 | TITLE: KK 100 PCB ASSY 4455 SERIES DWG | SHEET No. - 2 - | | |
| DOCUMENT NUMBER: SDA-4455 | DOC TYPE: PSD | DOC PART: 002 | CREATED / REVISED BY: SS06 | CHECKED BY: SS06 | APPROVED BY: ISHWARG |



KK 100 PCB ASSY 2-20 CKT

4455 SERIES

STANDARD PRODUCT

| Ckts | Assy Proc: RIGHT ANGLE | | Assy Proc: BOTTOM ENTRY | | Assy Proc: BOTTOM ENTRY | | Assy Proc: BOTTOM ENTRY | |
|------|------------------------|---------------------|-------------------------|----------------------|-------------------------|---------------------|-------------------------|---------------------|
| | Hooks Cut: | NO | Hooks Cut: | NO | Hooks Cut: | NO | Hooks Cut: | NO |
| | Housing No: | 4455-N | Housing No: | 4455-N2 | Housing No: | 4455-N2 | Housing No: | 4455-N2 |
| | Terminal No: | 4316-4(208) | Terminal No: | 4316-3B(P909) | Terminal No: | 4316-3B(565) | Terminal No: | 4316-3B(208) |
| | Dim C: | 3.35 / .132 | Dim C: | 3.35 / .132 | Dim C: | 3.35 / .132 | Dim C: | 3.35 / .132 |
| | Plating: | 208 | Plating: | P909 | Plating: | 565 | Plating: | 208 |
| | Packaging: | PK-44646-001 | Packaging: | PK-44646-001 | Packaging: | PK-44646-001 | Packaging: | PK-44646-001 |
| | Voids: | NONE | Voids: | NONE | Voids: | NONE | Voids: | NONE |
| | Material No | Engineer Number | Material No | Engineer Number | Material No | Engineer Number | Material No | Engineer Number |
| 2 | 22-16-2020 | A-4455-AZ02A(208) | 22-14-2024 | A-4455-BH02D(P909) | 22-17-2022 | A-4455-BH02D(565) | 22-17-3022 | A-4455-BH02D(208) |
| 3 | 22-16-2030 | A-4455-AZ 03 A(208) | 22-14-2034 | A-4455-BH 03 D(P909) | 22-17-2032 | A-4455-BH 03 D(565) | 22-17-3032 | A-4455-BH 03 D(208) |
| 4 | 22-16-2040 | A-4455-AZ 04 A(208) | 22-14-2044 | A-4455-BH 04 D(P909) | 22-17-2042 | A-4455-BH 04 D(565) | 22-17-3042 | A-4455-BH 04 D(208) |
| 5 | 22-16-2050 | A-4455-AZ 05 A(208) | 22-14-2054 | A-4455-BH 05 D(P909) | 22-17-2052 | A-4455-BH 05 D(565) | 22-17-3052 | A-4455-BH 05 D(208) |
| 6 | 22-16-2060 | A-4455-AZ 06 A(208) | 22-14-2064 | A-4455-BH 06 D(P909) | 22-17-2062 | A-4455-BH 06 D(565) | 22-17-3062 | A-4455-BH 06 D(208) |
| 7 | 22-16-2070 | A-4455-AZ 07 A(208) | 22-14-2074 | A-4455-BH 07 D(P909) | 22-17-2072 | A-4455-BH 07 D(565) | 22-17-3072 | A-4455-BH 07 D(208) |
| 8 | 22-16-2080 | A-4455-AZ 08 A(208) | 22-14-2084 | A-4455-BH 08 D(P909) | 22-17-2082 | A-4455-BH 08 D(565) | 22-17-3082 | A-4455-BH 08 D(208) |
| 9 | 22-16-2090 | A-4455-AZ 09 A(208) | 22-14-2094 | A-4455-BH 09 D(P909) | 22-17-2092 | A-4455-BH 09 D(565) | 22-17-3092 | A-4455-BH 09 D(208) |
| 10 | 22-16-2100 | A-4455-AZ 10 A(208) | 22-14-2104 | A-4455-BH 10 D(P909) | 22-17-2102 | A-4455-BH 10 D(565) | 22-17-3102 | A-4455-BH 10 D(208) |
| 11 | 22-16-2110 | A-4455-AZ 11 A(208) | 22-14-2114 | A-4455-BH 11 D(P909) | 22-17-2112 | A-4455-BH 11 D(565) | 22-17-3112 | A-4455-BH 11 D(208) |
| 12 | 22-16-2120 | A-4455-AZ 12 A(208) | 22-14-2124 | A-4455-BH 12 D(P909) | 22-17-2122 | A-4455-BH 12 D(565) | 22-17-3122 | A-4455-BH 12 D(208) |
| 13 | 22-16-2130 | A-4455-AZ 13 A(208) | 22-14-2134 | A-4455-BH 13 D(P909) | 22-17-2132 | A-4455-BH 13 D(565) | 22-17-3132 | A-4455-BH 13 D(208) |
| 14 | 22-16-2140 | A-4455-AZ 14 A(208) | 22-14-2144 | A-4455-BH 14 D(P909) | 22-17-2142 | A-4455-BH 14 D(565) | 22-17-3142 | A-4455-BH 14 D(208) |
| 15 | 22-16-2150 | A-4455-AZ 15 A(208) | 22-14-2154 | A-4455-BH 15 D(P909) | 22-17-2152 | A-4455-BH 15 D(565) | 22-17-3152 | A-4455-BH 15 D(208) |
| 16 | 22-16-2160 | A-4455-AZ 16 A(208) | 22-14-2164 | A-4455-BH 16 D(P909) | 22-17-2162 | A-4455-BH 16 D(565) | 22-17-3162 | A-4455-BH 16 D(208) |
| 17 | 22-16-2170 | A-4455-AZ 17 A(208) | 22-14-2174 | A-4455-BH 17 D(P909) | 22-17-2172 | A-4455-BH 17 D(565) | 22-17-3172 | A-4455-BH 17 D(208) |
| 18 | 22-16-2180 | A-4455-AZ 18 A(208) | 22-14-2184 | A-4455-BH 18 D(P909) | 22-17-2182 | A-4455-BH 18 D(565) | 22-17-3182 | A-4455-BH 18 D(208) |
| 19 | 22-16-2190 | A-4455-AZ 19 A(208) | 22-14-2194 | A-4455-BH 19 D(P909) | 22-17-2192 | A-4455-BH 19 D(565) | 22-17-3192 | A-4455-BH 19 D(208) |
| 20 | 22-16-2200 | A-4455-AZ 20 A(208) | 22-14-2204 | A-4455-BH 20 D(P909) | 22-17-2202 | A-4455-BH 20 D(565) | 22-17-3202 | A-4455-BH 20 D(208) |

| | | | | | |
|-------------------------|-------------------------|------------------|--|--------------------|---------------------|
| REV: | ECM INFORMATION: | <u>TITLE:</u> | KK 100 PCB ASSY 4455 SERIES DWG | | <u>SHEET No.</u> |
| D15 | ECM No.: 602687 | | | | - 3 - |
| | DATE: 22/06/2018 | | | | |
| <u>DOCUMENT NUMBER:</u> | <u>DOC TYPE:</u> | <u>DOC PART:</u> | <u>CREATED / REVISED BY:</u> | <u>CHECKED BY:</u> | <u>APPROVED BY:</u> |
| SDA-4455 | PSD | 002 | SS06 | SS06 | ISHWARG |



KK 100 PCB ASSY 2-20 CKT

4455 SERIES

| | |
|--------------|--------------|
| Assy Proc: | TOP ENTRY |
| Hooks Cut: | NO |
| Housing No: | 4455-N |
| Terminal No: | 4316-4(P909) |
| Dim C: | 3.35 / .132 |
| Plating: | P909 |
| Packaging: | PK-44646-001 |
| Voids: | NONE |

| | |
|--------------|--------------|
| Assy Proc: | TOP ENTRY |
| Hooks Cut: | NO |
| Housing No: | 4455-N |
| Terminal No: | 4316-4(565) |
| Dim C: | 3.35 / .132 |
| Plating: | 565 |
| Packaging: | PK-44646-001 |
| Voids: | NONE |

| | |
|--------------|--------------|
| Assy Proc: | TOP ENTRY |
| Hooks Cut: | NO |
| Housing No: | 4455-N |
| Terminal No: | 4316-4(208) |
| Dim C: | 3.35 / .132 |
| Plating: | 208 |
| Packaging: | PK-44646-001 |
| Voids: | NONE |

| | |
|--------------|--------------|
| Assy Proc: | TOP ENTRY |
| Hooks Cut: | NO |
| Housing No: | 4455-N |
| Terminal No: | 6516-4(P909) |
| Dim C: | 3.35 / .132 |
| Plating: | P909 |
| Packaging: | PK-44646-001 |
| Voids: | NONE |

| Ckts |
|------|
| 2 |
| 3 |
| 4 |
| 5 |
| 6 |
| 7 |
| 8 |
| 9 |
| 10 |
| 11 |
| 12 |
| 13 |
| 14 |
| 15 |
| 16 |
| 17 |
| 18 |
| 19 |
| 20 |

| Material No | Engineer Number |
|-------------|----------------------|
| 22-02-2025 | A-4455-CZ02A(P909) |
| 22-02-2035 | A-4455-CZ 03A(P909) |
| 22-02-2045 | A-4455-CZ 04A(P909) |
| 22-02-2055 | A-4455-CZ 05A(P909) |
| 22-02-2065 | A-4455-CZ 06A(P909) |
| 22-02-2075 | A-4455-CZ 07A(P909) |
| 22-02-2085 | A-4455-CZ 08 A(P909) |
| 22-02-2095 | A-4455-CZ 09 A(P909) |
| 22-02-2105 | A-4455-CZ 10 A(P909) |
| 22-02-2115 | A-4455-CZ 11 A(P909) |
| 22-02-2125 | A-4455-CZ 12 A(P909) |
| 22-02-2135 | A-4455-CZ 13 A(P909) |
| 22-02-2145 | A-4455-CZ 14 A(P909) |
| 22-02-2155 | A-4455-CZ 15 A(P909) |
| 22-02-2165 | A-4455-CZ 16 A(P909) |
| 22-02-2175 | A-4455-CZ 17 A(P909) |
| 22-02-2185 | A-4455-CZ 18 A(P909) |
| 22-02-2195 | A-4455-CZ 19 A(P909) |
| 22-02-2205 | A-4455-CZ 20 A(P909) |

| Material No | Engineer Number |
|-------------|---------------------|
| 22-18-2023 | A-4455-CZ02A(565) |
| 22-18-2033 | A-4455-CZ 03 A(565) |
| 22-18-2043 | A-4455-CZ 04 A(565) |
| 22-18-2053 | A-4455-CZ 05 A(565) |
| 22-18-2063 | A-4455-CZ 06 A(565) |
| 22-18-2073 | A-4455-CZ 07 A(565) |
| 22-18-2083 | A-4455-CZ 08 A(565) |
| 22-18-2093 | A-4455-CZ 09 A(565) |
| 22-18-2103 | A-4455-CZ 10 A(565) |
| 22-18-2113 | A-4455-CZ 11 A(565) |
| 22-18-2123 | A-4455-CZ 12 A(565) |
| 22-18-2133 | A-4455-CZ 13 A(565) |
| 22-18-2143 | A-4455-CZ 14 A(565) |
| 22-18-2153 | A-4455-CZ 15 A(565) |
| 22-18-2163 | A-4455-CZ 16 A(565) |
| 22-18-2173 | A-4455-CZ 17 A(565) |
| 22-18-2183 | A-4455-CZ 18 A(565) |
| 22-18-2193 | A-4455-CZ 19 A(565) |
| 22-18-2203 | A-4455-CZ 20 A(565) |

| Material No | Engineer Number |
|-------------|---------------------|
| 22-18-2021 | A-4455-CZ02A(208) |
| 22-18-2031 | A-4455-CZ 03 A(208) |
| 22-18-2041 | A-4455-CZ 04 A(208) |
| 22-18-2051 | A-4455-CZ 05 A(208) |
| 22-18-2061 | A-4455-CZ 06 A(208) |
| 22-18-2071 | A-4455-CZ 07 A(208) |
| 22-18-2081 | A-4455-CZ 08 A(208) |
| 22-18-2091 | A-4455-CZ 09 A(208) |
| 22-18-2101 | A-4455-CZ 10 A(208) |
| 22-18-2111 | A-4455-CZ 11 A(208) |
| 22-18-2121 | A-4455-CZ 12 A(208) |
| 22-18-2131 | A-4455-CZ 13 A(208) |
| 22-18-2141 | A-4455-CZ 14 A(208) |
| 22-18-2151 | A-4455-CZ 15 A(208) |
| 22-18-2161 | A-4455-CZ 16 A(208) |
| 22-18-2171 | A-4455-CZ 17 A(208) |
| 22-18-2181 | A-4455-CZ 18 A(208) |
| 22-18-2191 | A-4455-CZ 19 A(208) |
| 22-18-2201 | A-4455-CZ 20 A(208) |

| Material No | Engineer Number |
|-------------|---------------------|
| 22-15-4025 | A-4455-AZ02B(P909) |
| 22-15-4035 | A-4455-AZ 03B(P909) |
| 22-15-4045 | A-4455-AZ 04B(P909) |
| 22-15-4055 | A-4455-AZ 05B(P909) |
| 22-15-4065 | A-4455-AZ 06B(P909) |
| 22-15-4075 | A-4455-AZ 07B(P909) |
| 22-15-4085 | A-4455-AZ 08B(P909) |
| 22-15-4095 | A-4455-AZ 09B(P909) |
| 22-15-4105 | A-4455-AZ 10B(P909) |
| 22-15-4115 | A-4455-AZ 11B(P909) |
| 22-15-4125 | A-4455-AZ 12B(P909) |
| 22-15-4135 | A-4455-AZ 13B(P909) |
| 22-15-4145 | A-4455-AZ 14B(P909) |
| 22-15-4155 | A-4455-AZ 15B(P909) |
| 22-15-4165 | A-4455-AZ 16B(P909) |
| 22-15-4175 | A-4455-AZ 17B(P909) |
| 22-15-4185 | A-4455-AZ 18B(P909) |
| 22-15-4195 | A-4455-AZ 19B(P909) |
| 22-15-4205 | A-4455-AZ 20B(P909) |

| | | | | | |
|-------------------------|-------------------------|------------------|--|--------------------|---------------------|
| REV: | ECM INFORMATION: | <u>TITLE:</u> | KK 100 PCB ASSY 4455 SERIES DWG | <u>SHEET No.</u> | |
| D15 | ECM No.: 602687 | | | - 4 - | |
| | DATE: 22/06/2018 | | | | |
| <u>DOCUMENT NUMBER:</u> | <u>DOC TYPE:</u> | <u>DOC PART:</u> | <u>CREATED / REVISED BY:</u> | <u>CHECKED BY:</u> | <u>APPROVED BY:</u> |
| SDA-4455 | PSD | 002 | SS06 | SS06 | ISHWARG |



KK 100 PCB ASSY 2-20 CKT

4455 SERIES

| | |
|--------------|--------------|
| Assy Proc: | RIGHT ANGLE |
| Hooks Cut: | NO |
| Housing No: | 4455-N |
| Terminal No: | 6516-4(565) |
| Dim C: | 3.35 / .132 |
| Plating: | 565 |
| Packaging: | PK-44646-001 |
| Voids: | NONE |

| | |
|--------------|--------------|
| Assy Proc: | RIGHT ANGLE |
| Hooks Cut: | NO |
| Housing No: | 4455-N |
| Terminal No: | 6516-4(208) |
| Dim C: | 3.35 / .132 |
| Plating: | 208 |
| Packaging: | PK-44646-001 |
| Voids: | NONE |

| | |
|--------------|--------------|
| Assy Proc: | BOTTOM ENTRY |
| Hooks Cut: | NO |
| Housing No: | 4455-N2 |
| Terminal No: | 6516-3B(565) |
| Dim C: | 3.35 / .132 |
| Plating: | 565 |
| Packaging: | PK-44646-001 |
| Voids: | NONE |

| | |
|--------------|--------------|
| Assy Proc: | BOTTOM ENTRY |
| Hooks Cut: | NO |
| Housing No: | 4455-N2 |
| Terminal No: | 6516-3B(208) |
| Dim C: | 3.35 / .132 |
| Plating: | 208 |
| Packaging: | PK-44646-001 |
| Voids: | NONE |

| Ckts |
|------|
| 2 |
| 3 |
| 4 |
| 5 |
| 6 |
| 7 |
| 8 |
| 9 |
| 10 |
| 11 |
| 12 |
| 13 |
| 14 |
| 15 |
| 16 |
| 17 |
| 18 |
| 19 |
| 20 |

| Material No | Engineer Number |
|-------------|---------------------|
| 22-16-2024 | A-4455-AZ02B(565) |
| 22-16-2034 | A-4455-AZ 03 B(565) |
| 22-16-2044 | A-4455-AZ 04 B(565) |
| 22-16-2054 | A-4455-AZ 05 B(565) |
| 22-16-2064 | A-4455-AZ 06 B(565) |
| 22-16-2074 | A-4455-AZ 07 B(565) |
| 22-16-2084 | A-4455-AZ 08 B(565) |
| 22-16-2094 | A-4455-AZ 09 B(565) |
| 22-16-2104 | A-4455-AZ 10 B(565) |
| 22-16-2114 | A-4455-AZ 11 B(565) |
| 22-16-2124 | A-4455-AZ 12 B(565) |
| 22-16-2134 | A-4455-AZ 13 B(565) |
| 22-16-2144 | A-4455-AZ 14 B(565) |
| 22-16-2154 | A-4455-AZ 15 B(565) |
| 22-16-2164 | A-4455-AZ 16 B(565) |
| 22-16-2174 | A-4455-AZ 17 B(565) |
| 22-16-2184 | A-4455-AZ 18 B(565) |
| 22-16-2194 | A-4455-AZ 19 B(565) |
| 22-16-2204 | A-4455-AZ 20 B(565) |

| Material No | Engineer Number |
|-------------|---------------------|
| | A-4455-AZ02B(208) |
| | A-4455-AZ 03 B(208) |
| | A-4455-AZ 04 B(208) |
| | A-4455-AZ 05 B(208) |
| | A-4455-AZ 06 B(208) |
| | A-4455-AZ 07 B(208) |
| | A-4455-AZ 08 B(208) |
| | A-4455-AZ 09 B(208) |
| | A-4455-AZ 10 B(208) |
| | A-4455-AZ 11 B(208) |
| | A-4455-AZ 12 B(208) |
| | A-4455-AZ 13 B(208) |
| | A-4455-AZ 14 B(208) |
| | A-4455-AZ 15 B(208) |
| | A-4455-AZ 16 B(208) |
| | A-4455-AZ 17 B(208) |
| | A-4455-AZ 18 B(208) |
| | A-4455-AZ 19 B(208) |
| | A-4455-AZ 20 B(208) |

| Material No | Engineer Number |
|-------------|---------------------|
| 22-17-2021 | A-4455-BH02J(565) |
| 22-17-2031 | A-4455-BH 03 J(565) |
| 22-17-2041 | A-4455-BH 04 J(565) |
| 22-17-2051 | A-4455-BH 05 J(565) |
| 22-17-2061 | A-4455-BH 06 J(565) |
| 22-17-2071 | A-4455-BH 07 J(565) |
| 22-17-2081 | A-4455-BH 08 J(565) |
| 22-17-2091 | A-4455-BH 09 J(565) |
| 22-17-2101 | A-4455-BH 10 J(565) |
| 22-17-2111 | A-4455-BH 11 J(565) |
| 22-17-2121 | A-4455-BH 12 J(565) |
| 22-17-2131 | A-4455-BH 13 J(565) |
| 22-17-2141 | A-4455-BH 14 J(565) |
| 22-17-2151 | A-4455-BH 15 J(565) |
| 22-17-2161 | A-4455-BH 16 J(565) |
| 22-17-2171 | A-4455-BH 17 J(565) |
| 22-17-2181 | A-4455-BH 18 J(565) |
| 22-17-2191 | A-4455-BH 19 J(565) |
| 22-17-2201 | A-4455-BH 20 J(565) |

| Material No | Engineer Number |
|-------------|---------------------|
| | A-4455-BH02J(208) |
| | A-4455-BH 03 J(208) |
| | A-4455-BH 04 J(208) |
| | A-4455-BH 05 J(208) |
| | A-4455-BH 06 J(208) |
| | A-4455-BH 07 J(208) |
| | A-4455-BH 08 J(208) |
| | A-4455-BH 09 J(208) |
| | A-4455-BH 10 J(208) |
| | A-4455-BH 11 J(208) |
| | A-4455-BH 12 J(208) |
| | A-4455-BH 13 J(208) |
| | A-4455-BH 14 J(208) |
| | A-4455-BH 15 J(208) |
| | A-4455-BH 16 J(208) |
| | A-4455-BH 17 J(208) |
| | A-4455-BH 18 J(208) |
| | A-4455-BH 19 J(208) |
| | A-4455-BH 20 J(208) |

| | | | | | |
|-------------------------|-------------------------|------------------|--|--------------------|---------------------|
| REV: | ECM INFORMATION: | <u>TITLE:</u> | KK 100 PCB ASSY 4455 SERIES DWG | <u>SHEET No.</u> | |
| D15 | ECM No.: 602687 | | | - 5 - | |
| | DATE: 22/06/2018 | | | | |
| <u>DOCUMENT NUMBER:</u> | <u>DOC TYPE:</u> | <u>DOC PART:</u> | <u>CREATED / REVISED BY:</u> | <u>CHECKED BY:</u> | <u>APPROVED BY:</u> |
| SDA-4455 | PSD | 002 | SS06 | SS06 | ISHWARG |



KK 100 PCB ASSY 2-20 CKT

4455 SERIES

| | |
|--------------|--------------|
| Assy Proc: | TOP ENTRY |
| Hooks Cut: | NO |
| Housing No: | 4455-N |
| Terminal No: | 6516-4(P909) |
| Dim C: | 3.35 / .132 |
| Plating: | P909 |
| Packaging: | PK-44646-001 |
| Voids: | NONE |

| | |
|--------------|--------------|
| Assy Proc: | TOP ENTRY |
| Hooks Cut: | NO |
| Housing No: | 4455-N |
| Terminal No: | 6516-4(565) |
| Dim C: | 3.35 / .132 |
| Plating: | 565 |
| Packaging: | PK-44646-001 |
| Voids: | NONE |

| | |
|--------------|--------------|
| Assy Proc: | TOP ENTRY |
| Hooks Cut: | NO |
| Housing No: | 4455-N |
| Terminal No: | 6516-4(208) |
| Dim C: | 3.35 / .132 |
| Plating: | 208 |
| Packaging: | PK-44646-001 |
| Voids: | NONE |

| Ckts |
|------|
| 2 |
| 3 |
| 4 |
| 5 |
| 6 |
| 7 |
| 8 |
| 9 |
| 10 |
| 11 |
| 12 |
| 13 |
| 14 |
| 15 |
| 16 |
| 17 |
| 18 |
| 19 |
| 20 |

| Material No | Engineer Number |
|-------------|----------------------|
| | A-4455-CZ02B(P909) |
| | A-4455-CZ 03 B(P909) |
| | A-4455-CZ 04 B(P909) |
| | A-4455-CZ 05 B(P909) |
| | A-4455-CZ 06 B(P909) |
| | A-4455-CZ 07 B(P909) |
| | A-4455-CZ 08 B(P909) |
| | A-4455-CZ 09 B(P909) |
| | A-4455-CZ 10 B(P909) |
| | A-4455-CZ 11 B(P909) |
| | A-4455-CZ 12 B(P909) |
| | A-4455-CZ 13 B(P909) |
| | A-4455-CZ 14 B(P909) |
| | A-4455-CZ 15 B(P909) |
| | A-4455-CZ 16 B(P909) |
| | A-4455-CZ 17 B(P909) |
| | A-4455-CZ 18 B(P909) |
| | A-4455-CZ 19 B(P909) |
| | A-4455-CZ 20 B(P909) |

| Material No | Engineer Number |
|-------------|---------------------|
| 22-18-2022 | A-4455-CZ02B(565) |
| 22-18-2032 | A-4455-CZ 03 B(565) |
| 22-18-2042 | A-4455-CZ 04 B(565) |
| 22-18-2052 | A-4455-CZ 05 B(565) |
| 22-18-2062 | A-4455-CZ 06 B(565) |
| 22-18-2072 | A-4455-CZ 07 B(565) |
| 22-18-2082 | A-4455-CZ 08 B(565) |
| 22-18-2092 | A-4455-CZ 09 B(565) |
| 22-18-2102 | A-4455-CZ 10 B(565) |
| 22-18-2112 | A-4455-CZ 11 B(565) |
| 22-18-2122 | A-4455-CZ 12 B(565) |
| 22-18-2132 | A-4455-CZ 13 B(565) |
| 22-18-2142 | A-4455-CZ 14 B(565) |
| 22-18-2152 | A-4455-CZ 15 B(565) |
| 22-18-2162 | A-4455-CZ 16 B(565) |
| 22-18-2172 | A-4455-CZ 17 B(565) |
| 22-18-2182 | A-4455-CZ 18 B(565) |
| 22-18-2192 | A-4455-CZ 19 B(565) |
| 22-18-2202 | A-4455-CZ 20 B(565) |

| Material No | Engineer Number |
|-------------|---------------------|
| | A-4455-CZ02B(208) |
| | A-4455-CZ 03B(208) |
| | A-4455-CZ 04 B(208) |
| | A-4455-CZ 05 B(208) |
| | A-4455-CZ 06 B(208) |
| | A-4455-CZ 07 B(208) |
| | A-4455-CZ 08 B(208) |
| | A-4455-CZ 09 B(208) |
| | A-4455-CZ 10 B(208) |
| | A-4455-CZ 11 B(208) |
| | A-4455-CZ 12 B(208) |
| | A-4455-CZ 13 B(208) |
| | A-4455-CZ 14 B(208) |
| | A-4455-CZ 15 B(208) |
| | A-4455-CZ 16 B(208) |
| | A-4455-CZ 17 B(208) |
| | A-4455-CZ 18 B(208) |
| | A-4455-CZ 19 B(208) |
| | A-4455-CZ 20 B(208) |

| | | | | | |
|-------------------------|-------------------------|--|------------------------------|--------------------|---------------------|
| REV: | ECM INFORMATION: | TITLE: | SHEET No. | | |
| D15 | ECM No.: 602687 | KK 100 PCB ASSY 4455 SERIES DWG | - 6 - | | |
| | DATE: 22/06/2018 | | | | |
| DOCUMENT NUMBER: | DOC TYPE: | DOC PART: | CREATED / REVISED BY: | CHECKED BY: | APPROVED BY: |
| SDA-4455 | PSD | 002 | SS06 | SS06 | ISHWARG |



KK 100 PCB ASSY 2-20 CKT

4455 SERIES

| | |
|--------------|--------------|
| Assy Proc: | RIGHT ANGLE |
| Hooks Cut: | NO |
| Housing No: | 4455-BN |
| Terminal No: | 4316-4(228) |
| Dim C: | 3.35 / .132 |
| Plating: | 228 |
| Packaging: | PK-44646-002 |
| Voids: | NONE |

| | |
|--------------|--------------|
| Assy Proc: | RIGHT ANGLE |
| Hooks Cut: | NO |
| Housing No: | 4455-BN |
| Terminal No: | 4316-4(P909) |
| Dim C: | 3.35 / .132 |
| Plating: | P909 |
| Packaging: | PK-44646-002 |
| Voids: | NONE |

| Ckts | Material No | Engineer Number |
|------|-------------|---------------------|
| 2 | | A-4455-AB02A(228) |
| 3 | | A-4455-AB 03 A(228) |
| 4 | | A-4455-AB 04 A(228) |
| 5 | | A-4455-AB 05 A(228) |
| 6 | 50-34-8518 | A-4455-AB 06 A(228) |
| 7 | | A-4455-AB 07 A(228) |
| 8 | | A-4455-AB 08 A(228) |
| 9 | | A-4455-AB 09 A(228) |
| 10 | | A-4455-AB 10 A(228) |
| 11 | | A-4455-AB 11 A(228) |
| 12 | | A-4455-AB 12 A(228) |
| 13 | | A-4455-AB 13 A(228) |
| 14 | | A-4455-AB 14 A(228) |
| 15 | | A-4455-AB 15 A(228) |
| 16 | | A-4455-AB 16 A(228) |
| 17 | | A-4455-AB 17 A(228) |
| 18 | | A-4455-AB 18 A(228) |
| 19 | | A-4455-AB 19 A(228) |
| 20 | | A-4455-AB 20 A(228) |

| Material No | Engineer Number |
|-------------|---------------------|
| 22-15-4024 | A-4455-AB02A(P909) |
| 22-15-4034 | A-4455-AB 03A(P909) |
| 22-15-4044 | A-4455-AB 04A(P909) |
| 22-15-4054 | A-4455-AB 05A(P909) |
| 22-15-4064 | A-4455-AB 06A(P909) |
| 22-15-4074 | A-4455-AB 07A(P909) |
| 22-15-4084 | A-4455-AB 08A(P909) |
| 22-15-4094 | A-4455-AB 09A(P909) |
| 22-15-4104 | A-4455-AB 10A(P909) |
| 22-15-4114 | A-4455-AB 11A(P909) |
| 22-15-4124 | A-4455-AB 12A(P909) |
| 22-15-4134 | A-4455-AB 13A(P909) |
| 22-15-4144 | A-4455-AB 14A(P909) |
| 22-15-4154 | A-4455-AB 15A(P909) |
| 22-15-4164 | A-4455-AB 16A(P909) |
| 22-15-4174 | A-4455-AB 17A(P909) |
| 22-15-4184 | A-4455-AB 18A(P909) |
| 22-15-4194 | A-4455-AB 19A(P909) |
| 22-15-4204 | A-4455-AB 20A(P909) |

| | | | | | |
|-------------------------|-------------------------|--|------------------------------|--------------------|---------------------|
| REV: | ECM INFORMATION: | TITLE: | SHEET No. | | |
| D15 | ECM No.: 602687 | KK 100 PCB ASSY 4455 SERIES DWG | - 7 - | | |
| | DATE: 22/06/2018 | | | | |
| DOCUMENT NUMBER: | DOC TYPE: | DOC PART: | CREATED / REVISED BY: | CHECKED BY: | APPROVED BY: |
| SDA-4455 | PSD | 002 | SS06 | SS06 | ISHWARG |



KK 100 PCB ASSY 2-20 CKT

4455 SERIES

| | |
|--------------|--------------|
| Assy Proc: | RIGHT ANGLE |
| Hooks Cut: | NO |
| Housing No: | 4455-NR |
| Terminal No: | 4316-4(P909) |
| Dim C: | 3.35 / .132 |
| Plating: | P909 |
| Packaging: | PK-44646-001 |
| Voids: | NONE |

| | |
|--------------|--------------|
| Assy Proc: | RIGHT ANGLE |
| Hooks Cut: | NO |
| Housing No: | 4455-N |
| Terminal No: | 4316-4(228) |
| Dim C: | 3.35 / .132 |
| Plating: | 228 |
| Packaging: | PK-44646-001 |
| Voids: | NONE |

| | |
|--------------|--------------|
| Assy Proc: | RIGHT ANGLE |
| Hooks Cut: | NO |
| Housing No: | 4455-N |
| Terminal No: | 6516-4(228) |
| Dim C: | 3.35 / .132 |
| Plating: | 228 |
| Packaging: | PK-44646-001 |
| Voids: | NONE |

| | |
|--------------|--------------|
| Assy Proc: | RIGHT ANGLE |
| Hooks Cut: | NO |
| Housing No: | 4455-N |
| Terminal No: | 6516-4(228) |
| Dim C: | 3.35 / .132 |
| Plating: | 228 |
| Packaging: | PK-44646-001 |
| Voids: | NONE |

| Ckts | Material No | Engineer Number | Material No | Engineer Number | Material No | Engineer Number | Material No | Engineer Number |
|------|-------------|----------------------|-------------|---------------------|-------------|---------------------|-------------|---------------------|
| 2 | 22-15-4022 | A-4455-AR02A(P909) | | A-4455-AZ02A(228) | 22-17-5023 | A-4455-AZ02B(228) | 22-16-2022 | A-4455-AZ02B(228) |
| 3 | 22-15-4032 | A-4455-AR 03 A(P909) | | A-4455-AZ 03 A(228) | 22-17-5033 | A-4455-AZ 03 B(228) | 22-16-2032 | A-4455-AZ 03 B(228) |
| 4 | 22-15-4042 | A-4455-AR 04 A(P909) | | A-4455-AZ 04 A(228) | 22-17-5043 | A-4455-AZ 04 B(228) | 22-16-2042 | A-4455-AZ 04 B(228) |
| 5 | 22-15-4052 | A-4455-AR 05 A(P909) | | A-4455-AZ 05 A(228) | 22-17-5053 | A-4455-AZ 05 B(228) | 22-16-2052 | A-4455-AZ 05 B(228) |
| 6 | 22-15-4062 | A-4455-AR 06 A(P909) | | A-4455-AZ 06 A(228) | 22-17-5063 | A-4455-AZ 06 B(228) | 22-16-2062 | A-4455-AZ 06 B(228) |
| 7 | 22-15-4072 | A-4455-AR 07 A(P909) | | A-4455-AZ 07 A(228) | 22-17-5073 | A-4455-AZ 07 B(228) | 22-16-2072 | A-4455-AZ 07 B(228) |
| 8 | 22-15-4082 | A-4455-AR 08 A(P909) | | A-4455-AZ 08 A(228) | 22-17-5083 | A-4455-AZ 08 B(228) | 22-16-2082 | A-4455-AZ 08 B(228) |
| 9 | 22-15-4092 | A-4455-AR 09 A(P909) | | A-4455-AZ 09 A(228) | 22-17-5093 | A-4455-AZ 09 B(228) | 22-16-2092 | A-4455-AZ 09 B(228) |
| 10 | 22-15-4102 | A-4455-AR 10 A(P909) | | A-4455-AZ 10 A(228) | 22-17-5103 | A-4455-AZ 10 B(228) | 22-16-2102 | A-4455-AZ 10 B(228) |
| 11 | 22-15-4112 | A-4455-AR 11 A(P909) | | A-4455-AZ 11 A(228) | 22-17-5113 | A-4455-AZ 11 B(228) | 22-16-2112 | A-4455-AZ 11 B(228) |
| 12 | 22-15-4122 | A-4455-AR 12 A(P909) | | A-4455-AZ 12 A(228) | 22-17-5123 | A-4455-AZ 12 B(228) | 22-16-2122 | A-4455-AZ 12 B(228) |
| 13 | 22-15-4132 | A-4455-AR 13 A(P909) | | A-4455-AZ 13 A(228) | 22-17-5133 | A-4455-AZ 13 B(228) | 22-16-2132 | A-4455-AZ 13 B(228) |
| 14 | 22-15-4142 | A-4455-AR 14 A(P909) | | A-4455-AZ 14 A(228) | 22-17-5143 | A-4455-AZ 14 B(228) | 22-16-2142 | A-4455-AZ 14 B(228) |
| 15 | 22-15-4152 | A-4455-AR 15 A(P909) | | A-4455-AZ 15 A(228) | 22-17-5153 | A-4455-AZ 15 B(228) | 22-16-2152 | A-4455-AZ 15 B(228) |
| 16 | 22-15-4162 | A-4455-AR 16 A(P909) | | A-4455-AZ 16 A(228) | 22-17-5163 | A-4455-AZ 16 B(228) | 22-16-2162 | A-4455-AZ 16 B(228) |
| 17 | 22-15-4172 | A-4455-AR 17 A(P909) | | A-4455-AZ 17 A(228) | 22-17-5173 | A-4455-AZ 17 B(228) | 22-16-2172 | A-4455-AZ 17 B(228) |
| 18 | 22-15-4182 | A-4455-AR 18 A(P909) | | A-4455-AZ 18 A(228) | 22-17-5183 | A-4455-AZ 18 B(228) | 22-16-2182 | A-4455-AZ 18 B(228) |
| 19 | 22-15-4192 | A-4455-AR 19 A(P909) | | A-4455-AZ 19 A(228) | 22-17-5193 | A-4455-AZ 19 B(228) | 22-16-2192 | A-4455-AZ 19 B(228) |
| 20 | 22-15-4202 | A-4455-AR 20 A(P909) | 22-17-5201 | A-4455-AZ 20 A(228) | 22-17-5203 | A-4455-AZ 20 B(228) | 22-16-2202 | A-4455-AZ 20 B(228) |

| | | | | | |
|-------------------------|-------------------------|------------------|---|--------------------|---------------------|
| REV: | ECM INFORMATION: | <u>TITLE:</u> | <h1 style="margin: 0;">KK 100 PCB ASSY</h1> <h2 style="margin: 0;">4455 SERIES DWG</h2> | <u>SHEET No.</u> | |
| D15 | ECM No.: 602687 | | | - 8 - | |
| | DATE: 22/06/2018 | | | | |
| <u>DOCUMENT NUMBER:</u> | <u>DOC TYPE:</u> | <u>DOC PART:</u> | <u>CREATED / REVISED BY:</u> | <u>CHECKED BY:</u> | <u>APPROVED BY:</u> |
| SDA-4455 | PSD | 002 | SS06 | SS06 | ISHWARG |



KK 100 PCB ASSY 2-20 CKT

4455 SERIES

| | Assy Proc: | BOTTOM ENTRY | Assy Proc: | BOTTOM ENTRY | Assy Proc: | BOTTOM ENTRY | Assy Proc: | BOTTOM ENTRY |
|------|--------------|-------------------|--------------|---------------------|--------------|-------------------|--------------|-------------------|
| | Hooks Cut: | NO | Hooks Cut: | NO | Hooks Cut: | NO | Hooks Cut: | NO |
| | Housing No: | 4455-N2 | Housing No: | 4455-N2 | Housing No: | 4455-N2 | Housing No: | 4455-N2 |
| | Terminal No: | 4316-3B(228) | Terminal No: | 4316-3B(231) | Terminal No: | 4316-3B(228) | Terminal No: | 6516-3B(228) |
| | Dim C: | 3.35 / .132 | Dim C: | 3.35 / .132 | Dim C: | 3.35 / .132 | Dim C: | 3.35 / .132 |
| | Plating: | 228 | Plating: | 231 | Plating: | 228 | Plating: | 228 |
| | Packaging: | PK-44646-001 | Packaging: | PK-44646-001 | Packaging: | PK-44646-001 | Packaging: | PK-44646-001 |
| | Voids: | NO | Voids: | NO | Voids: | NO | Voids: | NO |
| | | | | | | | | |
| Ckts | Material No | Engineer Number | Material No | Engineer Number | Material No | Engineer Number | Material No | Engineer Number |
| 2 | 22-17-2024 | A-4455-BH02D(228) | | A-4455-BH02D(231) | | A-4455-BH02D(228) | 22-17-2027 | A-4455-BH02J(228) |
| 3 | 22-17-2034 | A-4455-BH03D(228) | | A-4455-BH 03 D(231) | | A-4455-BH03D(228) | 22-17-2037 | A-4455-BH03J(228) |
| 4 | 22-17-2044 | A-4455-BH04D(228) | | A-4455-BH 04 D(231) | | A-4455-BH04D(228) | 22-17-2047 | A-4455-BH04J(228) |
| 5 | 22-17-2054 | A-4455-BH05D(228) | | A-4455-BH 05 D(231) | 22-17-3056 | A-4455-BH05D(228) | 22-17-2057 | A-4455-BH05J(228) |
| 6 | 22-17-2064 | A-4455-BH06D(228) | | A-4455-BH 06 D(231) | 22-17-3066 | A-4455-BH06D(228) | 22-17-2067 | A-4455-BH06J(228) |
| 7 | 22-17-2074 | A-4455-BH07D(228) | | A-4455-BH 07 D(231) | | A-4455-BH07D(228) | 22-17-2077 | A-4455-BH07J(228) |
| 8 | 22-17-2084 | A-4455-BH08D(228) | | A-4455-BH 08 D(231) | 22-17-3086 | A-4455-BH08D(228) | 22-17-2087 | A-4455-BH08J(228) |
| 9 | 22-17-2094 | A-4455-BH09D(228) | | A-4455-BH 09 D(231) | | A-4455-BH09D(228) | 22-17-2097 | A-4455-BH09J(228) |
| 10 | 22-17-2104 | A-4455-BH10D(228) | | A-4455-BH 10 D(231) | | A-4455-BH10D(228) | 22-17-2107 | A-4455-BH10J(228) |
| 11 | 22-17-2114 | A-4455-BH11D(228) | | A-4455-BH 11 D(231) | | A-4455-BH11D(228) | 22-17-2117 | A-4455-BH11J(228) |
| 12 | 22-17-2124 | A-4455-BH12D(228) | | A-4455-BH 12 D(231) | | A-4455-BH12D(228) | 22-17-2127 | A-4455-BH12J(228) |
| 13 | 22-17-2134 | A-4455-BH13D(228) | | A-4455-BH 13 D(231) | | A-4455-BH13D(228) | 22-17-2137 | A-4455-BH13J(228) |
| 14 | 22-17-2144 | A-4455-BH14D(228) | 22-17-2140 | A-4455-BH 14 D(231) | 22-17-3146 | A-4455-BH14D(228) | 22-17-2147 | A-4455-BH14J(228) |
| 15 | 22-17-2154 | A-4455-BH15D(228) | | A-4455-BH 15 D(231) | | A-4455-BH15D(228) | 22-17-2157 | A-4455-BH15J(228) |
| 16 | 22-17-2164 | A-4455-BH16D(228) | | A-4455-BH 16 D(231) | | A-4455-BH16D(228) | 22-17-2167 | A-4455-BH16J(228) |
| 17 | 22-17-2174 | A-4455-BH17D(228) | | A-4455-BH 17 D(231) | | A-4455-BH17D(228) | 22-17-2177 | A-4455-BH17J(228) |
| 18 | 22-17-2184 | A-4455-BH18D(228) | | A-4455-BH 18 D(231) | | A-4455-BH18D(228) | 22-17-2187 | A-4455-BH18J(228) |
| 19 | 22-17-2194 | A-4455-BH19D(228) | | A-4455-BH 19 D(231) | 22-17-3196 | A-4455-BH19D(228) | 22-17-2197 | A-4455-BH19J(228) |
| 20 | 22-17-2204 | A-4455-BH20D(228) | 22-17-2200 | A-4455-BH 20 D(231) | 22-17-3206 | A-4455-BH20D(228) | 22-17-2207 | A-4455-BH20J(228) |

| | | | | | |
|-------------------------|-------------------------|------------------|--|--------------------|---------------------|
| REV: | ECM INFORMATION: | <u>TITLE:</u> | KK 100 PCB ASSY 4455 SERIES DWG | <u>SHEET No.</u> | |
| D15 | ECM No.: 602687 | | | - 9 - | |
| | DATE: 22/06/2018 | | | | |
| <u>DOCUMENT NUMBER:</u> | <u>DOC TYPE:</u> | <u>DOC PART:</u> | <u>CREATED / REVISED BY:</u> | <u>CHECKED BY:</u> | <u>APPROVED BY:</u> |
| SDA-4455 | PSD | 002 | SS06 | SS06 | ISHWARG |



KK 100 PCB ASSY 2-20 CKT

4455 SERIES

| Ckts | Assy Proc: TOP ENTRY | | Assy Proc: TOP ENTRY | | Assy Proc: TOP ENTRY | | Assy Proc: TOP ENTRY | |
|------|----------------------|---------------------|----------------------|---------------------|----------------------|---------------------|----------------------|---------------------|
| | Material No | Engineer Number | Material No | Engineer Number | Material No | Engineer Number | Material No | Engineer Number |
| 2 | | A-4455-CP02A(208) | 22-18-2026 | A-4455-CY02A(565) | 22-02-7023 | A-4455-CY02A(P909) | 22-15-4028 | A-4455-CB02A(P909) |
| 3 | | A-4455-CP 03 A(208) | 22-18-2036 | A-4455-CY 03 A(565) | 22-02-7033 | A-4455-CY 03A(P909) | 22-15-4038 | A-4455-CB 03A(P909) |
| 4 | | A-4455-CP 04 A(208) | 22-18-2046 | A-4455-CY 04 A(565) | 22-02-7043 | A-4455-CY 04A(P909) | 22-15-4048 | A-4455-CB 04A(P909) |
| 5 | 22-18-2057 | A-4455-CP 05 A(208) | 22-18-2056 | A-4455-CY 05 A(565) | 22-02-7053 | A-4455-CY 05A(P909) | 22-15-4058 | A-4455-CB 05A(P909) |
| 6 | | A-4455-CP 06 A(208) | 22-18-2066 | A-4455-CY 06 A(565) | 22-02-7063 | A-4455-CY 06A(P909) | 22-15-4068 | A-4455-CB 06A(P909) |
| 7 | | A-4455-CP 07 A(208) | 22-18-2076 | A-4455-CY 07 A(565) | 22-02-7073 | A-4455-CY 07A(P909) | 22-15-4078 | A-4455-CB 07A(P909) |
| 8 | | A-4455-CP 08 A(208) | 22-18-2086 | A-4455-CY 08 A(565) | 22-02-7083 | A-4455-CY 08A(P909) | 22-15-4088 | A-4455-CB 08A(P909) |
| 9 | | A-4455-CP 09 A(208) | 22-18-2096 | A-4455-CY 09 A(565) | 22-02-7093 | A-4455-CY 09A(P909) | 22-15-4098 | A-4455-CB 09A(P909) |
| 10 | | A-4455-CP 10 A(208) | 22-18-2106 | A-4455-CY 10 A(565) | 22-02-7103 | A-4455-CY 10A(P909) | 22-15-4108 | A-4455-CB 10A(P909) |
| 11 | | A-4455-CP 11 A(208) | 22-18-2116 | A-4455-CY 11 A(565) | 22-02-7113 | A-4455-CY 11A(P909) | 22-15-4118 | A-4455-CB 11A(P909) |
| 12 | | A-4455-CP 12 A(208) | 22-18-2126 | A-4455-CY 12 A(565) | 22-02-7123 | A-4455-CY 12A(P909) | 22-15-4128 | A-4455-CB 12A(P909) |
| 13 | | A-4455-CP 13 A(208) | 22-18-2136 | A-4455-CY 13 A(565) | 22-02-7133 | A-4455-CY 13A(P909) | 22-15-4138 | A-4455-CB 13A(P909) |
| 14 | | A-4455-CP 14 A(208) | 22-18-2146 | A-4455-CY 14 A(565) | 22-02-7143 | A-4455-CY 14A(P909) | 22-15-4148 | A-4455-CB 14A(P909) |
| 15 | | A-4455-CP 15 A(208) | 22-18-2156 | A-4455-CY 15 A(565) | 22-02-7153 | A-4455-CY 15A(P909) | 22-15-4158 | A-4455-CB 15A(P909) |
| 16 | | A-4455-CP 16 A(208) | 22-18-2166 | A-4455-CY 16 A(565) | 22-02-7163 | A-4455-CY 16A(P909) | 22-15-4168 | A-4455-CB 16A(P909) |
| 17 | | A-4455-CP 17 A(208) | 22-18-2176 | A-4455-CY 17 A(565) | 22-02-7173 | A-4455-CY 17A(P909) | 22-15-4178 | A-4455-CB 17A(P909) |
| 18 | | A-4455-CP 18 A(208) | 22-18-2186 | A-4455-CY 18 A(565) | 22-02-7183 | A-4455-CY 18A(P909) | 22-15-4188 | A-4455-CB 18A(P909) |
| 19 | | A-4455-CP 19 A(208) | 22-18-2196 | A-4455-CY 19 A(565) | 22-02-7193 | A-4455-CY 19A(P909) | 22-15-4198 | A-4455-CB 19A(P909) |
| 20 | | A-4455-CP 20 A(208) | 22-18-2206 | A-4455-CY 20 A(565) | 22-02-7203 | A-4455-CY 20A(P909) | 22-15-4208 | A-4455-CB 20A(P909) |

| | | | | | |
|-------------------------|-------------------------|------------------|--|--------------------|---------------------|
| REV: | ECM INFORMATION: | <u>TITLE:</u> | KK 100 PCB ASSY 4455 SERIES DWG | <u>SHEET No.</u> | |
| D15 | ECM No.: 602687 | | | - 10 - | |
| | DATE: 22/06/2018 | | | | |
| <u>DOCUMENT NUMBER:</u> | <u>DOC TYPE:</u> | <u>DOC PART:</u> | <u>CREATED / REVISED BY:</u> | <u>CHECKED BY:</u> | <u>APPROVED BY:</u> |
| SDA-4455 | PSD | 002 | SS06 | SS06 | ISHWARG |



KK 100 PCB ASSY 2-20 CKT

4455 SERIES

| Ckts | Assy Proc: TOP ENTRY | | Assy Proc: TOP ENTRY | | Assy Proc: TOP ENTRY | | Assy Proc: TOP ENTRY | |
|------|----------------------|---------------------|----------------------|---------------------|----------------------|---------------------|--------------------------|---------------------|
| | Material No | Engineer Number | Material No | Engineer Number | Material No | Engineer Number | Material No | Engineer Number |
| 2 | 22-65-3020 | A-4455-CR02A(P909) | 22-18-2024 | A-4455-CZ02B(228) | 22-18-7023 | A-4455-CY02A(208) | 22-18-7021 | A-4455-CY02B(228) |
| 3 | 22-65-3030 | A-4455-CR 03A(P909) | 22-18-2034 | A-4455-CZ 03 B(228) | 22-18-7033 | A-4455-CY 03 A(208) | 22-18-7031 38-00-1478 | A-4455-CY 03 B(228) |
| 4 | 22-65-3040 | A-4455-CR 04A(P909) | 22-18-2044 | A-4455-CZ 04 B(228) | 22-18-7043 | A-4455-CY 04 A(208) | 22-18-7041 | A-4455-CY 04 B(228) |
| 5 | 22-65-3050 | A-4455-CR 05A(P909) | 22-18-2054 | A-4455-CZ 05 B(228) | 22-18-7053 | A-4455-CY 05 A(208) | 22-18-7051 | A-4455-CY 05 B(228) |
| 6 | 22-65-3060 | A-4455-CR 06A(P909) | 22-18-2064 | A-4455-CZ 06 B(228) | 22-18-7063 | A-4455-CY 06 A(208) | 22-18-7061 | A-4455-CY 06 B(228) |
| 7 | 22-65-3070 | A-4455-CR 07A(P909) | 22-18-2074 | A-4455-CZ 07 B(228) | 22-18-7073 | A-4455-CY 07 A(208) | 22-18-7071 | A-4455-CY 07 B(228) |
| 8 | 22-65-3080 | A-4455-CR 08A(P909) | 22-18-2084 | A-4455-CZ 08 B(228) | 22-18-7083 | A-4455-CY 08 A(208) | 22-18-7081 | A-4455-CY 08 B(228) |
| 9 | 22-65-3090 | A-4455-CR 09A(P909) | 22-18-2094 | A-4455-CZ 09 B(228) | 22-18-7093 | A-4455-CY 09 A(208) | 22-18-7091 | A-4455-CY 09 B(228) |
| 10 | 22-65-3100 | A-4455-CR 10A(P909) | 22-18-2104 | A-4455-CZ 10 B(228) | 22-18-7103 | A-4455-CY 10 A(208) | 22-18-7101 | A-4455-CY 10 B(228) |
| 11 | 22-65-3110 | A-4455-CR 11A(P909) | 22-18-2114 | A-4455-CZ 11 B(228) | 22-18-7113 | A-4455-CY 11 A(208) | 22-18-7111 | A-4455-CY 11 B(228) |
| 12 | 22-65-3120 | A-4455-CR 12A(P909) | 22-18-2124 | A-4455-CZ 12 B(228) | 22-18-7123 | A-4455-CY 12 A(208) | 22-18-7121 | A-4455-CY 12 B(228) |
| 13 | 22-65-3130 | A-4455-CR 13A(P909) | 22-18-2134 | A-4455-CZ 13 B(228) | 22-18-7133 | A-4455-CY 13 A(208) | 22-18-7131 | A-4455-CY 13 B(228) |
| 14 | 22-65-3140 | A-4455-CR 14A(P909) | 22-18-2144 | A-4455-CZ 14 B(228) | 22-18-7143 | A-4455-CY 14 A(208) | 22-18-7141 | A-4455-CY 14 B(228) |
| 15 | 22-65-3150 | A-4455-CR 15A(P909) | 22-18-2154 | A-4455-CZ 15 B(228) | 22-18-7153 | A-4455-CY 15 A(208) | 22-18-7151 | A-4455-CY 15 B(228) |
| 16 | 22-65-3160 | A-4455-CR 16A(P909) | 22-18-2164 | A-4455-CZ 16 B(228) | 22-18-7163 | A-4455-CY 16 A(208) | 22-18-7161 | A-4455-CY 16 B(228) |
| 17 | 22-65-3170 | A-4455-CR 17A(P909) | 22-18-2174 | A-4455-CZ 17 B(228) | 22-18-7173 | A-4455-CY 17 A(208) | 22-18-7171 | A-4455-CY 17 B(228) |
| 18 | 22-65-3180 | A-4455-CR 18A(P909) | 22-18-2184 | A-4455-CZ 18 B(228) | 22-18-7183 | A-4455-CY 18 A(208) | 22-18-7181 | A-4455-CY 18 B(228) |
| 19 | 22-65-3190 | A-4455-CR 19A(P909) | 22-18-2194 | A-4455-CZ 19 B(228) | 22-18-7193 | A-4455-CY 19 A(208) | 22-18-7191 | A-4455-CY 19 B(228) |
| 20 | 22-65-3200 | A-4455-CR 20A(P909) | 22-18-2204 | A-4455-CZ 20 B(228) | 22-18-7203 | A-4455-CY 20 A(208) | 22-18-7201 | A-4455-CY 20 B(228) |

| | | | |
|-------------------------|-------------------------|--|------------------------------|
| REV: | ECM INFORMATION: | <u>TITLE:</u> | SHEET No. |
| D15 | ECM No.: 602687 | KK 100 PCB ASSY 4455 SERIES DWG | - 11 - |
| | DATE: 22/06/2018 | | |
| <u>DOCUMENT NUMBER:</u> | <u>DOC TYPE:</u> | <u>DOC PART:</u> | <u>CREATED / REVISED BY:</u> |
| SDA-4455 | PSD | 002 | SS06 |
| <u>CHECKED BY:</u> | | <u>APPROVED BY:</u> | |
| SS06 | | ISHWARG | |



KK 100 PCB ASSY 2-20 CKT

4455 SERIES

| | |
|--------------|---------------------|
| Assy Proc: | RIGHT ANGLE |
| Hooks Cut: | NO |
| Housing No: | 4455-N |
| Terminal No: | 6516-5C(P909) |
| Dim C: | 3.35±1.00/.132±.039 |
| Plating: | P909 |
| Packaging: | PK-44646-001 |
| Voids: | NO |

| | |
|--------------|---------------------|
| Assy Proc: | BOTTOM ENTRY |
| Hooks Cut: | NO |
| Housing No: | 4455-N2 |
| Terminal No: | 6516-6C(P909) |
| Dim C: | 3.61±1.00/.142±.039 |
| Plating: | P909 |
| Packaging: | PK-44646-001 |
| Voids: | NO |

| Ckts | Material No | Engineer Number |
|------|-------------|--------------------|
| 2 | 38-00-1332 | A-4455-AZ02C(P909) |
| 3 | 38-00-1333 | A-4455-AZ03C(P909) |
| 4 | 38-00-1334 | A-4455-AZ04C(P909) |
| 5 | 38-00-1335 | A-4455-AZ05C(P909) |
| 6 | 38-00-1336 | A-4455-AZ06C(P909) |
| 7 | 38-00-1337 | A-4455-AZ07C(P909) |
| 8 | 38-00-1338 | A-4455-AZ08C(P909) |
| 9 | 38-00-1339 | A-4455-AZ09C(P909) |
| 10 | 38-00-1340 | A-4455-AZ10C(P909) |
| 11 | 38-00-1341 | A-4455-AZ11C(P909) |
| 12 | 38-00-1342 | A-4455-AZ12C(P909) |
| 13 | 38-00-1343 | A-4455-AZ13C(P909) |
| 14 | 38-00-1344 | A-4455-AZ14C(P909) |
| 15 | 38-00-1345 | A-4455-AZ15C(P909) |
| 16 | 38-00-1346 | A-4455-AZ16C(P909) |
| 17 | 38-00-1347 | A-4455-AZ17C(P909) |
| 18 | 38-00-1348 | A-4455-AZ18C(P909) |
| 19 | 38-00-1349 | A-4455-AZ19C(P909) |
| 20 | 38-00-1350 | A-4455-AZ20C(P909) |

| Material No | Engineer Number |
|-------------|--------------------|
| 38-00-1392 | A-4455-BH02F(P909) |
| 38-00-1393 | A-4455-BH03F(P909) |
| 38-00-1394 | A-4455-BH04F(P909) |
| 38-00-1395 | A-4455-BH05F(P909) |
| 38-00-1396 | A-4455-BH06F(P909) |
| 38-00-1397 | A-4455-BH07F(P909) |
| 38-00-1398 | A-4455-BH08F(P909) |
| 38-00-1399 | A-4455-BH09F(P909) |
| 38-00-1400 | A-4455-BH10F(P909) |
| 38-00-1401 | A-4455-BH11F(P909) |
| 38-00-1402 | A-4455-BH12F(P909) |
| 38-00-1403 | A-4455-BH13F(P909) |
| 38-00-1404 | A-4455-BH14F(P909) |
| 38-00-1405 | A-4455-BH15F(P909) |
| 38-00-1406 | A-4455-BH16F(P909) |
| 38-00-1407 | A-4455-BH17F(P909) |
| 38-00-1408 | A-4455-BH18F(P909) |
| 38-00-1409 | A-4455-BH19F(P909) |
| 38-00-1410 | A-4455-BH20F(P909) |

| | | | | | |
|-------------------------|-------------------------|--|------------------------------|--------------------|---------------------|
| REV: | ECM INFORMATION: | TITLE: | SHEET No. | | |
| D15 | ECM No.: 602687 | KK 100 PCB ASSY 4455 SERIES DWG | - 12 - | | |
| | DATE: 22/06/2018 | | | | |
| DOCUMENT NUMBER: | DOC TYPE: | DOC PART: | CREATED / REVISED BY: | CHECKED BY: | APPROVED BY: |
| SDA-4455 | PSD | 002 | SS06 | SS06 | ISHWARG |



KK 100 PCB ASSY 2-20 CKT

4455 SERIES

| | |
|--------------|--------------|
| Assy Proc: | RIGHT ANGLE |
| Hooks Cut: | NO |
| Housing No: | 4455-BN |
| Terminal No: | 4316-4(565) |
| Dim C: | 3.35 / .132 |
| Plating: | 565 |
| Packaging: | PK-44646-002 |
| Voids: | NO |

| | |
|--------------|---------------------|
| Assy Proc: | TOP ENTRY |
| Hooks Cut: | NO |
| Housing No: | 4455-N |
| Terminal No: | 6516-5C(P909) |
| Dim C: | 3.35±1.00/.132±.039 |
| Plating: | P909 |
| Packaging: | PK-44646-001 |
| Voids: | NO |

| | |
|--------------|--------------|
| Assy Proc: | TOP ENTRY |
| Hooks Cut: | YES |
| Housing No: | 4455-N-02 |
| Terminal No: | 4316-4(P909) |
| Dim C: | 3.35 / .132 |
| Plating: | P909 |
| Packaging: | PK-44646-003 |
| Voids: | YES IN CKT 2 |

| Ckts | Material No | Engineer Number | Material No | Engineer Number | Material No | Engineer Number |
|------|-------------|---------------------|-------------|--------------------|-------------|----------------------|
| 2 | 22-16-3028 | A-4455-AB02A(565) | 38-00-1422 | A-4455-CZ02C(P909) | | |
| 3 | 22-16-3038 | A-4455-AB 03 A(565) | 38-00-1423 | A-4455-CZ03C(P909) | | |
| 4 | 22-16-3048 | A-4455-AB 04 A(565) | 38-00-1424 | A-4455-CZ04C(P909) | | |
| 5 | 22-16-3058 | A-4455-AB 05 A(565) | 38-00-1425 | A-4455-CZ05C(P909) | | |
| 6 | 22-16-3068 | A-4455-AB 06 A(565) | 38-00-1426 | A-4455-CZ06C(P909) | 22-02-3068 | A-4455-CW06A(P909)-2 |
| 7 | 22-16-3078 | A-4455-AB 07 A(565) | 38-00-1427 | A-4455-CZ07C(P909) | 50-29-0004 | A-4455-CW07A(P909)-2 |
| 8 | 22-16-3088 | A-4455-AB 08 A(565) | 38-00-1428 | A-4455-CZ08C(P909) | | |
| 9 | 22-16-3098 | A-4455-AB 09 A(565) | 38-00-1429 | A-4455-CZ09C(P909) | | |
| 10 | 22-16-3108 | A-4455-AB 10 A(565) | 38-00-1430 | A-4455-CZ10C(P909) | | |
| 11 | 22-16-3118 | A-4455-AB 11 A(565) | 38-00-1431 | A-4455-CZ11C(P909) | | |
| 12 | 22-16-3128 | A-4455-AB 12 A(565) | 38-00-1432 | A-4455-CZ12C(P909) | | |
| 13 | 22-16-3138 | A-4455-AB 13 A(565) | 38-00-1433 | A-4455-CZ13C(P909) | | |
| 14 | 22-16-3148 | A-4455-AB 14 A(565) | 38-00-1434 | A-4455-CZ14C(P909) | | |
| 15 | 22-16-3158 | A-4455-AB 15 A(565) | 38-00-1435 | A-4455-CZ15C(P909) | | |
| 16 | 22-16-3168 | A-4455-AB 16 A(565) | 38-00-1436 | A-4455-CZ16C(P909) | | |
| 17 | 22-16-3178 | A-4455-AB 17 A(565) | 38-00-1437 | A-4455-CZ17C(P909) | | |
| 18 | 22-16-3188 | A-4455-AB 18 A(565) | 38-00-1438 | A-4455-CZ18C(P909) | | |
| 19 | 22-16-3198 | A-4455-AB 19 A(565) | 38-00-1439 | A-4455-CZ19C(P909) | | |
| 20 | 22-16-3208 | A-4455-AB 20 A(565) | 38-00-1440 | A-4455-CZ20C(P909) | | |

| | | | | | |
|------------------|-------------------------|------------|---|---------------|----------------|
| REV: | ECM INFORMATION: | TITLE: | <h1>KK 100 PCB ASSY</h1> <h2>4455 SERIES DWG</h2> | SHEET No. | |
| D15 | ECM No.: 602687 | | | - 13 - | |
| | DATE: 22/06/2018 | | | | |
| DOCUMENT NUMBER: | DOC TYPE: | DOC PART: | CREATED / REVISED BY: | CHECKED BY: | APPROVED BY: |
| SDA-4455 | PSD | 002 | SS06 | SS06 | ISHWARG |



KK 100 PCB ASSY 2-20 CKT

4455 SERIES

| Ckts | Assy Proc: TOP ENTRY | | Assy Proc: TOP ENTRY | | Assy Proc: BOTTOM ENTRY | | Assy Proc: BOTTOM ENTRY | |
|------|----------------------|---------------------|----------------------|----------------------|-------------------------|-----------------------|-------------------------|----------------------|
| | Material No | Engineer Number | Material No | Engineer Number | Material No | Engineer Number | Material No | Engineer Number |
| | Hooks Cut: | YES | Hooks Cut: | YES | Hooks Cut: | NO | Hooks Cut: | NO |
| | Housing No: | 4455-N | Housing No: | 4455-N | Housing No: | 4455-N2 | Housing No: | 4455-N2 |
| | Terminal No: | 6516-4(P909) | Terminal No: | 4316-4(P909) | Terminal No: | 4316-3B(P909) | Terminal No: | 4316-3B(208) |
| | Dim C: | 3.35 / .132 | Dim C: | 3.35 / .132 | Dim C: | .132 / 3.35 | Dim C: | .132 / 3.35 |
| | Plating: | P909 | Plating: | P909 | Plating: | P909 | Plating: | 208 |
| | Packaging: | PK-44646-003 | Packaging: | PK-44646-003 | Packaging: | PK-44646-001 | Packaging: | PK-44646-001 |
| | Voids: | NO | Voids: | YES IN CKT 2 | Voids: | YES IN CKT 10 | Voids: | 2,3,4,6,7,8,10,11,12 |
| 2 | | A-4455-CY02B(P909) | | | | | | |
| 3 | | A-4455-CY 03B(P909) | | | | | | |
| 4 | | A-4455-CY 04B(P909) | | | | | | |
| 5 | 50-29-1553 | A-4455-CY 05B(P909) | | | | | | |
| 6 | 50-29-1554 | A-4455-CY 06B(P909) | 22-15-5065 | A-4455-CY06A(P909)-2 | | | | |
| 7 | | A-4455-CY 07B(P909) | | | | | | |
| 8 | | A-4455-CY 08B(P909) | | | | | | |
| 9 | | A-4455-CY 09B(P909) | | | | | | |
| 10 | | A-4455-CY 10B(P909) | | | | | | |
| 11 | | A-4455-CY 11B(P909) | | | 50-36-1881 | A-4455-BH11D(P909)-10 | | |
| 12 | | A-4455-CY 12B(P909) | | | | | | |
| 13 | | A-4455-CY 13B(P909) | | | | | 26-01-3099 | A-4455-BH13D(208)-51 |
| 14 | | A-4455-CY 14B(P909) | | | | | | |
| 15 | | A-4455-CY 15B(P909) | | | | | | |
| 16 | | A-4455-CY 16B(P909) | | | | | | |
| 17 | | A-4455-CY 17B(P909) | | | | | | |
| 18 | | A-4455-CY 18B(P909) | | | | | | |
| 19 | | A-4455-CY 19B(P909) | | | | | | |
| 20 | | A-4455-CY 20B(P909) | | | | | | |

| | | | |
|-------------------------|-------------------------|--|------------------------------|
| REV: | ECM INFORMATION: | <u>TITLE:</u> | <u>SHEET No.</u> |
| D15 | ECM No.: 602687 | KK 100 PCB ASSY 4455 SERIES DWG | - 14 - |
| | DATE: 22/06/2018 | | |
| <u>DOCUMENT NUMBER:</u> | <u>DOC TYPE:</u> | <u>DOC PART:</u> | <u>CREATED / REVISED BY:</u> |
| SDA-4455 | PSD | 002 | SS06 |
| <u>CHECKED BY:</u> | | <u>APPROVED BY:</u> | |
| SS06 | | ISHWARG | |



KK 100 PCB ASSY 2-20 CKT

4455 SERIES

| | Assy Proc: | RIGHT ANGLE | Assy Proc: | TOP ENTRY | Assy Proc: | TOP ENTRY | Assy Proc: | |
|------|--------------|-----------------------|--------------|--------------------|--------------|---------------------|--------------|-----------------|
| | Hooks Cut: | NO | Hooks Cut: | YES | Hooks Cut: | YES | Hooks Cut: | |
| | Housing No: | 4455-BN | Housing No: | 4455-BN | Housing No: | 4455-NR | Housing No: | |
| | Terminal No: | 4316-4(P909) | Terminal No: | 4316-4(P909) | Terminal No: | 4316-4(P909) | Terminal No: | |
| | Dim C: | 3.35 / .132 | Dim C: | 3.35 / .132 | Dim C: | 3.35 / .132 | Dim C: | |
| | Plating: | P909 | Plating: | P909 | Plating: | P909 | Plating: | |
| | Packaging: | PK-44646-002 | Packaging: | PK-44646-006 | Packaging: | PK-44646-003 | Packaging: | |
| | Voids: | 3,6,12,15 | Voids: | NO | Voids: | NO | Voids: | |
| | | | | | | | | |
| Ckts | Material No | Engineer Number | Material No | Engineer Number | Material No | Engineer Number | Material No | Engineer Number |
| 2 | | | | | | | | |
| 3 | | | 46999-0585 | A-4455-CG03A(P909) | | | | |
| 4 | | | 46999-0583 | A-4455-CG04A(P909) | | | | |
| 5 | | | | | | | | |
| 6 | | | 46999-0584 | A-4455-CG06A(P909) | | | | |
| 7 | | | | | | | | |
| 8 | | | | | 46999-0599 | A-4455-CP 08A(P909) | | |
| 9 | | | | | | | | |
| 10 | | | | | | | | |
| 11 | | | | | | | | |
| 12 | | | | | | | | |
| 13 | | | | | | | | |
| 14 | | | 46999-0586 | A-4455-CG14A(P909) | | | | |
| 15 | | | | | | | | |
| 16 | | | | | | | | |
| 17 | 46999-0582 | A-4455-AB17A(P909)-51 | | | | | | |
| 18 | | | | | | | | |
| 19 | | | | | | | | |
| 20 | | | | | | | | |

| | | | |
|-------------------------|-------------------------|--|------------------------------|
| REV: | ECM INFORMATION: | <u>TITLE:</u> | <u>SHEET No.</u> |
| D15 | ECM No.: 602687 | KK 100 PCB ASSY 4455 SERIES DWG | - 15 - |
| | DATE: 22/06/2018 | | |
| <u>DOCUMENT NUMBER:</u> | <u>DOC TYPE:</u> | <u>DOC PART:</u> | <u>CREATED / REVISED BY:</u> |
| SDA-4455 | PSD | 002 | SS06 |
| | | <u>CHECKED BY:</u> | <u>APPROVED BY:</u> |
| | | SS06 | ISHWARG |

