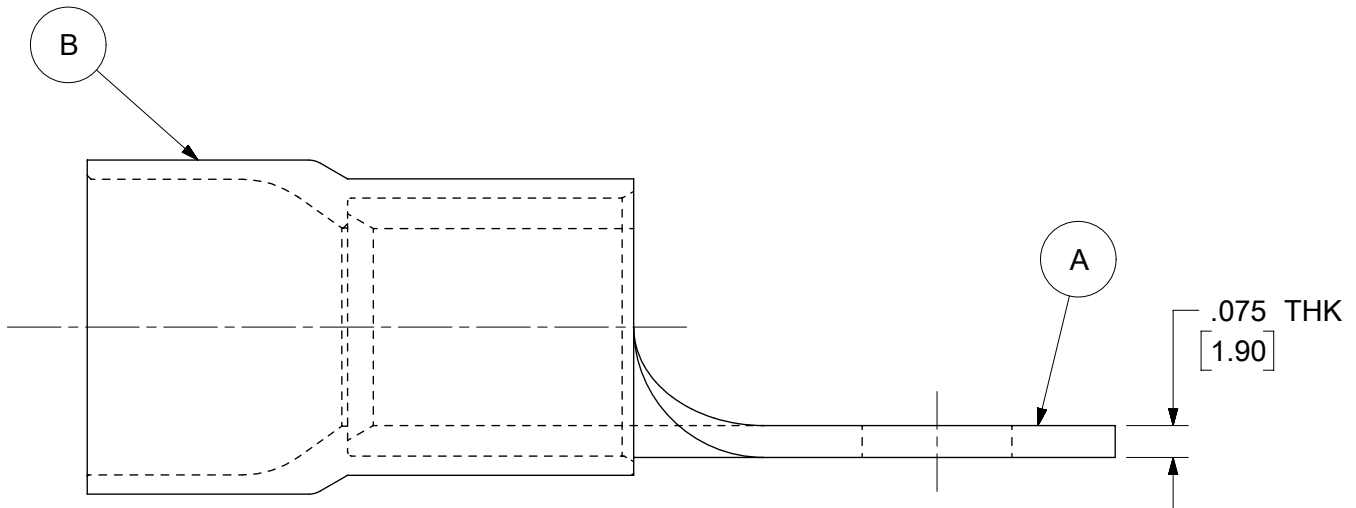
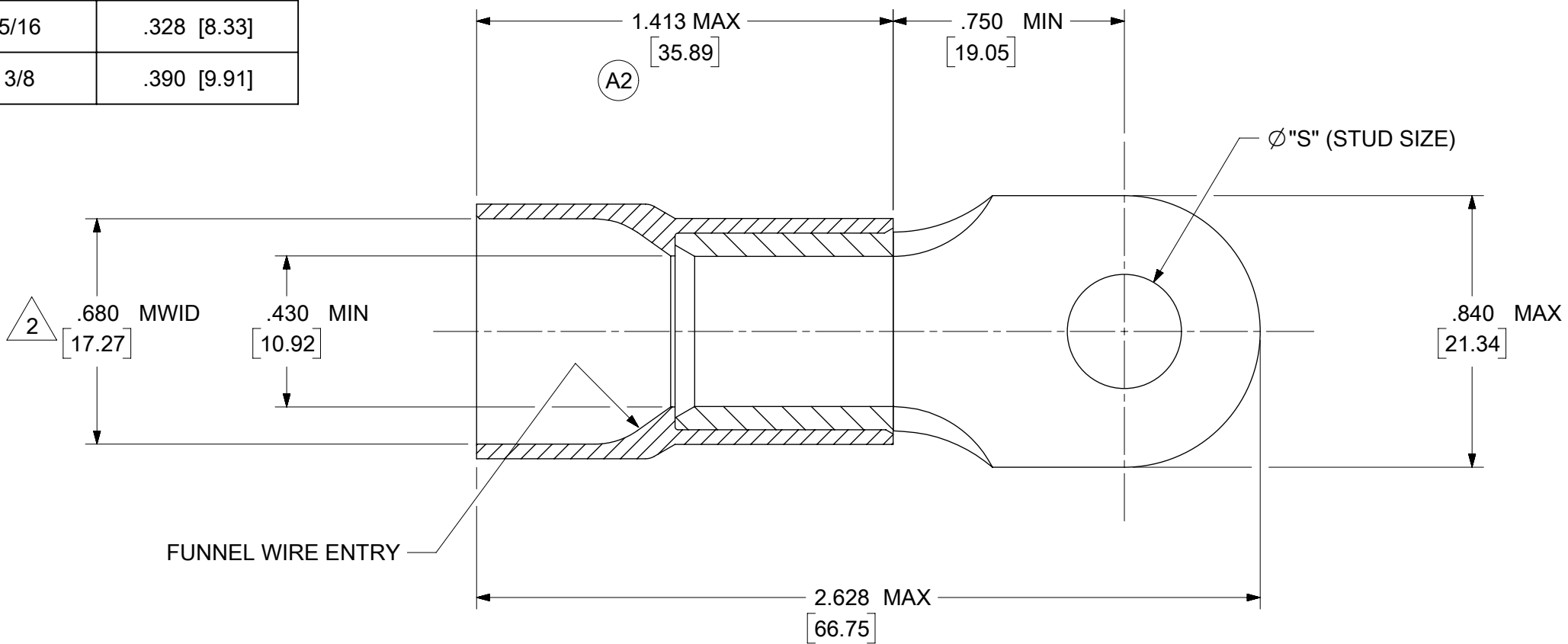


LOOSE PIECE		SPECIFICATIONS	
MATERIAL NUMBER	ENGINEERING NUMBER	STUD SIZE	"S" ±.005 [0.13]
190670103	H-981-14	1/4	.265 [6.73]
190670104	H-981-56	5/16	.328 [8.33]
190670359	H-981-38	3/8	.390 [9.91]



- NOTES:
- MATERIAL:
    - (A). TERMINAL: COPPER ALLOY
    - PLATING: ELECTRO-TIN (.0003 MIN.)
    - (B). INSULATION: NYLON 6/6, COLOR CODED BLUE
  - MWID: MAXIMUM WIRE INSULATION DIAMETER
  - WIRE SIZE: 1/0 AWG  
55 MM<sup>2</sup>
  - ALL COMPONENTS ARE RoHS COMPLIANT.
  - DIMS. SHOWN ARE FOR REFERENCE ONLY.

FUNCTIONAL SYMBOLS		THIS DRAWING CONTAINS INFORMATION THAT IS PROPRIETARY TO MOLEX ELECTRONIC TECHNOLOGIES, LLC AND SHOULD NOT BE USED WITHOUT WRITTEN PERMISSION			
DIMENSION UNITS		SCALE			
INCH/MM		NTS		EC NO: 712551	
GENERAL TOLERANCES (UNLESS SPECIFIED)				DRWN: DMYRICK 2022/06/29	
4 PLACES ± --- ± ---				CHK'D: JMACNEIL 2022/06/29	
3 PLACES ± --- ± ---				APPR: JMACNEIL 2022/06/29	
2 PLACES ± --- ± ---				INITIAL REVISION:	
1 PLACE ± --- ± ---				DRWN: PBUNNELL 2001/03/01	
0 PLACES ± --- ± ---				APPR: RDEROSS 2001/03/07	
ANGULAR TOL ± ---				DOCUMENT NUMBER	
DRAFT WHERE APPLICABLE MUST REMAIN WITHIN DIMENSIONS		THIRD ANGLE PROJECTION		SD-19067-007	
		DRAWING		DOC TYPE	
		B-SIZE		PSD	
		SERIES		DOC PART	
		19067		001	
		MATERIAL NUMBER		REVISION	
		SEE CHART		A2	
		CUSTOMER		SHEET NUMBER	
		GENERAL MARKET		1 OF 1	