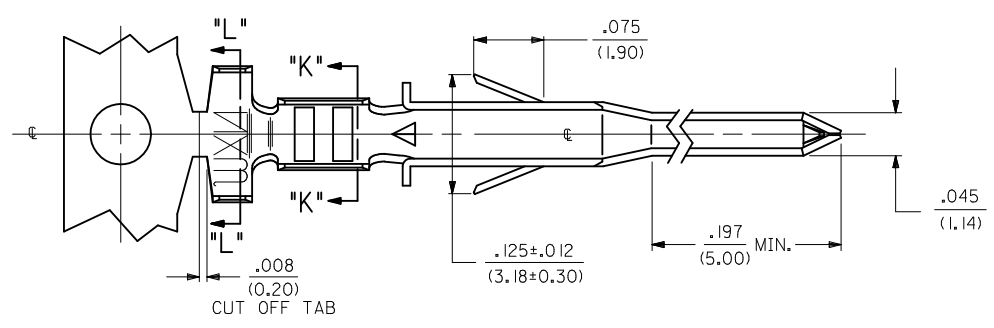


RoHS

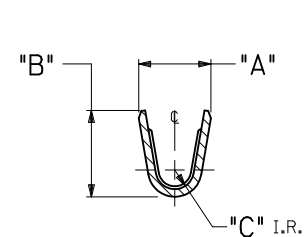
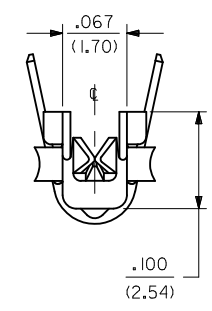
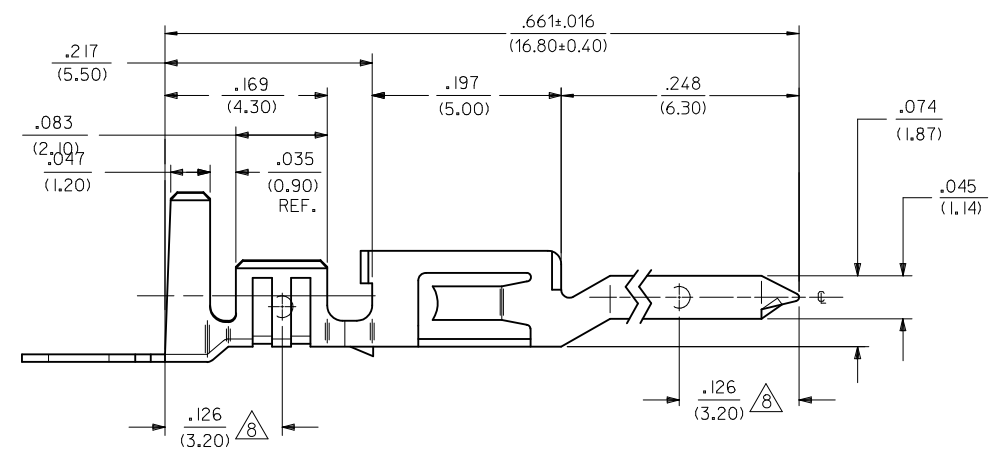
COMPLIANT



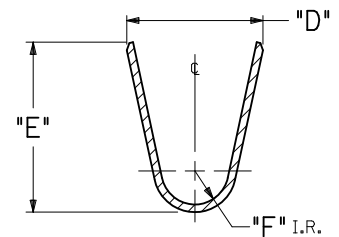
- NOTES:
- MATERIAL:
 - BRASS, .0080/(0.203) THICK
 - PHOS. BRONZE, .0080/(0.203) THICK
 - FINISH:
 - .000100/(0.00254) MIN. BRIGHT TIN OVER .000050/(0.00127) MIN NICKEL OVERALL.
 - .000030/(.00076) MIN SELECT GOLD IN CONTACT AREA AND .000100/(0.00254) MIN SELECT MATTE TIN IN CRIMP AREA OVER .000050/(0.00127) MIN NICKEL OVERALL.

GOLD PLATING RECOMMENDED FOR APPLICATIONS WHERE FRETTING CORROSION IS A CONCERN.

- PRODUCT SPECIFICATION: PS-460083-001 (JR.), PS-46083-002 (BMI), PS-46083-003 (TPA)
- PACKAGE SPECIFICATION: PK-46134-001 FOR CHAIN TERMINALS
PK-5556-003 FOR LOOSE TERMINALS.
- TERMINAL FOR USE WITH MOLEX PLUG HOUSINGS 5559, 42475, 43770 AND 30068.
- THIS TERMINAL IS DESIGNED FOR SINGLE WIRE CRIMPING.
- WHEN TERMINALS ARE INSTALLED IN THE HOUSINGS, THE WIRES ARE TO BE DRESSED IN SUCH A MANNER TO ALLOW THE TERMINALS TO FLOAT FREELY IN THE POCKETS.
- MEASURING POINT FOR PLATING THICKNESS.



SECT. "K-K"
(VIEW ROTATED 90° CW)

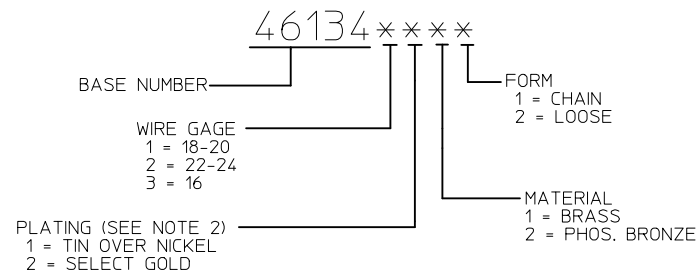


SECT. "L-L"
(VIEW ROTATED 90° CW)

MODIFIED NOTES EC NO: UCP2010-0471 DRWN: JAGUILAR 2009/12/23 CHKD: J BELL 2009/12/23 APPR: F SMITH 2009/12/28	QUALITY SYMBOLS ▽=0 ▽=0	GENERAL TOLERANCES (UNLESS SPECIFIED)		DIMENSION STYLE IN/MM		SCALE METRIC	DESIGN UNITS METRIC		THIRD ANGLE PROJECTION		
		4 PLACES ± --- ± --- 3 PLACES ± --- ± .010 2 PLACES ± 0.25 ± .015 1 PLACE ± 0.38 ± ---		DRAWN BY DATE TGREGORI 2005/10/25		TITLE MALE CRIMP TERMINAL MINI-FIT PLUS SERIES		MOLEX INCORPORATED		SHEET NO. 1 OF 2	
		ANGULAR ± 1/2°		CHECKED BY DATE JCOMERCI 2005/10/25		APPROVED BY DATE JCOMERCI 2005/10/25					
		DRAFT WHERE APPLICABLE MUST REMAIN WITHIN DIMENSIONS		MATERIAL NO. SEE SHHET 2		DOCUMENT NO. SD-46134-001		THIS DRAWING CONTAINS INFORMATION THAT IS PROPRIETARY TO MOLEX INCORPORATED AND SHOULD NOT BE USED WITHOUT WRITTEN PERMISSION			

FORMED ITEM NO.	MATERIAL	PLATING	FORM	WIRE GAGE	RANGE OF INSULATION DIA.	DIM. "A"	DIM. "B"	DIM. "C"	DIM. "D"	DIM. "E"	DIM. "F"
461342111	1	1	CHAIN	22-24	.035-.071 (0.90-1.80)	.071±.012 (1.80±0.30)	.065±.016 (1.65±0.40)	.016 (0.40)	.091±.012 (2.30±0.30)	.091±.016 (2.30±0.40)	.024 (0.60)
461342112			LOOSE								
461341111			CHAIN	18-20	.051-.122 (1.30-3.10)	.075±.012 (1.90±0.30)	.091±.016 (2.30±0.40)	.020 (0.50)	.142±.012 (3.60±0.30)	.177±.016 (4.50±0.40)	.035 (0.90)
461341112			LOOSE								
461343111			CHAIN	16	.122 (3.10) MAX	.091±.012 (2.30±0.30)	.106±.016 (2.70±0.40)	.024 (0.60)	.142±.012 (3.60±0.30)	.177±.016 (4.50±0.40)	.035 (0.90)
461343112			LOOSE								
461342211		2	CHAIN	22-24	.035-.071 (0.90-1.80)	.071±.012 (1.80±0.30)	.065±.016 (1.65±0.40)	.016 (0.40)	.091±.012 (2.30±0.30)	.091±.016 (2.30±0.40)	.024 (0.60)
461342212			LOOSE								
461341211			CHAIN	18-20	.051-.122 (1.30-3.10)	.075±.012 (1.90±0.30)	.091±.016 (2.30±0.40)	.020 (0.50)	.142±.012 (3.60±0.30)	.177±.016 (4.50±0.40)	.035 (0.90)
461341212			LOOSE								
461343211			CHAIN	16	.122 (3.10) MAX	.091±.012 (2.30±0.30)	.106±.016 (2.70±0.40)	.024 (0.60)	.142±.012 (3.60±0.30)	.177±.016 (4.50±0.40)	.035 (0.90)
461343212			LOOSE								
461342121	2	1	CHAIN	22-24	.035-.071 (0.90-1.80)	.071±.012 (1.80±0.30)	.065±.016 (1.65±0.40)	.016 (0.40)	.091±.012 (2.30±0.30)	.091±.016 (2.30±0.40)	.024 (0.60)
461342122			LOOSE								
461341121			CHAIN	18-20	.051-.122 (1.30-3.10)	.075±.012 (1.90±0.30)	.091±.016 (2.30±0.40)	.020 (0.50)	.142±.012 (3.60±0.30)	.177±.016 (4.50±0.40)	.035 (0.90)
461341122			LOOSE								
461343121			CHAIN	16	.122 (3.10) MAX	.091±.012 (2.30±0.30)	.106±.016 (2.70±0.40)	.024 (0.60)	.142±.012 (3.60±0.30)	.177±.016 (4.50±0.40)	.035 (0.90)
461343122			LOOSE								
461342221		2	CHAIN	22-24	.035-.071 (0.90-1.80)	.071±.012 (1.80±0.30)	.065±.016 (1.65±0.40)	.016 (0.40)	.091±.012 (2.30±0.30)	.091±.016 (2.30±0.40)	.024 (0.60)
461342222			LOOSE								
461341221			CHAIN	18-20	.051-.122 (1.30-3.10)	.075±.012 (1.90±0.30)	.091±.016 (2.30±0.40)	.020 (0.50)	.142±.012 (3.60±0.30)	.177±.016 (4.50±0.40)	.035 (0.90)
461341222			LOOSE								
461343221			CHAIN	16	.122 (3.10) MAX	.091±.012 (2.30±0.30)	.106±.016 (2.70±0.40)	.024 (0.60)	.142±.012 (3.60±0.30)	.177±.016 (4.50±0.40)	.035 (0.90)
461343222			LOOSE								

LEGEND



RoHS COMPLIANT

SEE SHEET 1 EC NO: UCP2010-0471 DRAWN: JAGUILAR 2009/12/23 CHKD: JELL 2009/12/23 APPR: FSMITH 2009/12/28	QUALITY SYMBOLS ▽=0 ▽=0	GENERAL TOLERANCES (UNLESS SPECIFIED)		DIMENSION STYLE IN/MM		SCALE 10:1	DESIGN UNITS METRIC	THIRD ANGLE PROJECTION	
		mm	INCH	DRAWN BY TGREGORI	DATE 2005/10/25	MALE CRIMP TERMINAL MINI-FIT PLUS SERIES			
		4 PLACES ± ---	± ---	CHECKED BY JCOMERC I	DATE 2005/10/25				
		3 PLACES ± ---	± .010	APPROVED BY JCOMERC I		DATE 2005/10/25	MOLEX INCORPORATED		
2 PLACES ± 0.25	± .015	MATERIAL NO. SEE CHART		DOCUMENT NO. SD-46134-001	SHEET NO. 2 OF 2				
1 PLACE ± 0.38	± ---	DRAFT WHERE APPLICABLE MUST REMAIN WITHIN DIMENSIONS		THIS DRAWING CONTAINS INFORMATION THAT IS PROPRIETARY TO MOLEX INCORPORATED AND SHOULD NOT BE USED WITHOUT WRITTEN PERMISSION					