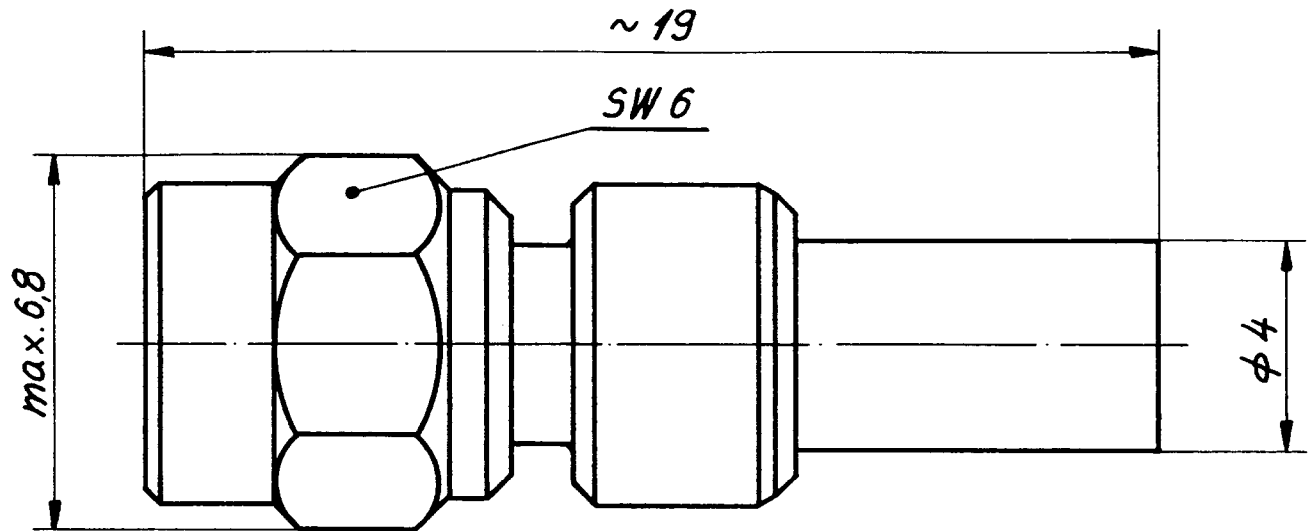


**11SMC 50-2-11C** für Kabel K 02252 d

16.8.78 *p.*



Coaxial RF connector, Cabled-Plug, Series SMC

conforms to MIL-C-39012 Part M39012/73-0009

cable entry modified to accept double screened cable in place of RG 316/U

Engineering Data:

Impedance:	50 Ohms
Frequency range:	0 to 10 GHz
Voltage rating:	335 V
Temperature range:	-65 <sup>o</sup> C/+165 <sup>o</sup> C
Insulation resistance:	> 1000 M Ohms
VSWR:	1,15 + 0,04 f (GHz)
Contact resistance:	≤ 3 m Ohms inner ≤ 0,5 m Ohms outer
Dielectric withstanding voltage:	1000 V
Corrosion:	MIL-STD-202, Method 101, B
Vibration:	MIL-STD-202, Method 204, D
Shock:	MIL-STD-202, Method 213, C
Temperature cycling:	MIL-STD-202, Method 102, C + 200 <sup>o</sup> C
RF leakage:	< -60 dB
Corona level 70'000 ft:	> 250 V
RF high potential withstanding:	> 700 V/ 5 MHz
Cable retention force:	> 14 kp
Connector durability:	500 matings

Materials:

Inner contact:	Beryllium copper, gold plated to MIL-G-45204 A/II/2
Other metal parts:	Brass, gold plated to meet corrosion requirements
Insulators:	PTFE to L-P-403

*H.P. Rued*



**HUBER + SUHNER AG**  
9100 Herisau

**4.13.176 a**