

6 5 4 3 2 1

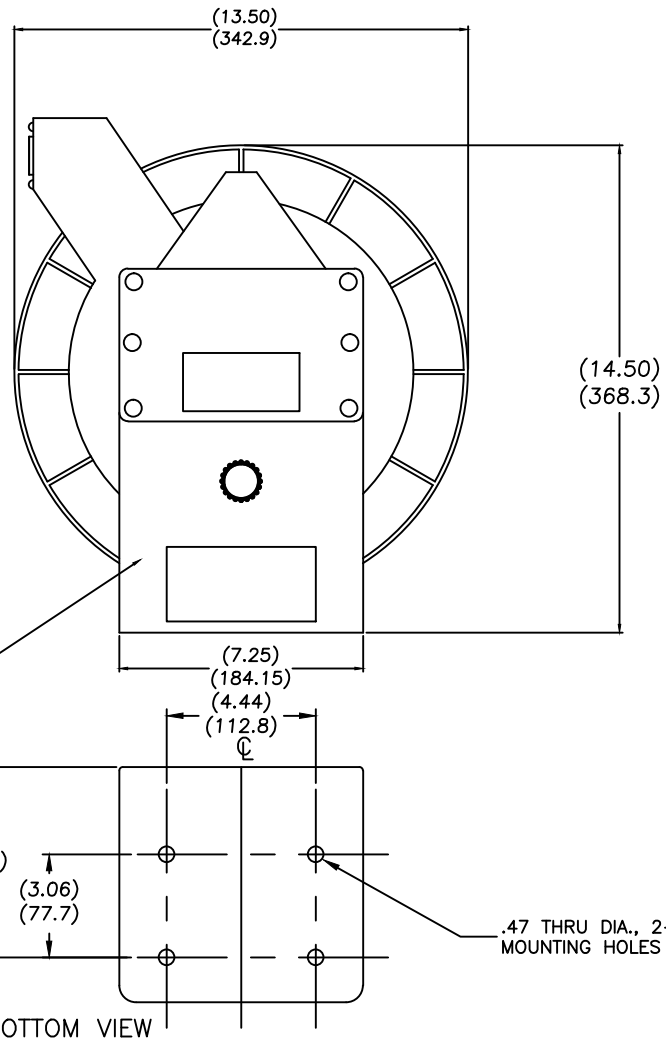
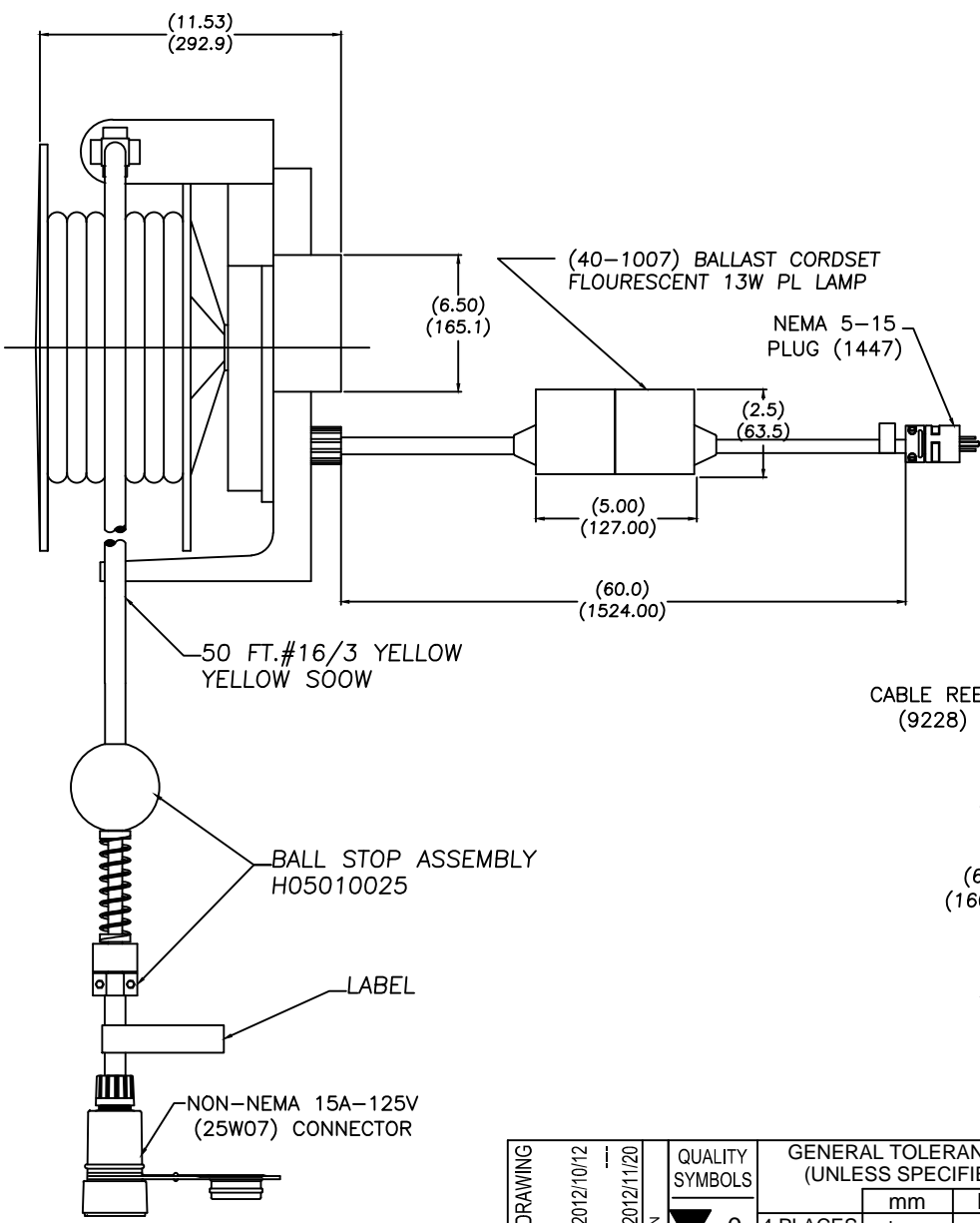
E E

D D

C C

B B

A A



CABLE REEL  
(9228)

ESTIMATED WEIGHT: 39 LBS

QUOTE #A201214478-1	MATERIAL# 1300830914
CUSTOMER APPROVAL SIGNATURE & DATE	
SIGNATURE	DATE

RELEASE CUSTOMER DRAWING	DESCRIPTION
EC NO: IPC2013-0713	2012/11/20
DRWN: HKNEELAN	2012/10/12
CHKD: HKNEELAN	
APPR: DTITUS	
REV	
A2	

QUALITY SYMBOLS =0 =0	GENERAL TOLERANCES (UNLESS SPECIFIED)	
	mm	INCH
	4 PLACES	±--- ±---
	3 PLACES	±--- ±.005
	2 PLACES	±--- ±.010
	1 PLACE	±--- ±.020
	ANGULAR ±.5°	
DRAFT WHERE APPLICABLE MUST REMAIN WITHIN DIMENSIONS		

DIMENSION STYLE	
IN/MM	
DRAWN BY	DATE
TV	2009/05/19
CHECKED BY	DATE
HKNEELAN	2012/11/1
APPROVED BY	DATE
DTITUS	2012/11/20
MATERIAL NO.	
130083-0914	
SIZE	
A	

SCALE	DESIGN UNITS	THIRD ANGLE PROJECTION
NTS	INCH	
TITLE		
9228 W/ 25W07 CONNECTOR 50' #16/3 SOOW BALLAST CORDSET & 1447		
MOLEX INCORPORATED		
MATERIAL NO.	DOCUMENT NO.	SHEET NO.
130083-0914	SD-130083-044	1 OF 1
THIS DRAWING CONTAINS INFORMATION THAT IS PROPRIETARY TO MOLEX INCORPORATED AND SHOULD NOT BE USED WITHOUT WRITTEN PERMISSION		

6 5 4 3 2 1