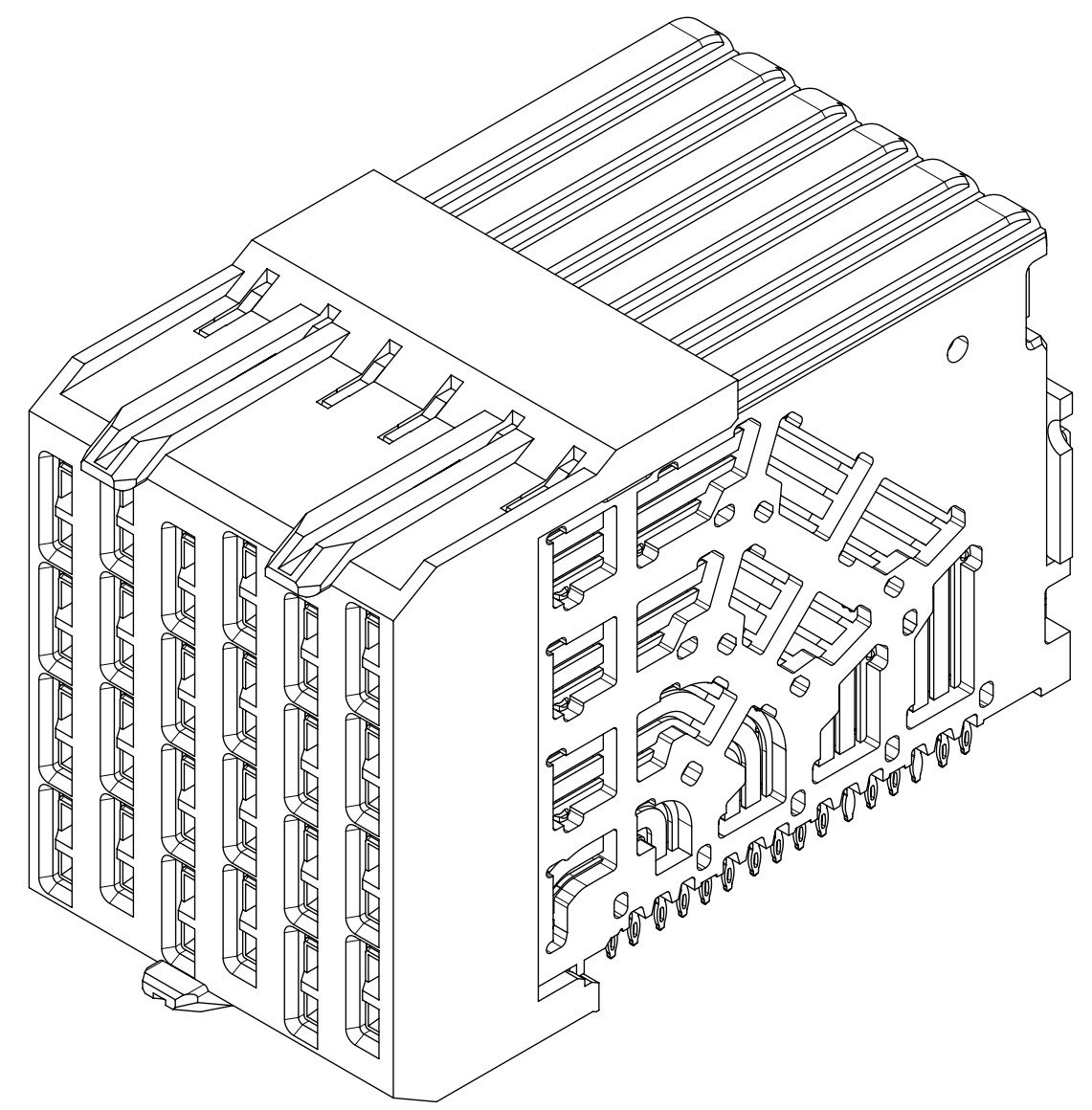


- NOTES:
1. MATERIALS: HOUSING - LIQUID CRYSTAL POLYMER (LCP)
GLASS - FILLED, UL94V-0
TERMINALS - HIGH PERFORMANCE COPPER ALLOY
 2. FINISH: 30uIN GOLD IN CONTACT AREA.
SELECTIVE TIN ON PCB TAILS.
NICKEL OVERALL.
 3. REFER TO MOLEX PRODUCT SPECIFICATION PS-171320-999 FOR PERFORMANCE SPECIFICATIONS.
 4. THIS PART CONFORMS TO CLASS B REQUIREMENTS OF MOLEX COSMETIC SPEC PS-45499-002.
 5. PRODUCT WILL BE PACKAGED PER PK-78888-085.
 6. SEE SHEET 2 FOR HOLE PATTERN DIMENSIONS.
 7. MATES WITH IMPEL BP SERIES NUMBER 171325.
 8. REFER TO IMPEL PCB ROUTING GUIDE AS-171320-990 FOR ANTIPAD, ROUTING RECOMMENDATIONS, AND ADDITIONAL PCB INFORMATION.
 9. THE 6 AND 8 COLUMN DC ASSEMBLIES ARE DESIGNED TO MATE WITH EITHER THE 6 OR 8 COLUMN BP HEADERS. WHEN MATING AN 8 COLUMN DC WITH A 6 COLUMN HEADER, DC COLUMN 8 WILL ALIGN WITH BP COLUMN 6. WHEN MATING A 6 COLUMN DC WITH AN 8 COLUMN HEADER, DC COLUMN 6 WILL ALIGN WITH BP COLUMN 8.

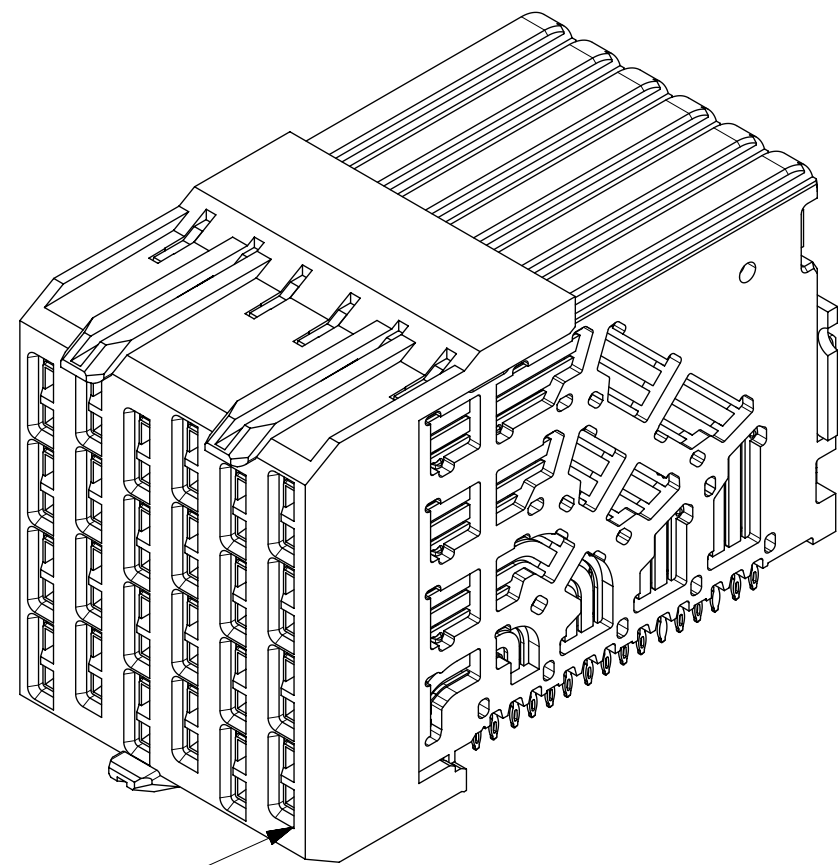


QUALITY SYMBOLS		THIS DRAWING CONTAINS INFORMATION THAT IS PROPRIETARY TO MOLEX ELECTRONIC TECHNOLOGIES, LLC AND SHOULD NOT BE USED WITHOUT WRITTEN PERMISSION		DIMENSION UNITS		SCALE			
▽ = 0	▽ = 0	GENERAL TOLERANCES (UNLESS SPECIFIED)		MM ONLY		4:1			
▽ = 0	▽ = 0	ANGULAR TOL ± 0.5 °		DRWN BY		DATE		IMPEL DAUGHTERCARD ASSY 4 PAIR - 3MM PITCH UNGUIDED SALES DRAWING	
▽ = 0	▽ = 0	4 PLACES ±		JLAURX		2013/04/02			
▽ = 0	▽ = 0	3 PLACES ±		CHK'D BY		DATE		PRODUCT CUSTOMER DRAWING	
▽ = 0	▽ = 0	2 PLACES ± 0.13		APPR BY		DATE			
▽ = 0	▽ = 0	1 PLACE ± 0.25		JBINGHAM		2014/09/16		SERIES: 171329 MATERIAL NUMBER: SEE CHART CUSTOMER: GENERAL MARKET	
▽ = 0	▽ = 0	0 PLACES ±		DRAWING SIZE		THIRD ANGLE PROJECTION		DOCUMENT NUMBER: SD-171329-0001 DOC TYPE: PSD DOC PART: 001 SHEET NUMBER: 1 OF 2	
▽ = 0	▽ = 0	DRAFT WHERE APPLICABLE MUST REMAIN WITHIN DIMENSIONS		C					

MATERIAL NUMBER	NUMBER OF COLUMNS	NUMBER OF DIFF PAIR	DIM "A"	DIM "B"
171329-1036	6	24	18.00 MAX	15.00
171329-1038	8	32	24.00 MAX	21.00
171329-1020	10	40	30.00 MAX	27.00

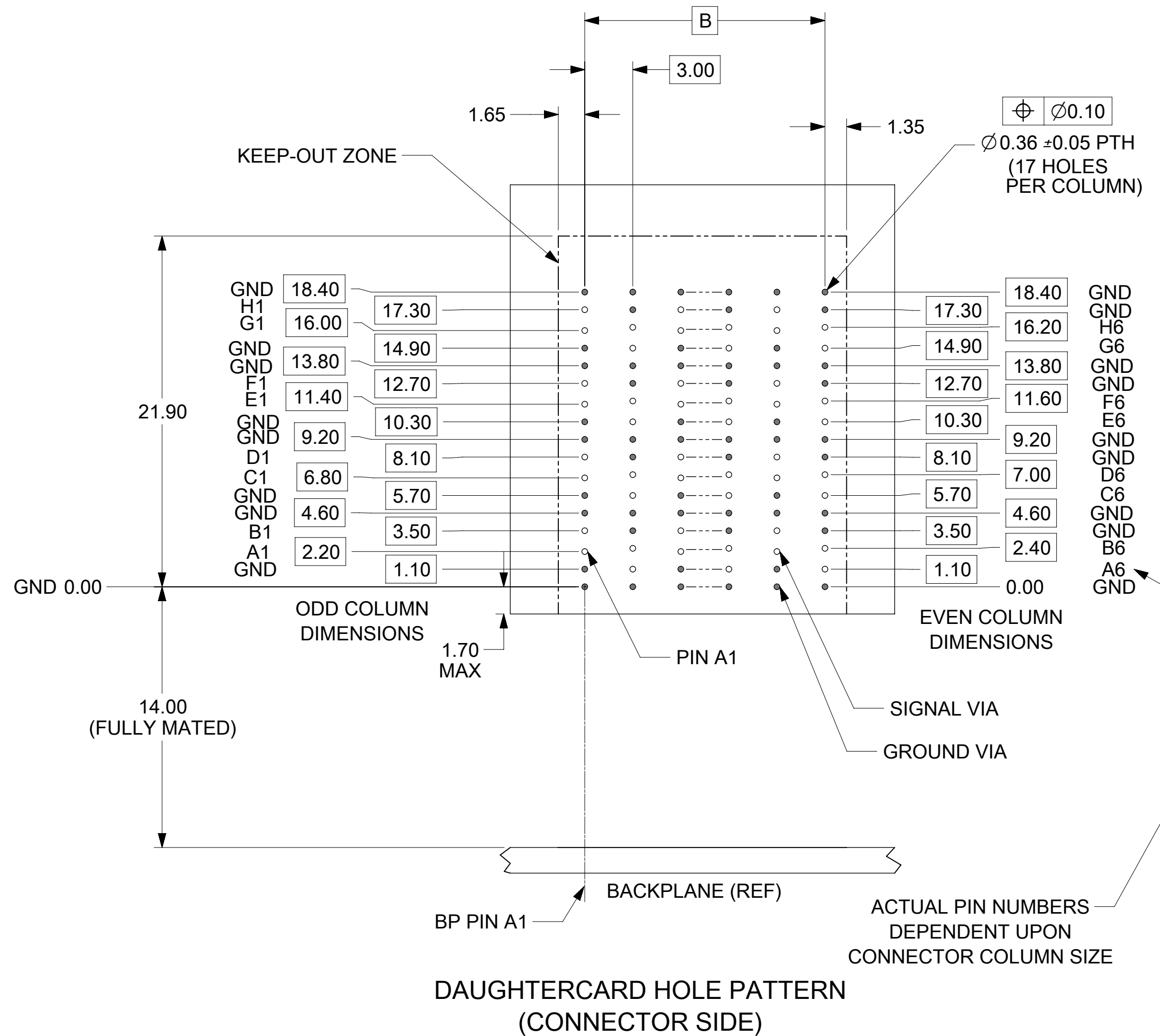
171329-10**

COLUMN SIZE
 36 = 6 COLUMN
 38 = 8 COLUMN
 20 = 10 COLUMN



COLUMN 8

8 COLUMN ASSEMBLY
(SEE NOTE 9)



QUALITY SYMBOLS	THIS DRAWING CONTAINS INFORMATION THAT IS PROPRIETARY TO MOLEX ELECTRONIC TECHNOLOGIES, LLC AND SHOULD NOT BE USED WITHOUT WRITTEN PERMISSION			
▽ = 0	EC NO: 178572 DRWN: SMAHESHBABU CHKD: YLLIM APPR: DWLEED01 MIGRATED TO NX 2017/11/29 2018/07/04 2018/07/17	GENERAL TOLERANCES (UNLESS SPECIFIED)	DIMENSION UNITS	SCALE
▽ = 0		ANGULAR TOL ± 0.5 °	MM ONLY	4:1
▽ = 0		4 PLACES ±	DRWN BY	DATE
▽ = 0		3 PLACES ±	JLAURX	2013/04/02
▽ = 0		2 PLACES ± 0.13	CHKD BY	DATE
▽ = 0		1 PLACE ± 0.25	APPR BY	DATE
▽ = 0		0 PLACES ±	JBINGHAM	2014/09/16
▽ = 0		DRAFT WHERE APPLICABLE MUST REMAIN WITHIN DIMENSIONS	DRAWING SIZE	THIRD ANGLE PROJECTION
▽ = 0			C	
▽ = 0				
A2		SERIES	MATERIAL NUMBER	CUSTOMER
		171329	SEE CHART	GENERAL MARKET
		DOCUMENT NUMBER	DOC TYPE	DOC PART
		SD-171329-0001	PSD	001
		SHEET NUMBER		
		2 OF 2		