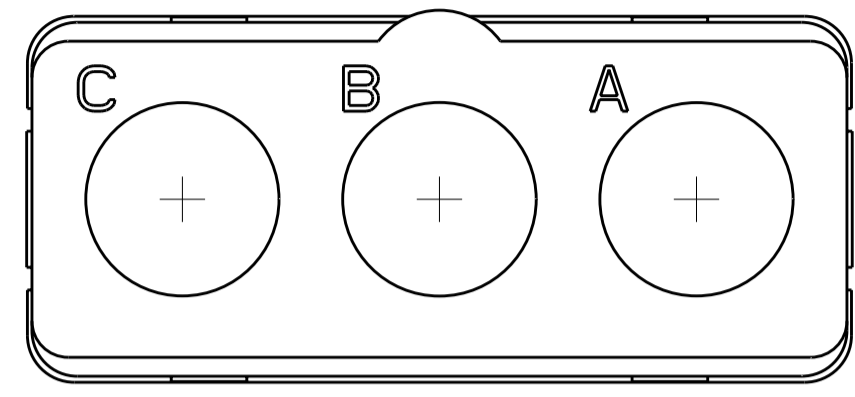
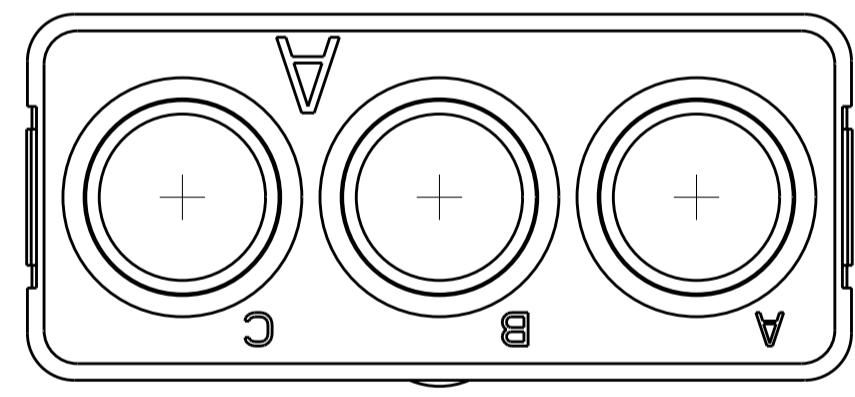
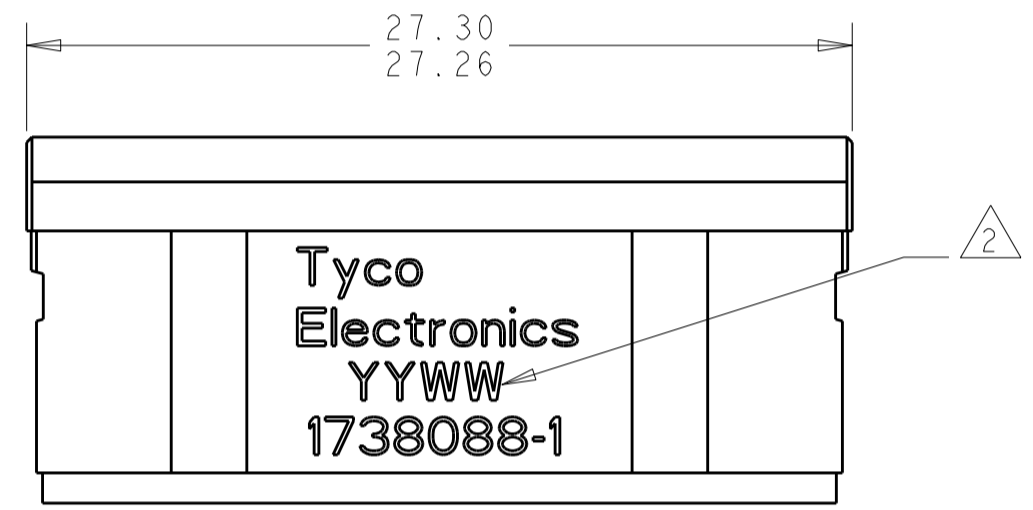
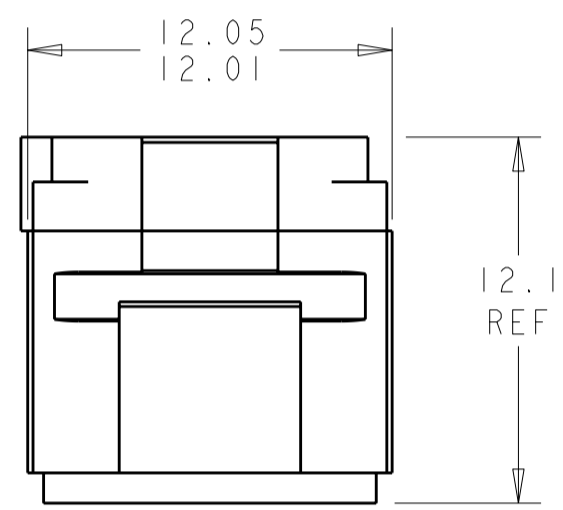


THIS DRAWING IS UNPUBLISHED. RELEASED FOR PUBLICATION
 © COPYRIGHT BY TYCO ELECTRONICS CORPORATION. ALL RIGHTS RESERVED.

LOC	DIST	REVISIONS			
P	LTR	DESCRIPTION	DATE	DWN	APVD
-	-	A	REV PER ECO 10-021982	10-27-10	CT KH



MATING FACE



- 1 FRONT & REAR INSULATOR: HIGH-TEMP THERMOPLASTIC OR THERMOSET EPOXY PER ASTM D5948. CONTACT RETENTION CLIPS: STAINLESS STEEL PER AISI 302 OR COPPER ALLOY PER ASTM B194
- 2 DATE CODE: YEAR & WEEK (YY WW)
- 3. DESCRIPTIVE PART NUMBER GPRBNC3PA
THIS INSERT CONTAINS: 3 CAVITIES FOR SIZE 5 PIN COAX CONTACTS
- 4. THIS PRODUCT IS SOLD BY TYCO ELECTRONICS UNDER A LICENSE FROM RADIALL SA.

1738088-1
PART NUMBER

<small>THIS DRAWING IS A CONTROLLED DOCUMENT FOR TYCO ELECTRONICS CORPORATION. IT IS SUBJECT TO CHANGE AND THE CONTROLLING ENGINEERING ORGANIZATION SHOULD BE CONTACTED FOR THE LATEST REVISION.</small>		DWN	06MAY10		Tyco Electronics Harrisburg, PA 17105-3608			
DIMENSIONS:		CHK	06MAY10			NAME INSERT ASSEMBLY, PIN, NON-ENVIRONMENTAL ARRANGEMENT C3, KEY A, GPRB		
mm		APVD	06MAY10					
TOLERANCES UNLESS OTHERWISE SPECIFIED: 0 PLC ±- 1 PLC ±0.1 2 PLC ±0.05 3 PLC ±- 4 PLC ±- ANGLES ±1 FINISH		PRODUCT SPEC	-		SIZE	CAGE CODE	DRAWING NO	RESTRICTED TO
MATERIAL		APPLICATION SPEC	-		A2	00779	C-1738088	-
-		WEIGHT	-		SCALE 4:1		SHEET 1 OF 1	REV A
-		CUSTOMER DRAWING						