

## Feed-through header - PC 6-16/ 8-GF-10,16 - 1913772

Please be informed that the data shown in this PDF Document is generated from our Online Catalog. Please find the complete data in the user's documentation. Our General Terms of Use for Downloads are valid (<http://phoenixcontact.com/download>)



PCB headers, nominal current: 76 A, number of positions: 8, pitch: 10.16 mm, color: green, contact surface: Silver, mounting: Wave soldering. The nominal current of 76 A applies in connection with connectors from the PC 16 family. 41 A are reached in connection with PC 6 connectors (50 A in accordance with UL).


The figure shows a 6-position version

### Your advantages

- ✓ Well-known mounting principle allows worldwide use
- ✓ Screwable flange for superior mechanical stability
- ✓ Maximum flexibility when it comes to device design – one header for connectors with different connection technologies



### Key Commercial Data

Packing unit	50 pc
GTIN	 4 017918 179250
GTIN	4017918179250

### Technical data

#### Dimensions

Length [ l ]	32 mm
Width	99.04 mm
Pitch	10.16 mm
Dimension a	71.12 mm
Width [ w ]	99.04 mm
Height [ h ]	17.71 mm
Height	13.71 mm
Length of the solder pin	4 mm
Pin dimensions	0.8 x 1.2 mm
Length	32 mm

#### General

# Feed-through header - PC 6-16/ 8-GF-10,16 - 1913772

## Technical data

### General

Range of articles	PC 6-16/..-GF
Rated surge voltage (III/3)	6 kV
Rated surge voltage (III/2)	8 kV
Rated surge voltage (II/2)	8 kV
Rated voltage (III/2)	1000 V
Rated voltage (II/2)	1000 V
Nominal current $I_N$	41 A
Color	green
Number of positions	8

### Standards and Regulations

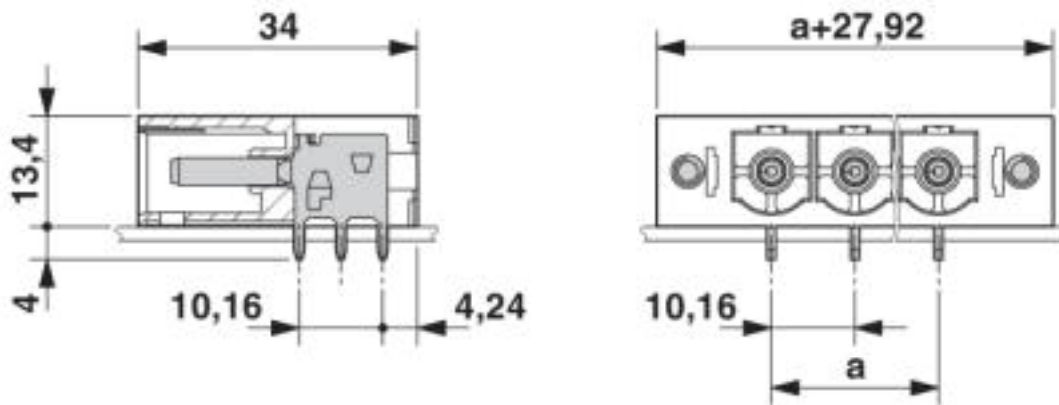
Connection in acc. with standard	CUL
----------------------------------	-----

### Environmental Product Compliance

China RoHS	Environmentally friendly use period: unlimited = EFUP-e
	No hazardous substances above threshold values

## Drawings

Dimensional drawing



## Approvals

### Approvals

#### Approvals


IECEE CB Scheme / SEV / EAC / cULus Recognized


#### Ex Approvals


# Feed-through header - PC 6-16/ 8-GF-10,16 - 1913772


## Approvals

### Approval details

IECEE CB Scheme		<a href="http://www.iecee.org/">http://www.iecee.org/</a>	CH-8077
Nominal voltage UN	1000 V		
Nominal current IN	76 A		

SEV		<a href="https://www.electrosuisse.ch/de/meta/shop/produktezertifikate.html">https://www.electrosuisse.ch/de/meta/shop/produktezertifikate.html</a>	IK-3431
Nominal voltage UN	1000 V		
Nominal current IN	76 A		

EAC			B.01742
-----	---	--	---------

cULus Recognized		<a href="http://database.ul.com/cgi-bin/XYV/template/LISEXT/1FRAME/index.htm">http://database.ul.com/cgi-bin/XYV/template/LISEXT/1FRAME/index.htm</a>	E60425-20040202
	B	C	D
Nominal voltage UN	300 V	300 V	600 V
Nominal current IN	66 A	66 A	5 A

Phoenix Contact 2019 © - all rights reserved  
<http://www.phoenixcontact.com>

PHOENIX CONTACT GmbH & Co. KG  
 Flachsmarktstr. 8  
 32825 Blomberg  
 Germany  
 Tel. +49 5235 300  
 Fax +49 5235 3 41200  
<http://www.phoenixcontact.com>