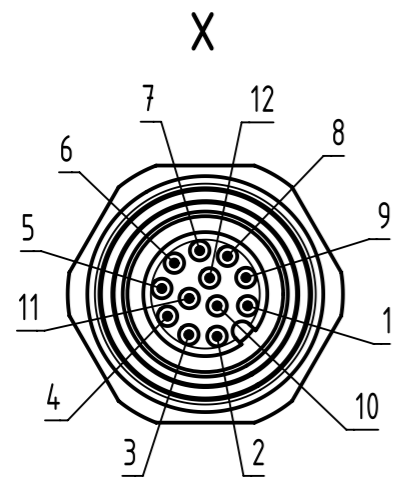


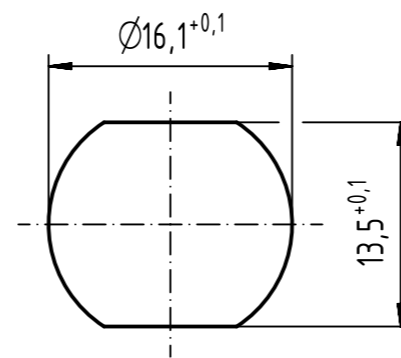
M12 A-coded 12-pole, female PFT front mounting connector



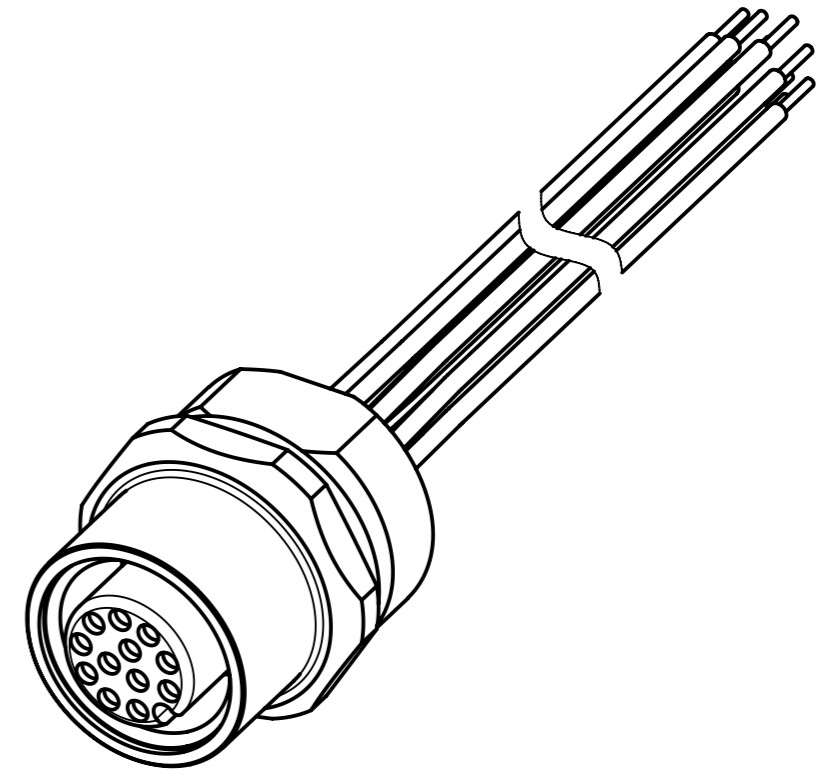
Loading-Plan:

- | | |
|----|-----------|
| 1 | brown |
| 2 | blue |
| 3 | white |
| 4 | green |
| 5 | pink |
| 6 | yellow |
| 7 | black |
| 8 | grey |
| 9 | red |
| 10 | violet |
| 11 | grey-pink |
| 12 | red-blue |

Recommended panel cut-out



Minimum wall thickness 1.5mm



- Protection level: IP67
- Temperature range: -30°C ... +80°C
- Order lock nut separately

1	21033532C00	AWG 26, PVC	0.5
Cont. No.	Part - no.	Type of cable	Dim. a[m]

	All rights reserved		Scale 2:1		Free size tol.		Ref.		
	Department EC PD - RO		Created by TAMAS	Inspected by AVRAM	Standardisation SCHREIER	Date 2017-07-28	State Final Release		
HARTING Electronics GmbH D-32339 Espelkamp			Title M12 A-coded Cable Assembly				Doc-Key / ECM-Nr. 100586969/UGD/009/C 500000122985		
			Type TB	Number 21033532CXX		Rev. C		Page 1/1	