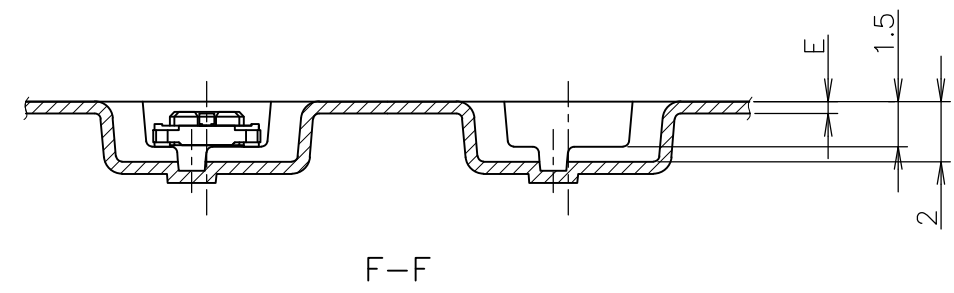
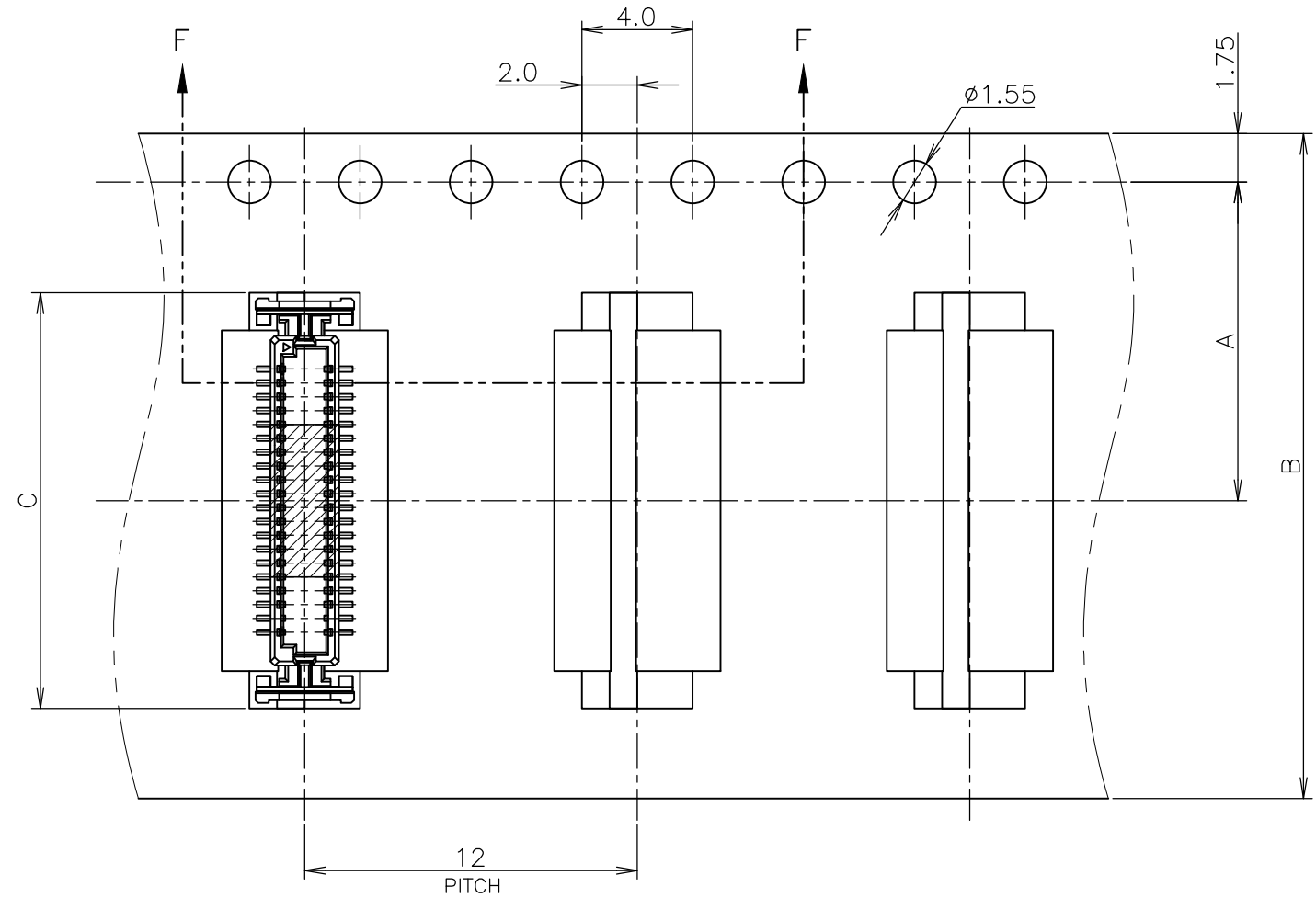
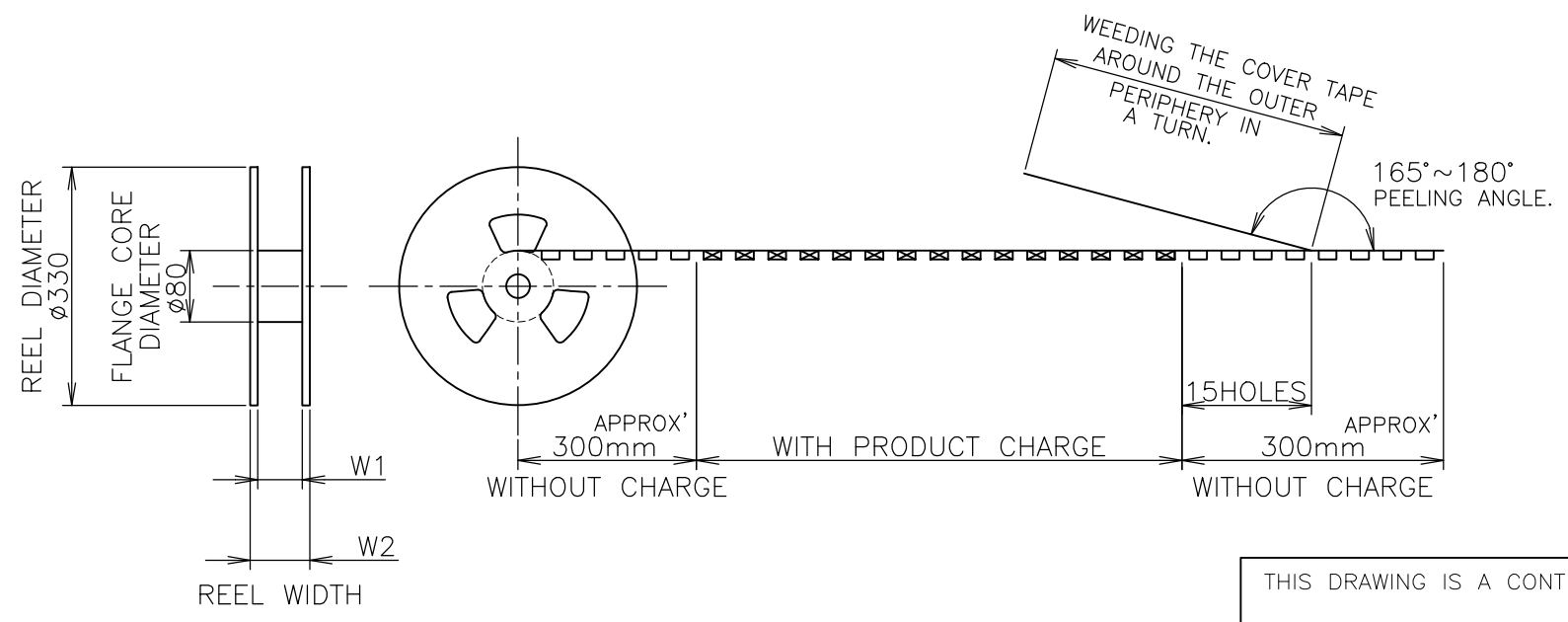


LOC		DIST		REVISIONS			DATE	DWN	APVD
ES				P	LTR	DESCRIPTION			
					B2	REVISED PER ECO-18-016260	11OCT2018	R.L	H.L



TOP OF REEL



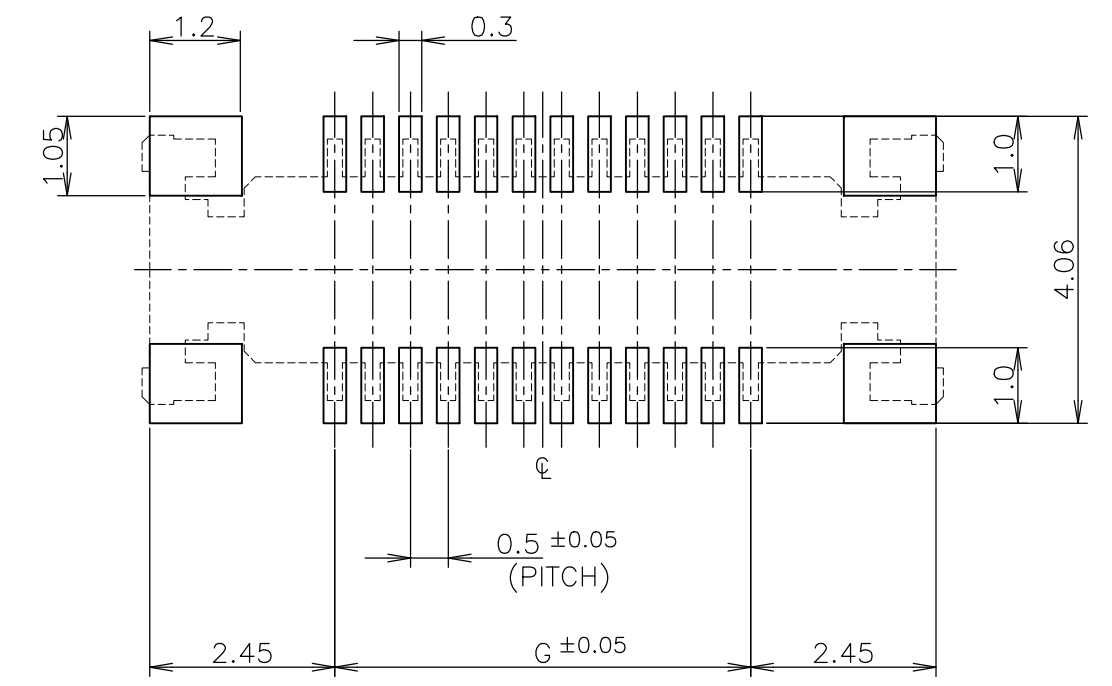
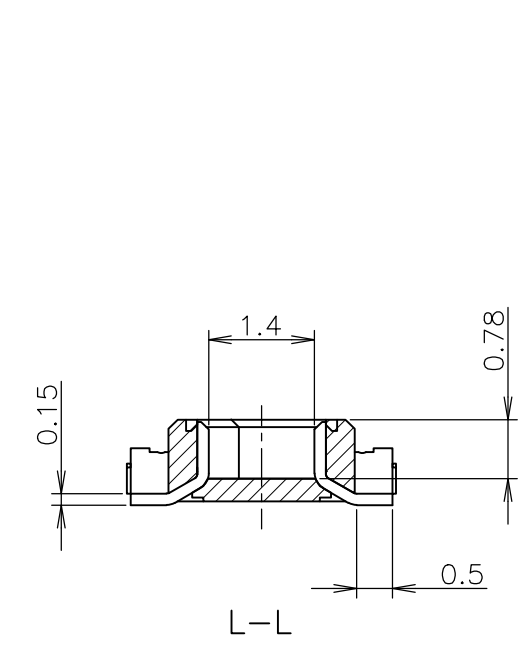
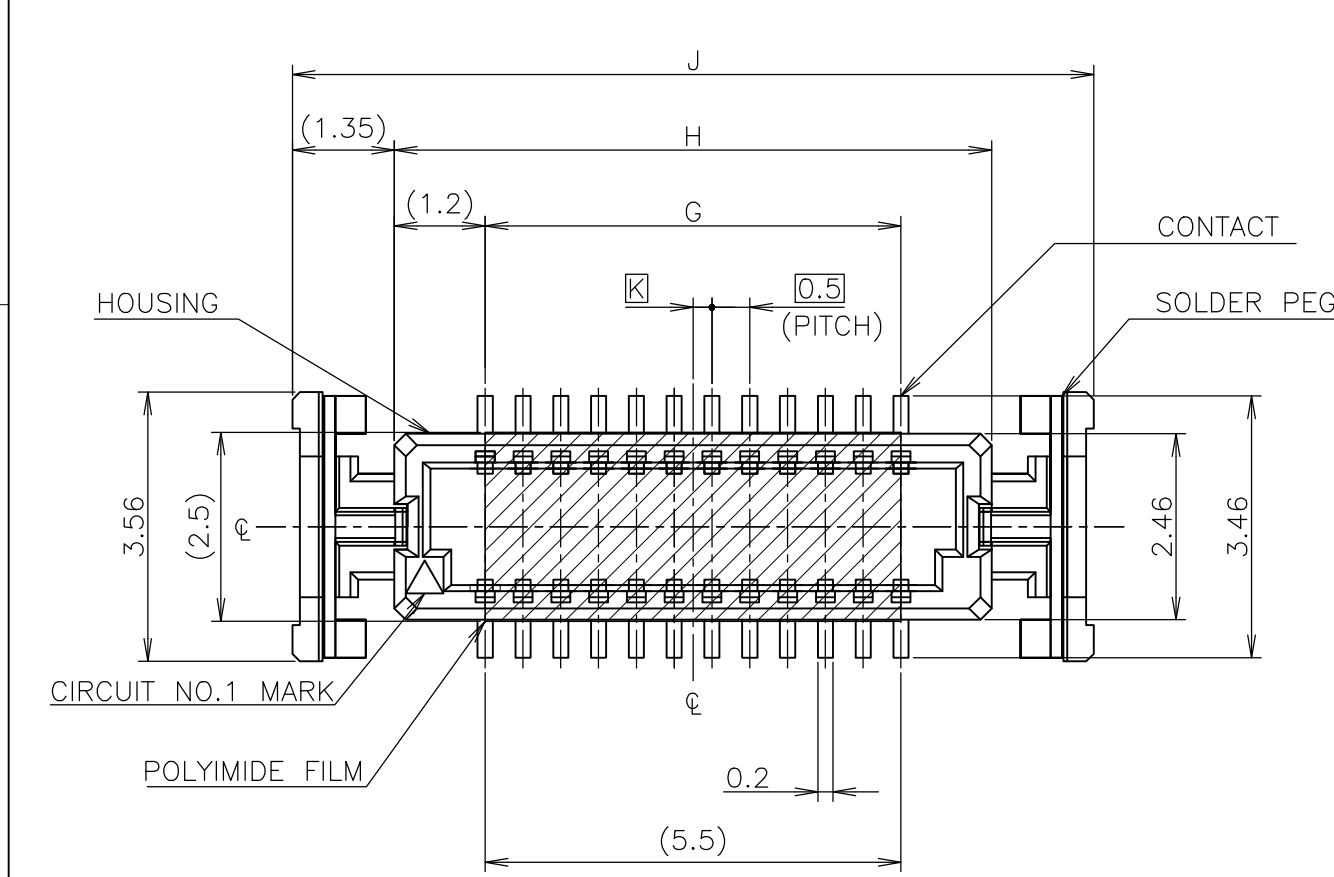
28.4	24.4	0.4	15.0	24	11.5	1500	40	4-5353515-5
28.4	24.4	0.4	15.0	24	11.5	1500	40	4-5353515-0
28.4	24.4	0.4	12.5	24	11.5	1500	30	3-5353515-0
20.4	16.4	0.4	9.75	16	7.5	1500	20	2-5353515-0
W2	W1	E	C	B	A	QTY/REEL	POS	TAPING P/N

INSTRUCTION SHEET
 411-5781

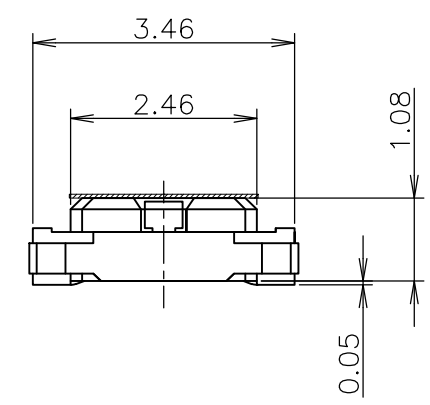
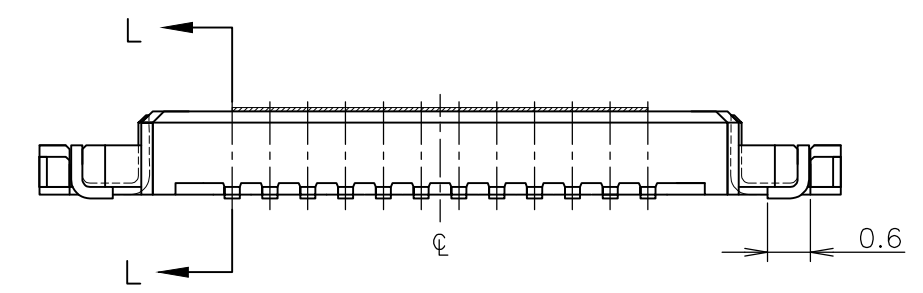
THIS DRAWING IS A CONTROLLED DOCUMENT.		DWN BILL LV 09SEP2010	Tyco Electronics Shanghai, P.R.China, 200233	
DIMENSIONS: 单位: 耗 mm		CHK MARTIN LI 09SEP2010	ON TAPING EMBOSS 0.5mm PITCH FS CONN. TAB ASSEMBLY WITH KEY & WITHOUT BOSS & POLYIMIDE FILM	
TOLERANCES UNLESS OTHERWISE SPECIFIED: 一般公差		APVD STEVEN YAO 09SEP2010	NAME 名称	
0 PLC ± 0.2 1 PLC ± 0.2 2 PLC ± 0.2 3 PLC ± 0.2 4 PLC ± 0.2 ANGLES ± 3'		PRODUCT SPEC 108-60048	SIZE A3	
MATERIAL 材料		APPLICATION SPEC 取付適用規格	CAGE CODE 00779	DRAWING NO C-5353515
FINISH 仕上		WEIGHT	RESTRICTED TO	
CUSTOMER DRAWING		SCALE 尺度 4:1	SHEET 1 of 2	REV B2

THIS DRAWING IS UNPUBLISHED. RELEASED FOR PUBLICATION NOV., 2004.
 © COPYRIGHT 2004 BY TYCO ELECTRONICS CORPORATION. ALL RIGHTS RESERVED.

LOC ES	DIST	REVISIONS 变更			DATE	DWN	APVD
		P	LTR	DESCRIPTION			
				SEE SHEET 1	-	-	-



(T=0.6 MIN.)
P.C. BOARD LAYOUT (REF.)



- 1 MATING COUNTER PART NUMBER: 5353511
- 2 MATERIAL
HOUSING: HIGH HEAT-RESISTED
CONTACT: COPPER ALLOY (t=0.15), Au PLATING.
SOLDER PEG: COPPER ALLOY (t=0.15), TIN PLATING.
- 3 CONTACT: Au PLATING (0.00076mm)

THIS DRAWING IS A CONTROLLED DOCUMENT.

DIMENSIONS: 单位: 耗 mm	TOLERANCES UNLESS OTHERWISE SPECIFIED: 一般公差
	0 PLC ± 0.2
	1 PLC ± 0.2
	2 PLC ± 0.2
	3 PLC ± 0.2
	4 PLC ± 0.2
	ANGLES ± 3°
MATERIAL 材料	FINISH 仕上

INSTRUCTION SHEET
411-5781

0.25	14.6	11.9	9.5	40	4-5353515-5
0.25	14.6	11.9	9.5	40	4-5353515-0
—//—	12.1	9.4	7	30	3-5353515-0
0.25	9.6	6.9	4.5	20	2-5353515-0
K	J	H	G	POS.	PART NO.

Tyco Electronics Tyco Electronics
Shanghai, P.R.China, 200233

ON TAPING EMBOSS
0.5mm PITCH FS CONN. TAB ASSEMBLY
WITH KEY & WITHOUT BOSS & POLYIMIDE FILM (2)

SIZE	CAGE CODE	DRAWING NO 番号	RESTRICTED TO
A3	00779	C-5353515	-

CUSTOMER DRAWING SCALE 10:1 SHEET 2 OF 2 REV B2