



Sealable cap for pushbutton, raised, 22 mm, front ring, raised, castellated, clear

product brand name	SIRIUS ACT
product designation	Sealable cap
design of the product	for pushbuttons with extended stroke
product type designation	3SU1

**General technical data**

protection class IP	IP66, IP67, IP69(IP69K)
degree of protection NEMA rating	1, 2, 3, 3R, 4, 4X, 12

**Installation/ mounting/ dimensions**

height	39.2 mm
width	32.5 mm
depth	36.2 mm

**Accessories**

material of accessory	Plastic
color of accessory	clear

**Certificates/ approvals**

General Product Approval	Declaration of Conformity
--------------------------	---------------------------



[Miscellaneous](#)



[Miscellaneous](#)

**Test Certificates    Marine / Shipping**

[Type Test Certificates/Test Report](#)



**other**

[Confirmation](#)

## Further information

Information- and Downloadcenter (Catalogs, Brochures,...)

<https://www.siemens.com/ic10>

Industry Mall (Online ordering system)

<https://mall.industry.siemens.com/mall/en/en/Catalog/product?mlfb=3SU1900-0EL70-0AA0>

Cax online generator

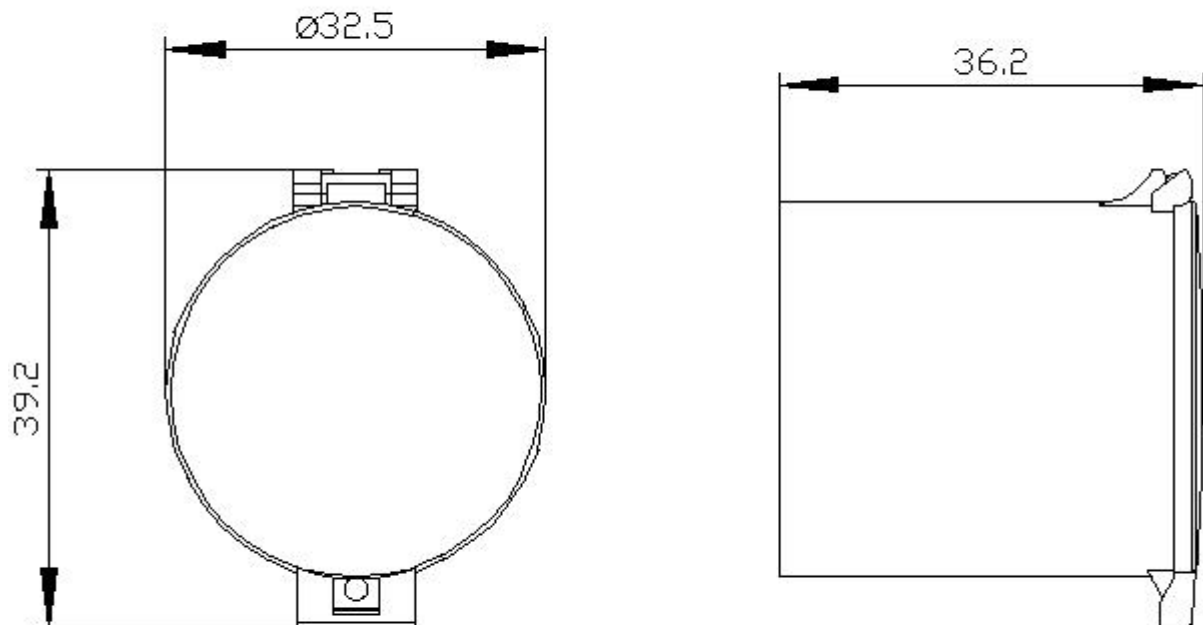
<http://support.automation.siemens.com/WW/CAXorder/default.aspx?lang=en&mlfb=3SU1900-0EL70-0AA0>

Service&Support (Manuals, Certificates, Characteristics, FAQs,...)

<https://support.industry.siemens.com/cs/ww/en/ps/3SU1900-0EL70-0AA0>

Image database (product images, 2D dimension drawings, 3D models, device circuit diagrams, EPLAN macros, ...)

[http://www.automation.siemens.com/bilddb/cax\\_de.aspx?mlfb=3SU1900-0EL70-0AA0&lang=en](http://www.automation.siemens.com/bilddb/cax_de.aspx?mlfb=3SU1900-0EL70-0AA0&lang=en)



last modified:

12/2/2020 