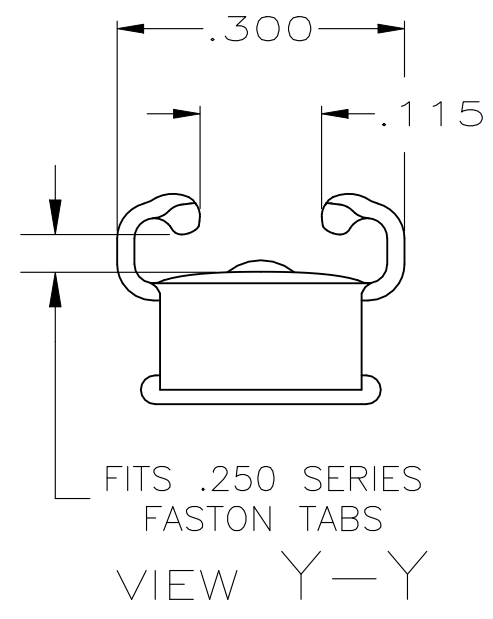
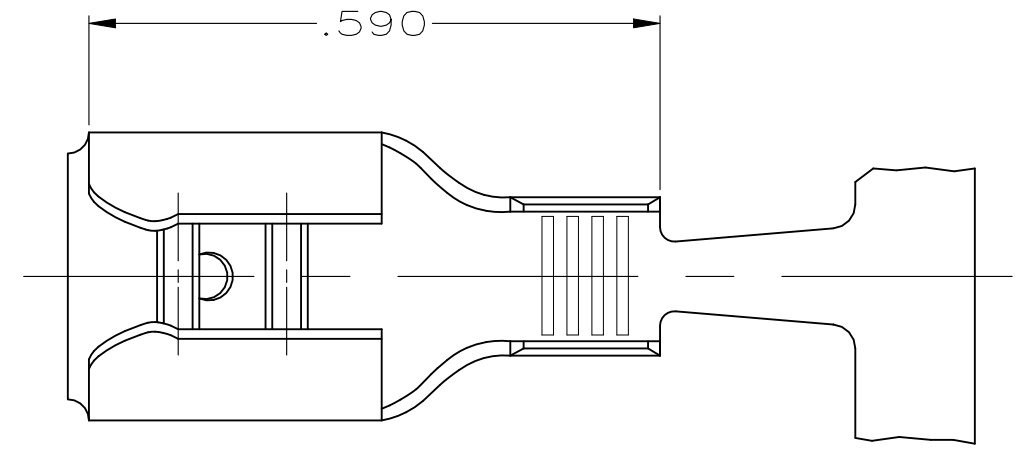
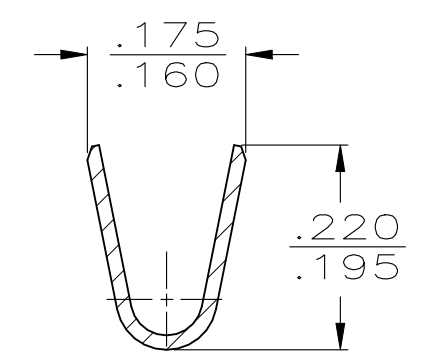
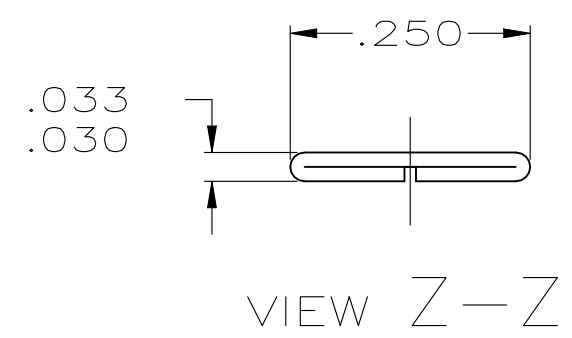
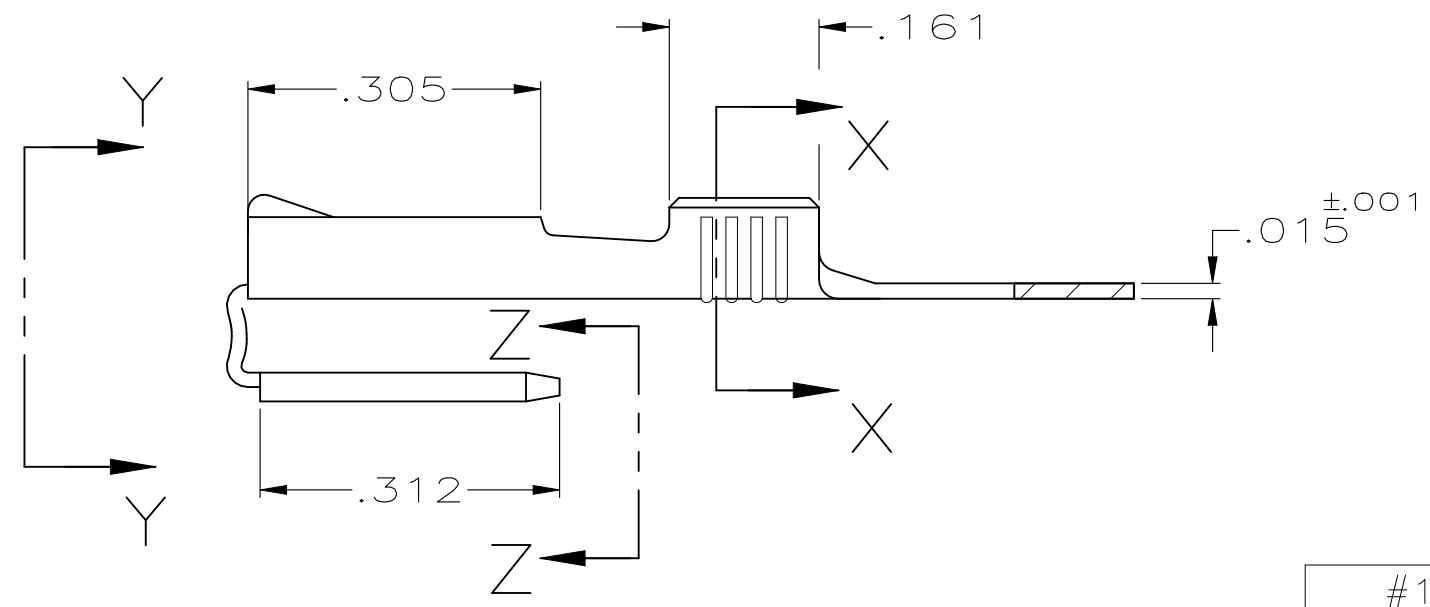


REVISIONS					
P	LTR	DESCRIPTION	DATE	DWN	APVD
	F1	REVISED PER ECR-21-113405	31MAY2022	SS	DH


- 1 CONTINUOUS STRIP ON REELS
- 2 THE GAP ON THE ROLLS TO BE IN CONTACT WITH THE TAB FOR THE LENGTH OF THE ROLL BEHIND THE LEAD-IN.



FITS .250 SERIES FASTON TABS



#14-#10 AWG - 9600 CMA MAX	.032	62068-1
WIRE SIZE	MATING TAB THK ±.001	PART NO.

THIS DRAWING IS A CONTROLLED DOCUMENT.		DWN JR RUTH 4/11/91	 TE Connectivity RECEPTACLE, PIGGYBACK, FASTON, .250 SERIES					
DIMENSIONS: INCHES		CHK MS FEHER 4/11/91				NAME		
TOLERANCES UNLESS OTHERWISE SPECIFIED:		APVD C MEYERS 4/11/91				PRODUCT SPEC		
0 PLC ± - 1 PLC ± - 2 PLC ± - 3 PLC ± .015 4 PLC ± - ANGLES ± -		APPLICATION SPEC						
MATERIAL BRASS	FINISH PRE-TIN	WEIGHT 0.000000	SIZE A3	CAGE CODE 00779	DRAWING NO C-62068	RESTRICTED TO -		
CUSTOMER DRAWING			SCALE 5:1	SHEET 1 OF 1	REV F1			