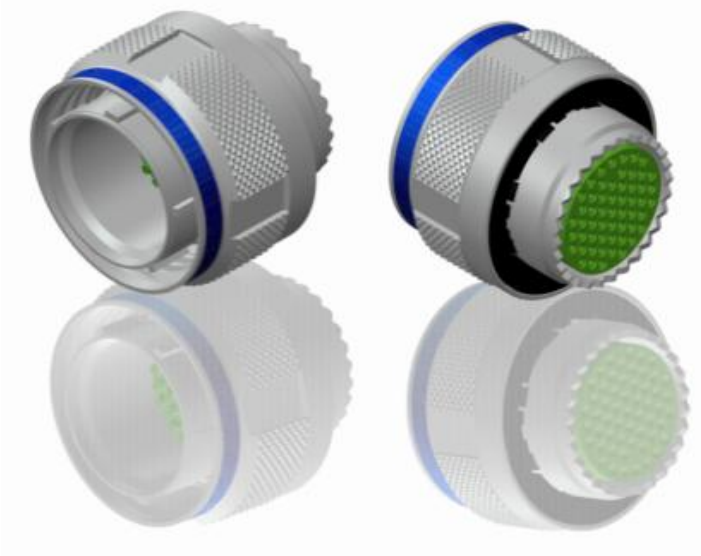
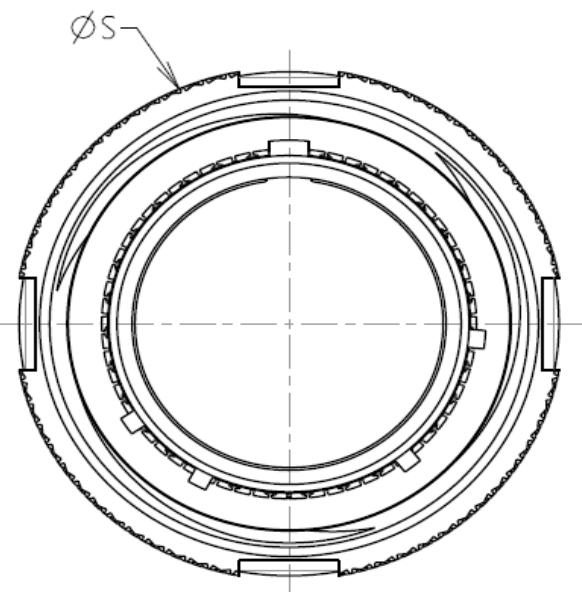
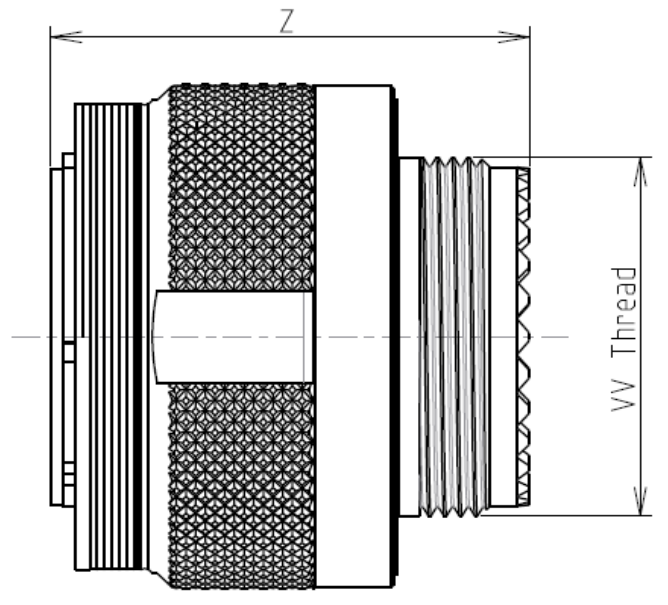


H G F E D C B A



LAYOUT SHOWN AS EXAMPLE

Keying Shown as example

CHARACTERISTICS

- Standard : Based on MIL-DTL-38999 Series III
- Shell Material : Stainless Steel
- Shell Plating : Nickel
- Insulator : Thermoplastic
- Contacts : Copper Alloy
- Seals & Grommet : Silicon Elastomer
- Contact Plating : Gold over copper Alloy 0.8µm minimum
- Durability : 500 Mating cycles
- Delivered with Souriau contacts and Accessories
- Temperature Range : -65°C to +200°C
- Salt Spray : 500 hours
- Mass : 121.64 g ± 10%

Connector dimension	
Dim	Nominal
ØS	48 Max
Z	31 Max
VV THREAD	M37x1-6g

SOURIAU shall not be liable for any non-conformity or damage due to a use of the Products which does not comply with the Specifications issued by either of the Parties or by a third party (professional recommendation, technical notice.)

Country	Jurisdiction & Control List
FR	Not Listed

PN: 8D525S24AD

A	08-10-2016	First Release	
ISS	DATE	Latest modification - by	MOD N°
Designed By:		Date:	CUSTOMER DRAWING
TITLE	Stainless Steel Plug 8D series		
SCALE		General linear Tolerances: ±--	NPRDS / PROJECT 859
NA	SOURIAU WWW.SOURIAU.COM		This document is the property of SOURIAU it must not be reproduced or communicated without permission
FORMAT	A3		SOURIAU DRG N° 8D525S24AD-C SHEET 1/2

BASIC SERIES:	8D	5	-	25	S	24	A	D	ORIENTATION : D
SHELL TYPE :	Plug with RFI Shielding								CONTACT TYPE : PIN(500 Matings)
CONTACT TYPE :	Standard Crimp Contact								CONTACT LAYOUT : 25-24
SHELL SIZE :	25								
PLATING :	S = Nickel								

H G F E D C B A

Contact Layout



Contacts (Insert arrangement 25-24)					
Contact position ID	Location		Contact position ID	Location	
	X-axis	Y-axis		X-axis	Y-axis
A	+000 (0.00)	+472 (11.99)	N	-403 (10.24)	+298 (7.57)
B	+230 (5.84)	+410 (10.41)	P	-230 (5.84)	+410 (10.41)
C	+403 (10.24)	+298 (7.57)	R	+000 (0.00)	+234 (5.94)
D	+461 (11.71)	+100 (2.54)	S	+230 (5.84)	+172 (4.37)
E	+413 (10.49)	-134 (3.40)	T	+186 (4.72)	-062 (1.57)
F	-370 (9.40)	-336 (8.53)	U	-211 (5.36)	-267 (6.78)
G	+230 (5.84)	-441 (11.20)	V	+000 (0.00)	-323 (8.20)
H	+000 (0.00)	-495 (12.57)	W	-211 (5.36)	-267 (6.78)
J	-230 (5.84)	-441 (11.20)	X	-186 (4.72)	-062 (1.57)
K	-370 (9.40)	-336 (8.53)	Y	-230 (5.84)	+172 (4.37)
L	-413 (10.49)	-134 (3.40)	Z	+000 (0.00)	+028 (0.71)
M	-461 (11.71)	+100 (2.54)	a	+000 (0.00)	-151 (3.84)

Shell size	Arrangement no.	Number of contacts	Size contacts	Service rating	Contact location
25	-24	12	12	I	A,B,D,E,L,M P,R,S,T,X,Y
		12	16		All others

SOURIAU shall not be liable for any non-conformity or damage due to a use of the Products which does not comply with the Specifications issued by either of the Parties or by a third party (professional recommendation, technical notice.)

Country	Jurisdiction & Control List
FR	Not Listed

PN: 8D525S24AD

A	08-10-2016	First Release	
ISS	DATE	Latest modification - by	MOD N°
Designed By:		Date:	CUSTOMER DRAWING
TITLE	Stainless Steel Plug 8D series		
SCALE		General linear Tolerances:	NPRDS / PROJECT
NA		±--	859
SOURIAU	WWW.SOURIAU.COM		This document is the property of SOURIAU it must not be reproduced or communicated without permission
FORMAT	SOURIAU DRG N° 8D525S24AD-C		SHEET 2/2