

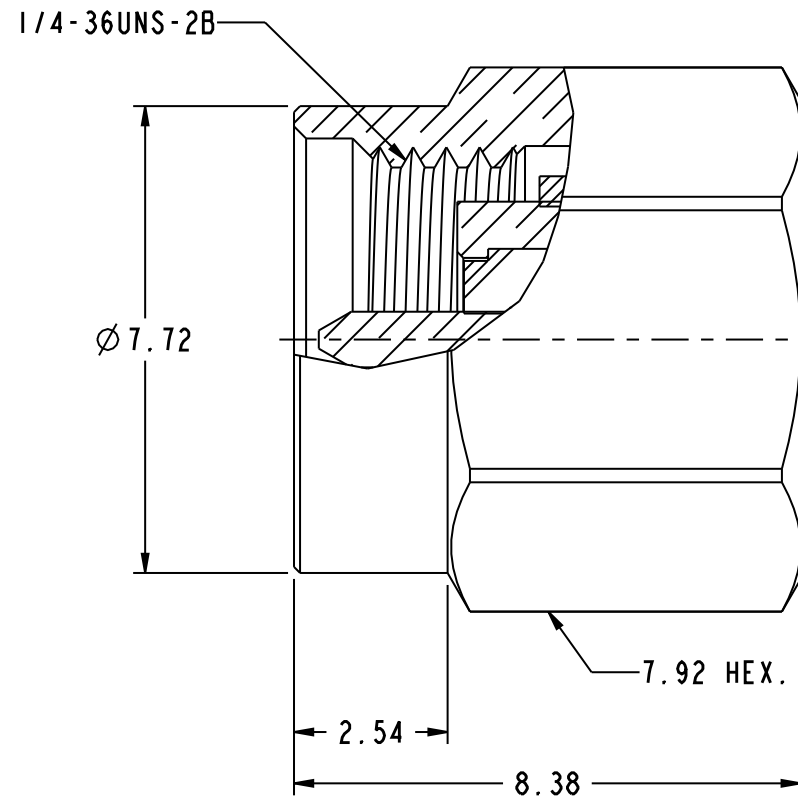
NOTES:

1. MATERIAL AND FINISH (PLATING THICKNESS IN MICRO-INCHES):
 BODY - BRASS, GOLD PLATING
 CONTACT -BRASS, GOLD PLATING
 INSULATOR - PTFE, NATURAL
2. ELECTRICAL:
 A. IMPEDANCE:50 OHM
 B. FREQUENCY RANGE: 0-12.4 GHz.
3. MECHANICAL:
 A. DURABILITY:500 CYCLES MIN.
 B. TEMPERATURE RANGE:-65°C TO +165°C

THIRD ANGLE PROJ.

REVISIONS

REV	DESCRIPTION	DATE	ECO	APPR
C	NO. 1 AND NO.2 WERE CHANGED\RD-DM93040801E	04-08-04'		SH
D	GS00AAA87A WAS S-6/43X06\RD-DM06050501C	05-05-06'		SH
E	NO.1 WAS CHANGED\RD-DM06102001C	10-26-06'		SH
F	NO.3 WAS CHANGED\RD-DM10102601S4	23-Nov-10		SH
G	USE NEW GLOBAL FORMAT\RD-DM10121501F	15-Dec-10	48365	SH



CUSTOMER OUTLINE DRAWING
 ALL OTHER SHEETS ARE FOR INTERNAL USE ONLY

UNLESS OTHERWISE SPECIFIED, DIMENSIONS ARE IN METRIC AND TOLERANCES ARE:
 <0.5mm ±0.05mm 0.5 - 6mm ±0.1mm 6 - 30mm ±0.2mm 30 - 120mm ±0.3mm ANGLES ±1°

NOTICE - These drawings, specifications, or other data (1) are, and remain the property of Amphenol corp. (2) must be returned upon request; and (3) are confidential and not to be disclosed to any person other than those to whom they are given by Amphenol Corp. the furnishing of these drawings, specifications, or other data by Amphenol Corp., or to any other person to anyone for any purpose is not to be regarded by implication or otherwise in any manner licensing, granting rights to permitting such holder or any other person to manufacture, use or sell any product, process or design, patented or otherwise, that may in any way be related to or disclosed by said drawings, specifications, or other data.

MATERIAL	DRAWN F. WANG	DATE 15-Dec-10	TITLE SMA TERMINATOR PLUG		Amphenol RF Danbury CT USA, Tainan, Taiwan, Shenzhen, China www.amphenolrf.com	
REFERENCE AND CONFIGURATION LEVEL:	ENGINEER S. LI	DATE 23-Nov-10				
FINISH	APPROVED S. HSIEH	DATE 15-Dec-10	SCALE: 5.0:1.0	SHEET 2 OF 2	DRAWING NO. 901-10106	
	CAD FILE I:/SMA/901-10106		DWG SIZE B	REV G	ITEM NO. 901-10106	
					PART NO.901-10106	