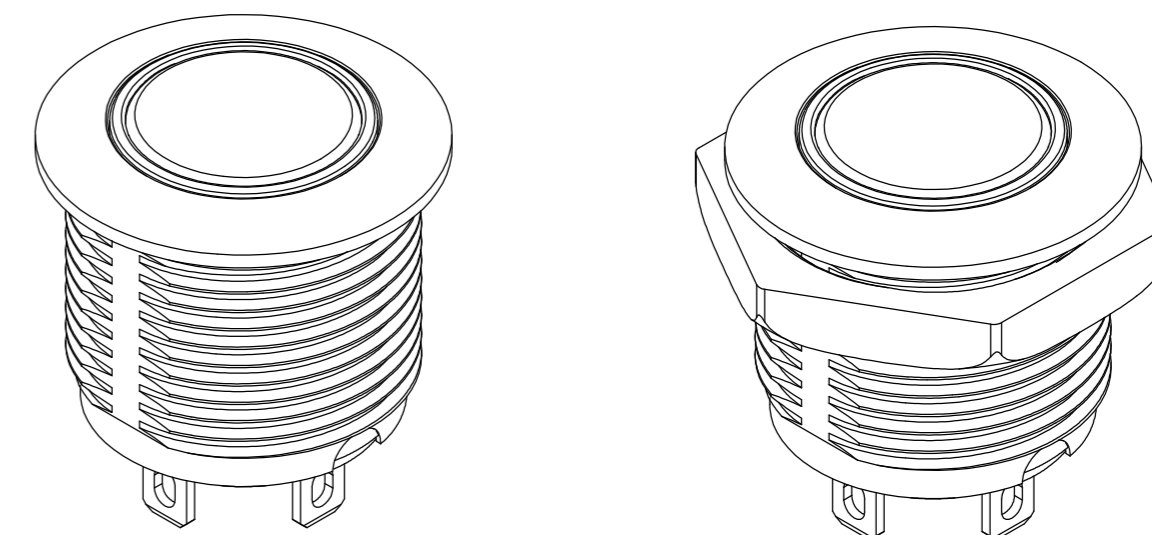
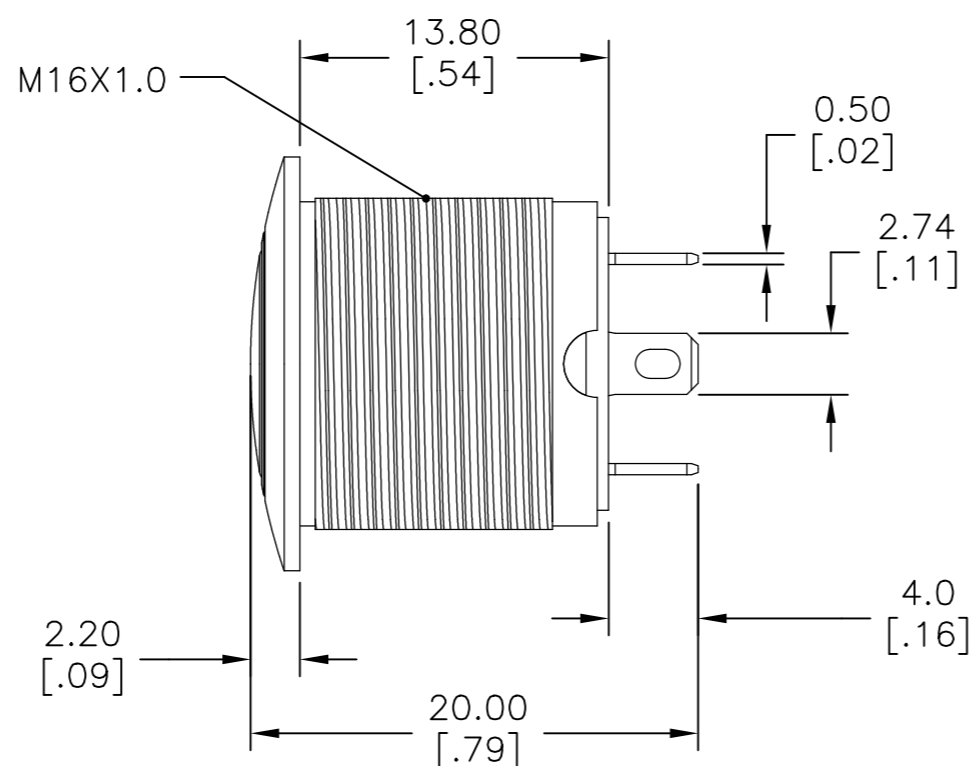
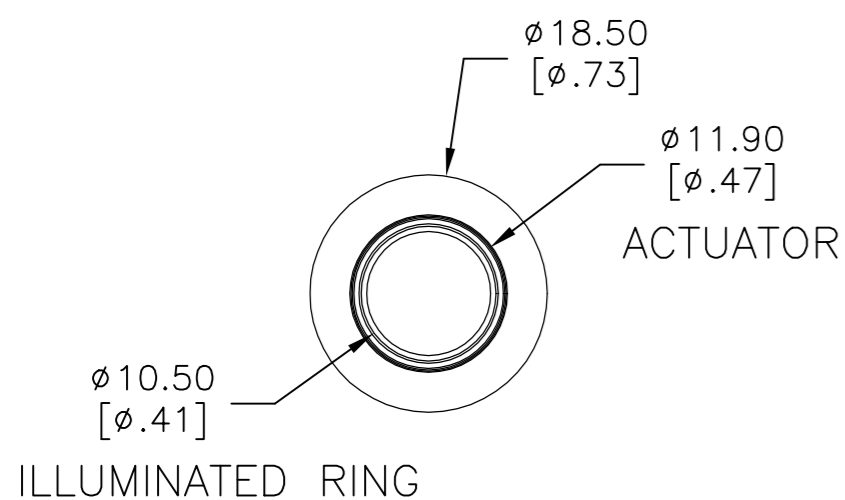


THIS DRAWING IS UNPUBLISHED. RELEASED FOR PUBLICATION
 © COPYRIGHT - By - ALL RIGHTS RESERVED.

REVISIONS					
P	LTR	DESCRIPTION	DATE	DWN	APVD
	A1	ECR-17-012492	04JAN2019	RSM	AS



ASSEMBLED VIEW

SPECIFICATIONS

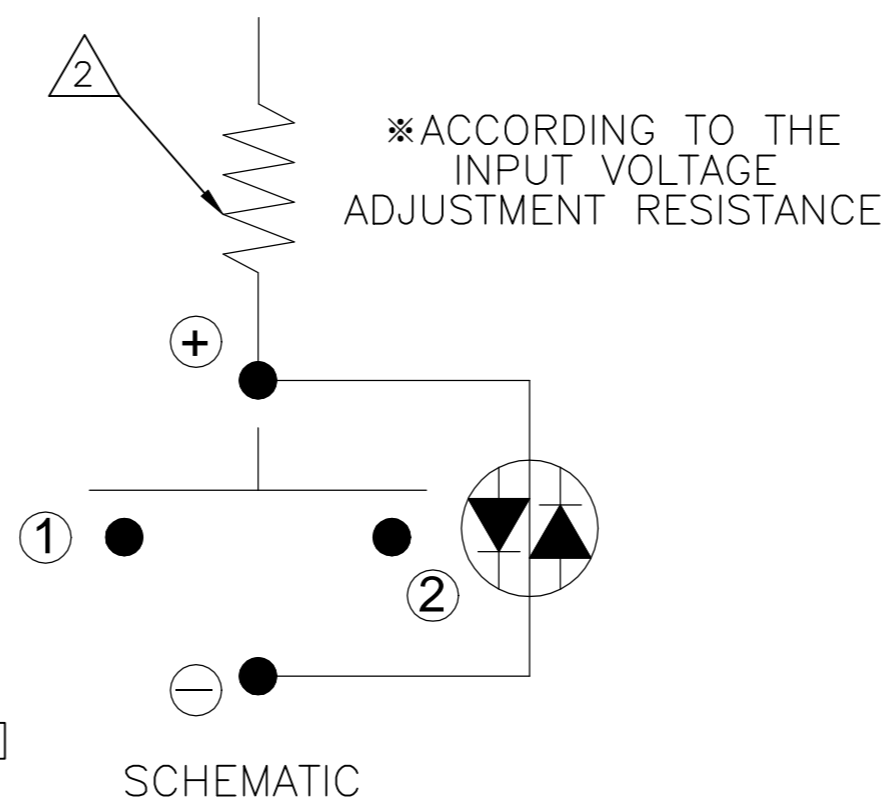
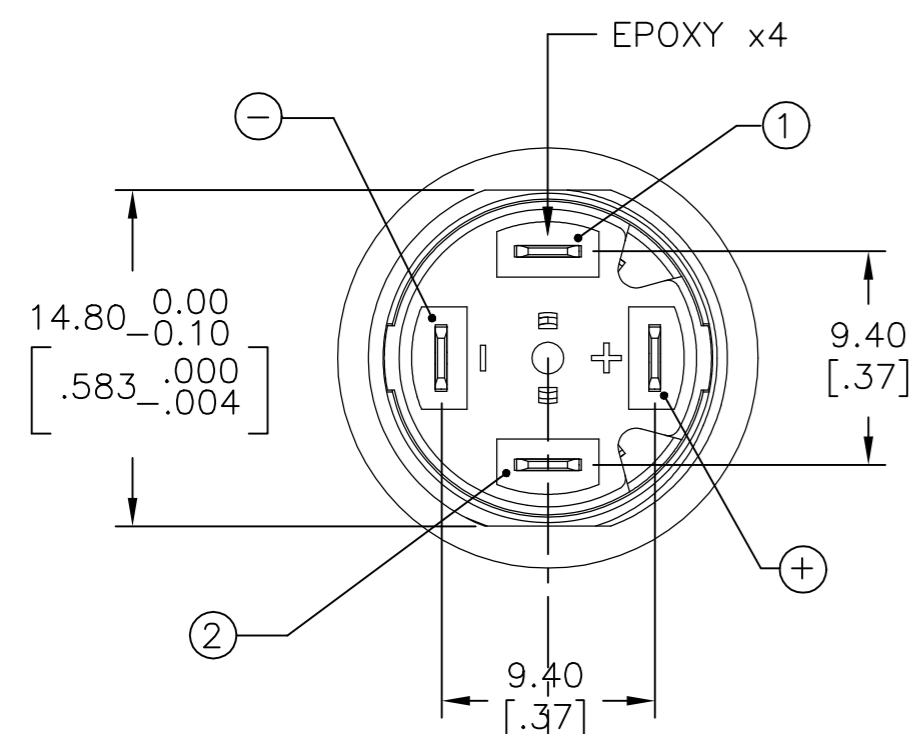
CONTACT RATING: 2A @ 36 VDC RESISTIVE
 INSULATION RESISTANCE: 1,000MΩ MIN AT 500VDC
 DIELECTRIC STRENGTH: 2,000V RMS @ SEA LEVEL
 CONTACT RESISTANCE: 50 mΩ MAX
 ELECTRICAL LIFECYCLES: 200,000 MAKE AND BREAK CYCLES AT FULL LOAD

ACTUATION FORCE: 4.5±1.5 NEWTONS
 ACTUATION TRAVEL: APPROXIMATELY 2.0±0.20mm
 OPERATING TEMPERATURE: -20°C TO +70°C
 MECHANICAL LIFECYCLES: 1,000,000 CYCLES
 HARDWARE TORQUE: 1.15 N-m MAX
 SEALED PER IP67

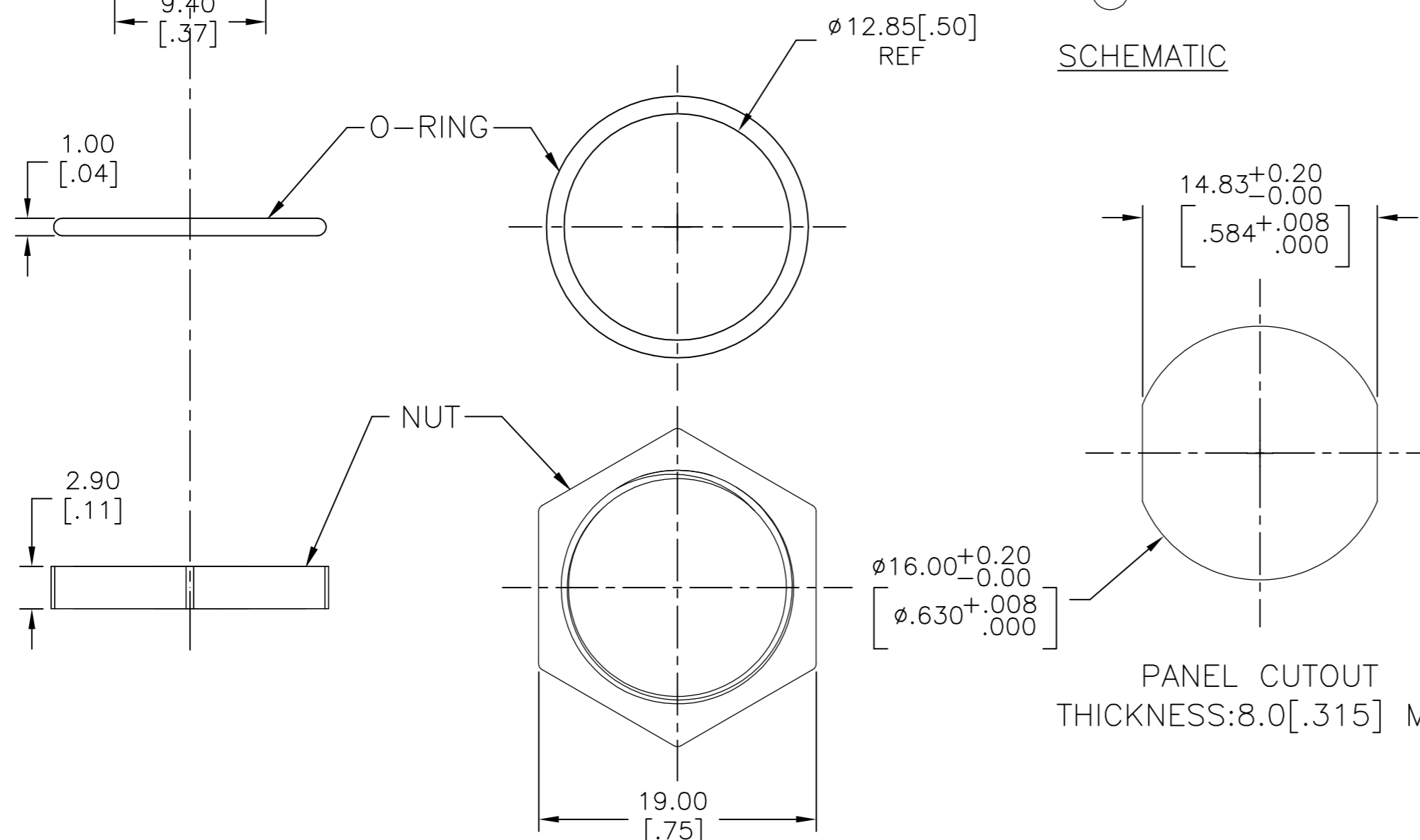
MATERIALS

BUSHING: ALUMINUM ALLOY
 BASE: PBT (UL 94-V0)
 ACTUATOR: PC (TRANSLUCENT UL 94-V2)
 CAP: ALUMINUM ALLOY
 SPRING: STEEL
 SEALING: SILICONE
 O-RING: SILICONE (TRANSLUCENT)
 TERMINAL: BRASS, GOLD FLASH PLATED
 CONTACT: COPPER BASE, SILVER PLATED
 HEX NUT: BRASS BASE, NICKEL PLATED

- 1 ALL MATERIAL AND FINISHES SHALL COMPLY WITH EU DIRECTIVE 2002/95/EC OF 27JAN2003 (ROHS)
- △ CURRENT LIMITING RESISTOR IS SUPPLIED TO LIMIT LED FORWARD CURRENT TO 20mA.



SCHEMATIC



PANEL CUTOUT THICKNESS: 8.0 [.315] MAX

THIS DRAWING IS A CONTROLLED DOCUMENT.		DWN NAGALAKSHMI K 09FEB2016		
DIMENSIONS: mm [INCHES]		CHK HILL RYAN 09FEB2016		
TOLERANCES UNLESS OTHERWISE SPECIFIED:		APVD HILL RYAN 09FEB2016	NAME ANTI-VANDAL SWITCH 16mm MOVING RING LED	
0 PLC ± -		PRODUCT SPEC		
1 PLC ± -		APPLICATION SPEC		
2 PLC ± 0.25[.01]				
3 PLC ± -				
4 PLC ± -				
ANGLES ± 5°				
MATERIAL		WEIGHT	SIZE A2	CAGE CODE 00779
			DRAWING NO G=2213774	RESTRICTED TO
CUSTOMER DRAWING			SCALE 3:1	SHEET 1 of 2
			REV A1	

4

3

2

1

THIS DRAWING IS UNPUBLISHED.

RELEASED FOR PUBLICATION

--,--

© COPYRIGHT -- By --

ALL RIGHTS RESERVED.

REVISIONS

P	LTR	DESCRIPTION	DATE	DWN	APVD
	--	SEE SHEET 1	--	--	--

D

D

C

C

B


B

A

A

2213774

SINGLE POLE-MOMENTARY	BLUE	24V	AV1610R724R04	1-2213774-0
	BLUE	12V	AV1610R712R04	2213774-9
	GREEN	24V	AV1610R624R04	2213774-8
	GREEN	12V	AV1610R612R04	2213774-7
	YELLOW	24V	AV1610R524R04	2213774-6
	YELLOW	12V	AV1610R512R04	2213774-5
	RED	24V	AV1610R324R04	2213774-4
	RED	12V	AV1610R312R04	2213774-3
	WHITE	24V	AV1610R124R04	2213774-2
WHITE	12V	AV1610R112R04	2213774-1	
POLE/THROW	LED COLOR	LED VOLTAGE	TE DESCRIPTIVE PN	TE PART NUMBER

THIS DRAWING IS A CONTROLLED DOCUMENT.		DWN NAGALAKSHMI K	09FEB2016	 TE Connectivity	
DIMENSIONS: mm [INCHES]		CHK HILL RYAN	09FEB2016		
TOLERANCES UNLESS OTHERWISE SPECIFIED:		APVD HILL RYAN	09FEB2016	NAME ANTI-VANDAL SWITCH 16mm MOVING RING LED	
0 PLC ± - 1 PLC ± - 2 PLC ± 0.25[.01] 3 PLC ± - 4 PLC ± - ANGLES ± 5°		PRODUCT SPEC	APPLICATION SPEC		RESTRICTED TO
MATERIAL	FINISH	WEIGHT	SCALE	SIZE	CAGE CODE
-	-	-	3:1	A2	00779
CUSTOMER DRAWING			SCALE	DRAWING NO	REV
			3:1	C=2213774	A1
			SHEET	2 of 2	