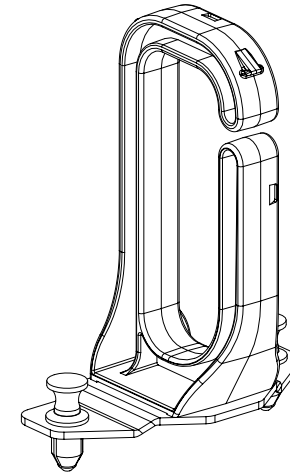
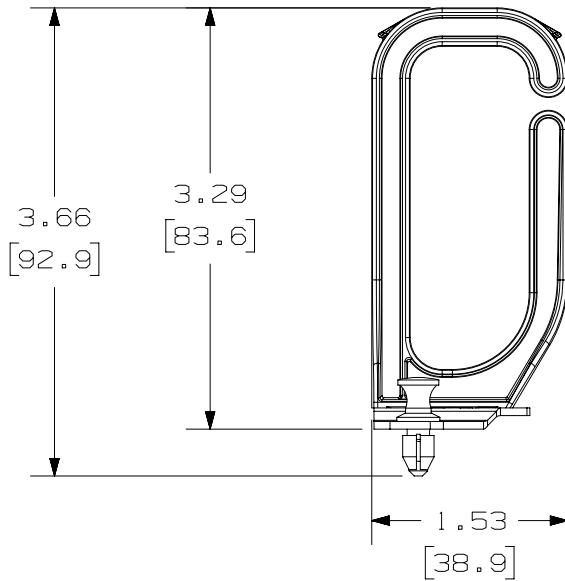
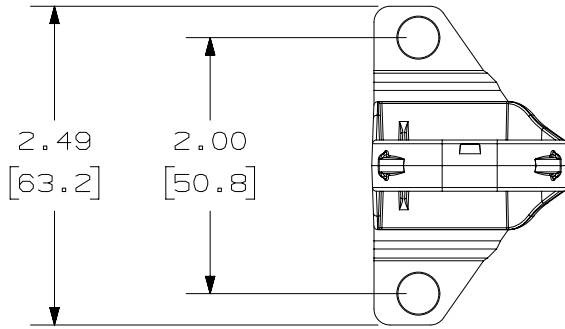
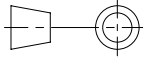


THIS COPY IS PROVIDED ON A RESTRICTED BASIS AND IS NOT TO BE USED IN ANY WAY DETRIMENTAL TO THE INTERESTS OF PANDUIT CORP.

NOTES:

1. VISIT OUR ON-LINE CATALOG AT WWW.PANDUIT.COM FOR A LIST OF CURRENT PARTS APPLICABLE FOR USE WITH THIS PRODUCT.
2. DIMENSIONS IN [] ARE METRIC.
3. WEIGHT: 0.06 LB/EACH PC (26.7 g/EACH PC)
4. PART INCLUDES:
1- CABLE MANAGEMENT RING



PART NUMBER		CMBBCMR	
TITLE		CABLE MANAGEMENT RING	
		CUSTOMER DRAWING	
ITEM REVISION NAME		00101EBR/00	
DATASET FILE NAME		00101EBR_DC/00A	
		THIRD ANGLE PROJECTION	
MATERIAL		DRAWING NUMBER	
BRACKET-16 GA CRS, RING-POLYCARBONATE		00101EBR-DC	
DRAWN BY	DATE	CHK	SCALE
BJN	03-21-18	BSN	NONE
REV		SHEET 1 OF 1	
DATE		A	

00A	03-21-18	BJN	BSN	JEFK	RELEASED TO PRODUCTION	00101EBR-DC
REV	DATE	BY	CHK	APR	DESCRIPTION	ECN

A-SIZE CUSTOMER

2

1

2

1