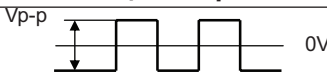


MODEL: CPS-3016-110L100 | **DESCRIPTION:** PIEZO BUZZER TRANSDUCER**FEATURES**

- 12 V rated
- 110 dB
- wire leads

**SPECIFICATIONS**

| parameter | conditions/description | min | typ | max | units |
|---------------------------|---|--------|--------|--------|-------|
| rated voltage |  | | 12 | | Vp-p |
| operating voltage | | 1 | | 40 | Vp-p |
| current consumption | at rated voltage, 3,200 Hz, ½ duty square wave | | | 5 | mA |
| rated frequency | | | 3,200 | | Hz |
| sound pressure level | at 10 cm, rated voltage, 3,200 Hz, ½ duty square wave | 110 | 115 | | dB |
| electrostatic capacitance | at 100 Hz | 18,200 | 26,000 | 33,800 | pF |
| tone | single | | | | |
| dimensions | Ø30.6 x 16.0 | | | | mm |
| weight | | | 5.5 | | g |
| material | ABS777D | | | | |
| terminal | wire leads | | | | |
| operating temperature | | -30 | | 70 | °C |
| storage temperature | | -40 | | 85 | °C |
| washable | no | | | | |
| RoHS | yes | | | | |

Notes: 1. All specifications measured at 25±3°C, humidity at 60~70%, under 86~106 kPa pressure, unless otherwise noted.

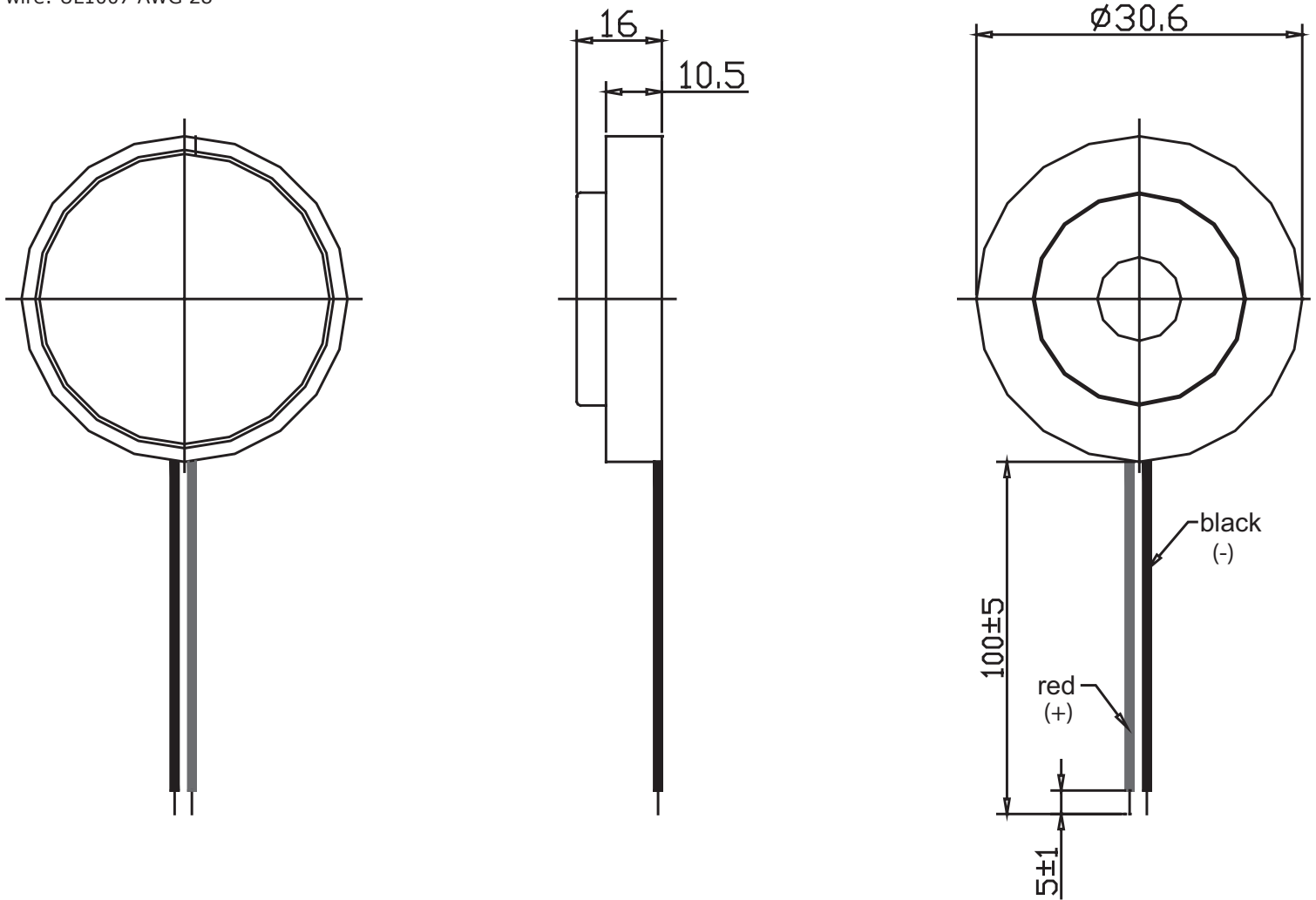
SOLDERABILITY

| parameter | conditions/description | min | typ | max | units |
|----------------|------------------------|-----|-----|-----|-------|
| hand soldering | | 360 | 380 | 400 | °C |

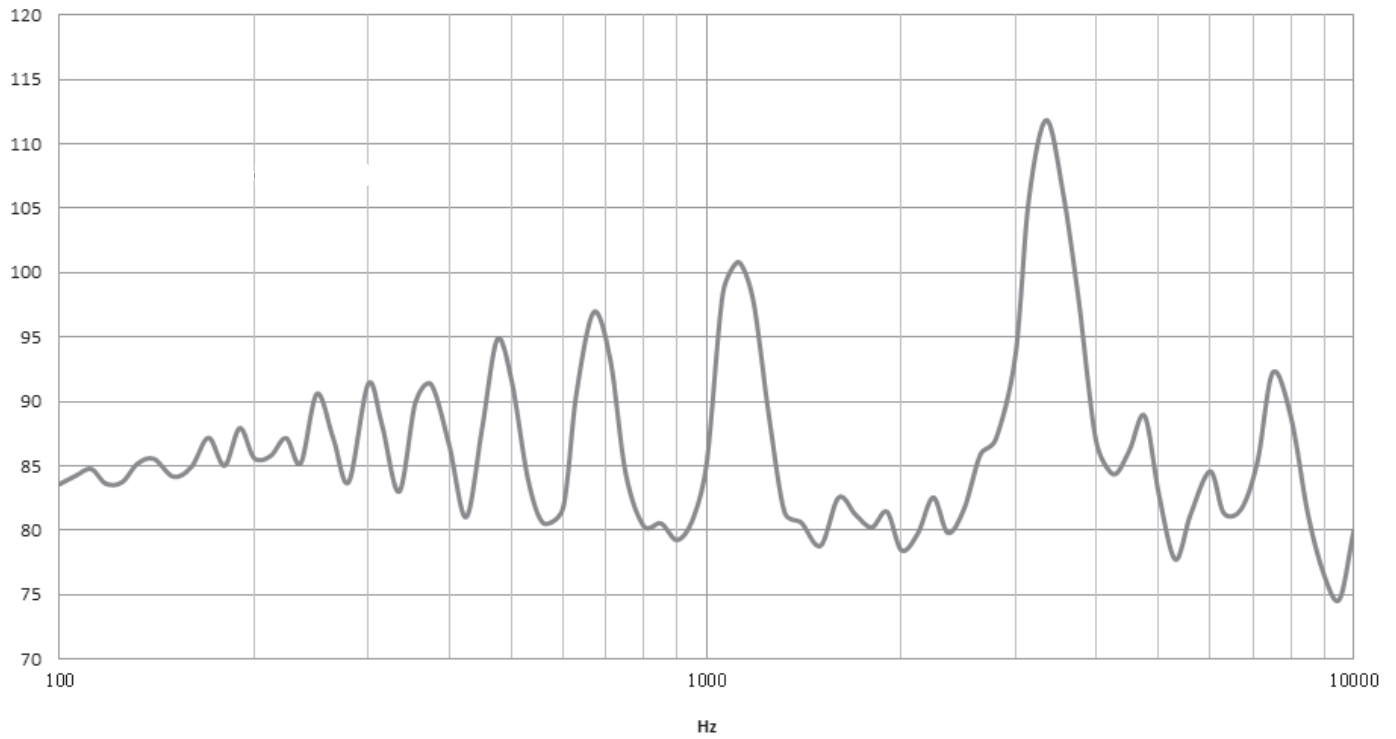
MECHANICAL DRAWING

units: mm
tolerance: ± 0.5 mm

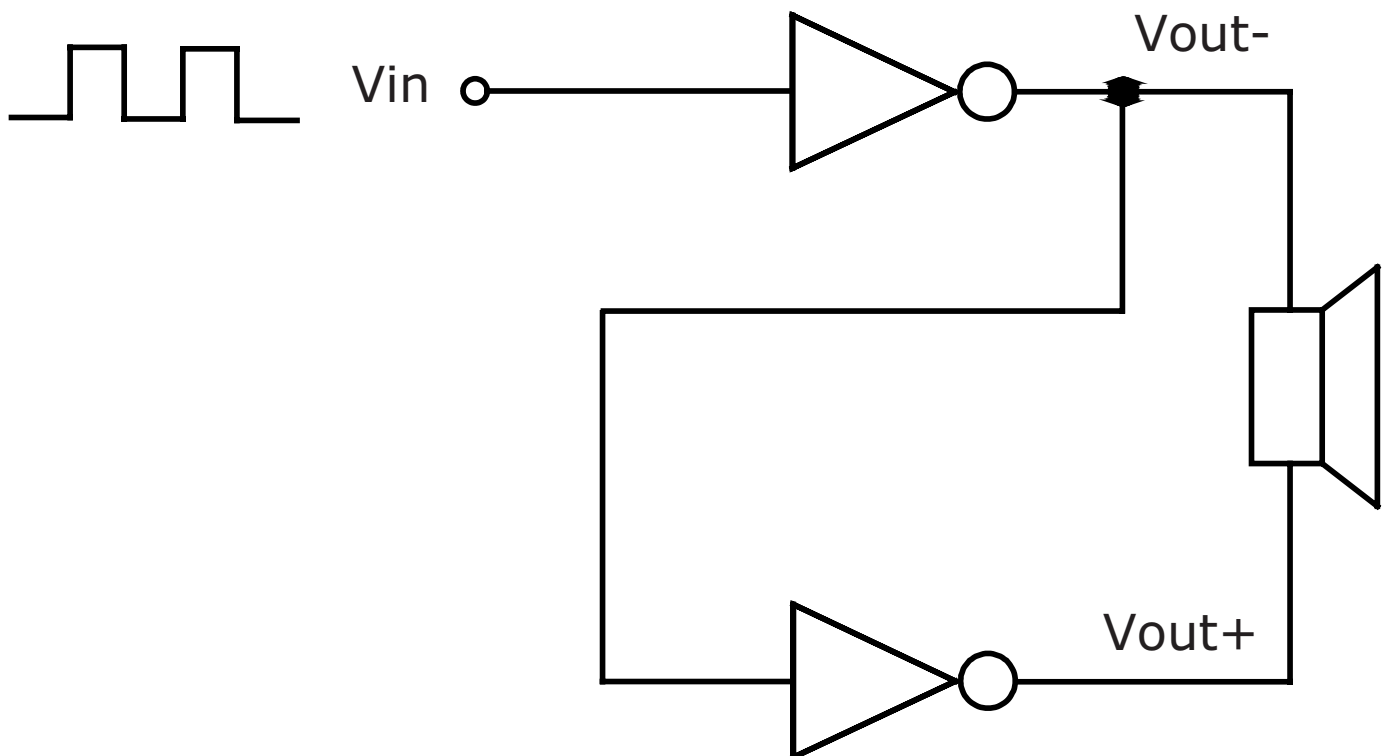
wire: UL1007 AWG 28



FREQUENCY RESPONSE CURVE



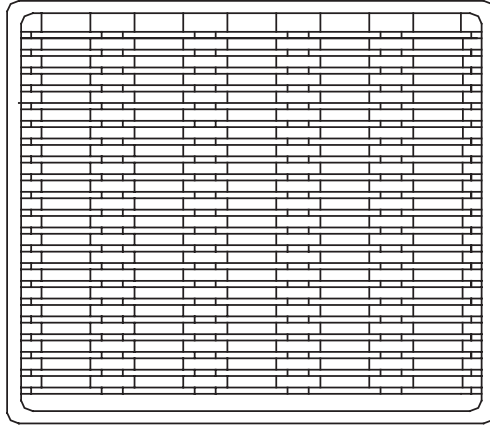
APPLICATION CIRCUIT



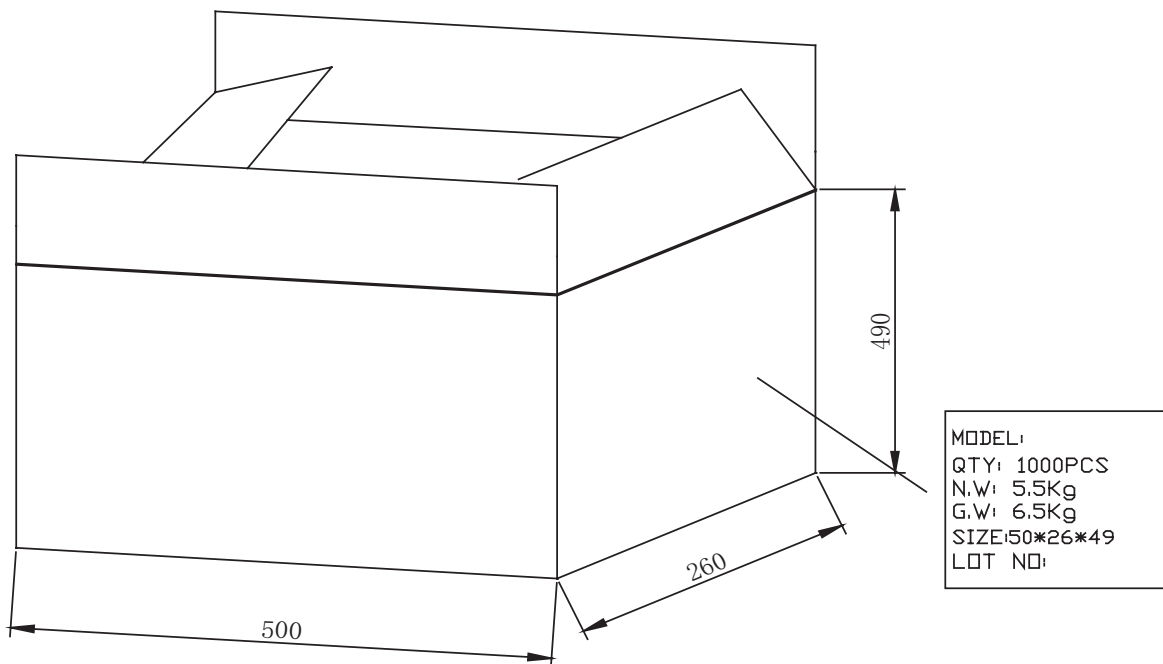
PACKAGING

units: mm

Carton Size: 500 x 260 x 490 mm
Carton QTY: 1,000 pcs per carton



Per tray 50 pcs.



Per box 1000 pcs.

REVISION HISTORY

| rev. | description | date |
|------|-----------------|------------|
| 1.0 | initial release | 01/08/2020 |

The revision history provided is for informational purposes only and is believed to be accurate.

CUI DEVICES

CUI Devices offers a one (1) year limited warranty. Complete warranty information is listed on our website.

CUI Devices reserves the right to make changes to the product at any time without notice. Information provided by CUI Devices is believed to be accurate and reliable. However, no responsibility is assumed by CUI Devices for its use, nor for any infringements of patents or other rights of third parties which may result from its use.

CUI Devices products are not authorized or warranted for use as critical components in equipment that requires an extremely high level of reliability. A critical component is any component of a life support device or system whose failure to perform can be reasonably expected to cause the failure of the life support device or system, or to affect its safety or effectiveness.