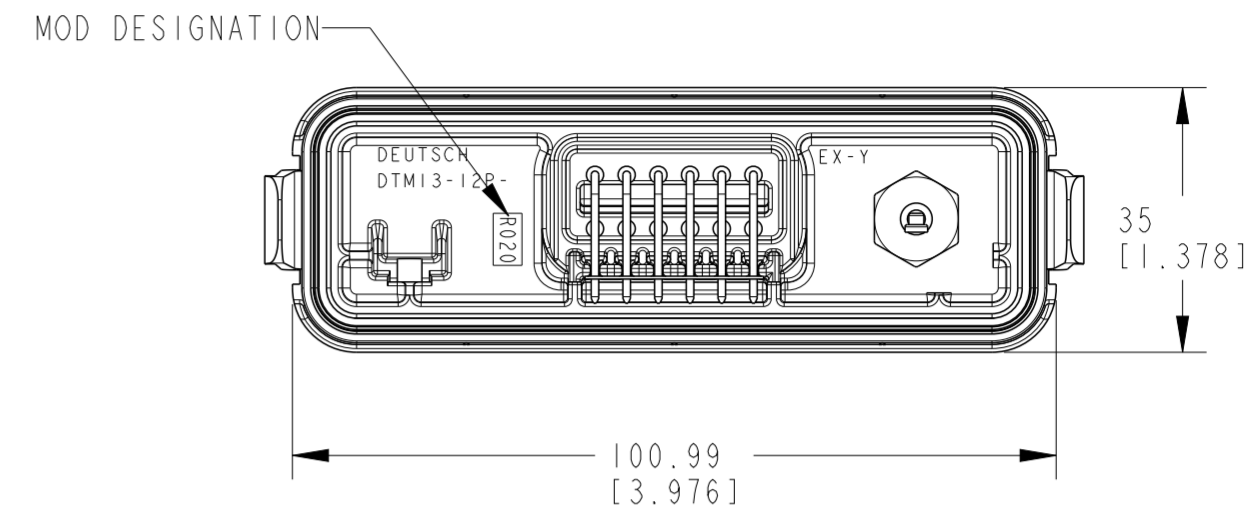
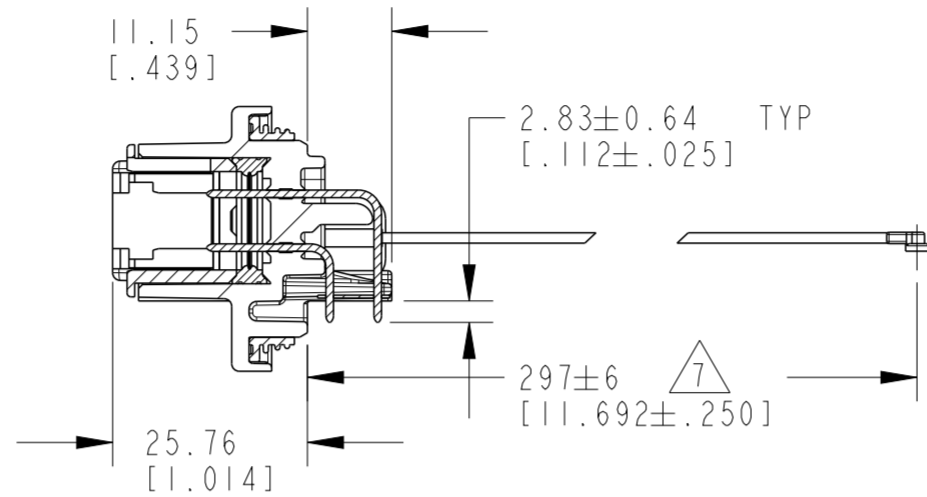
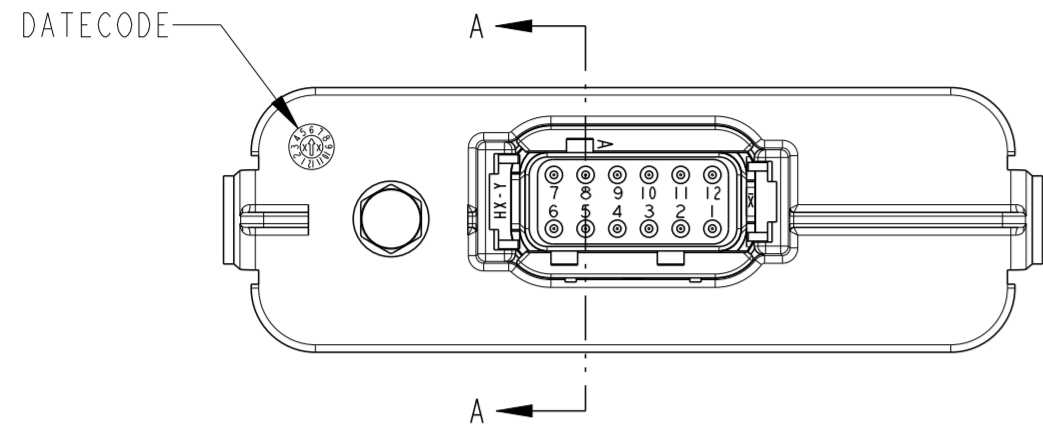
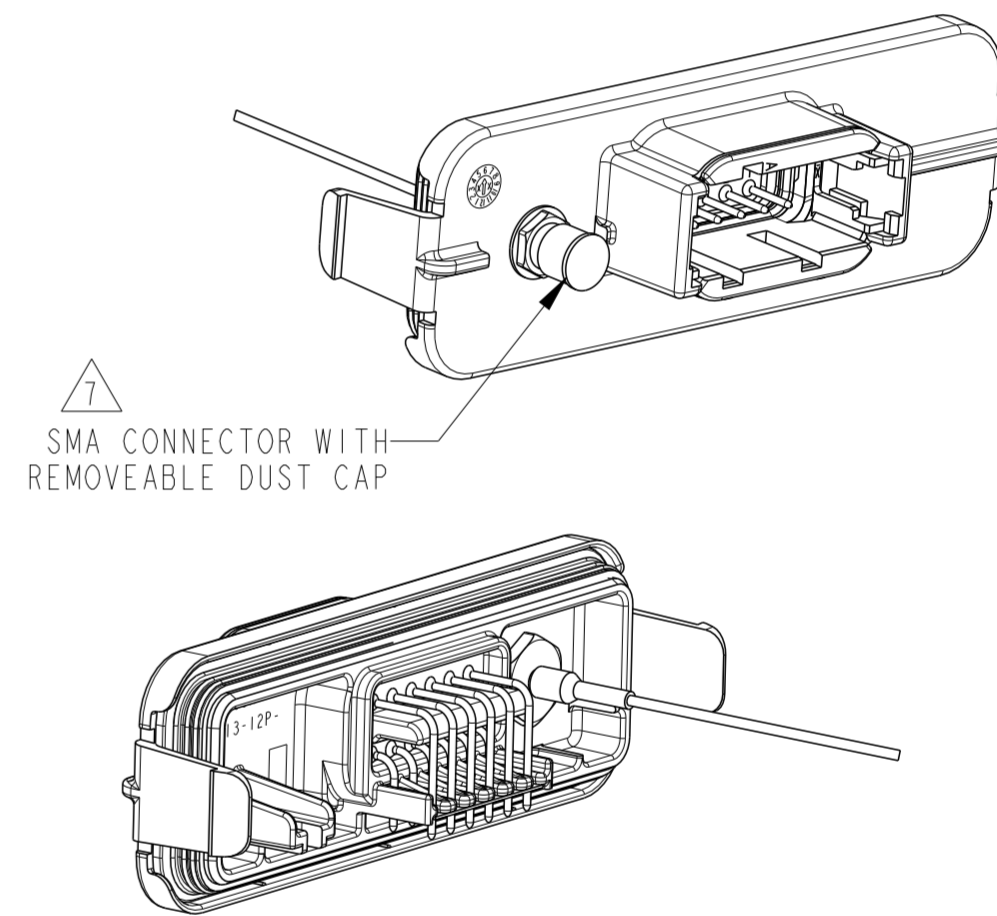
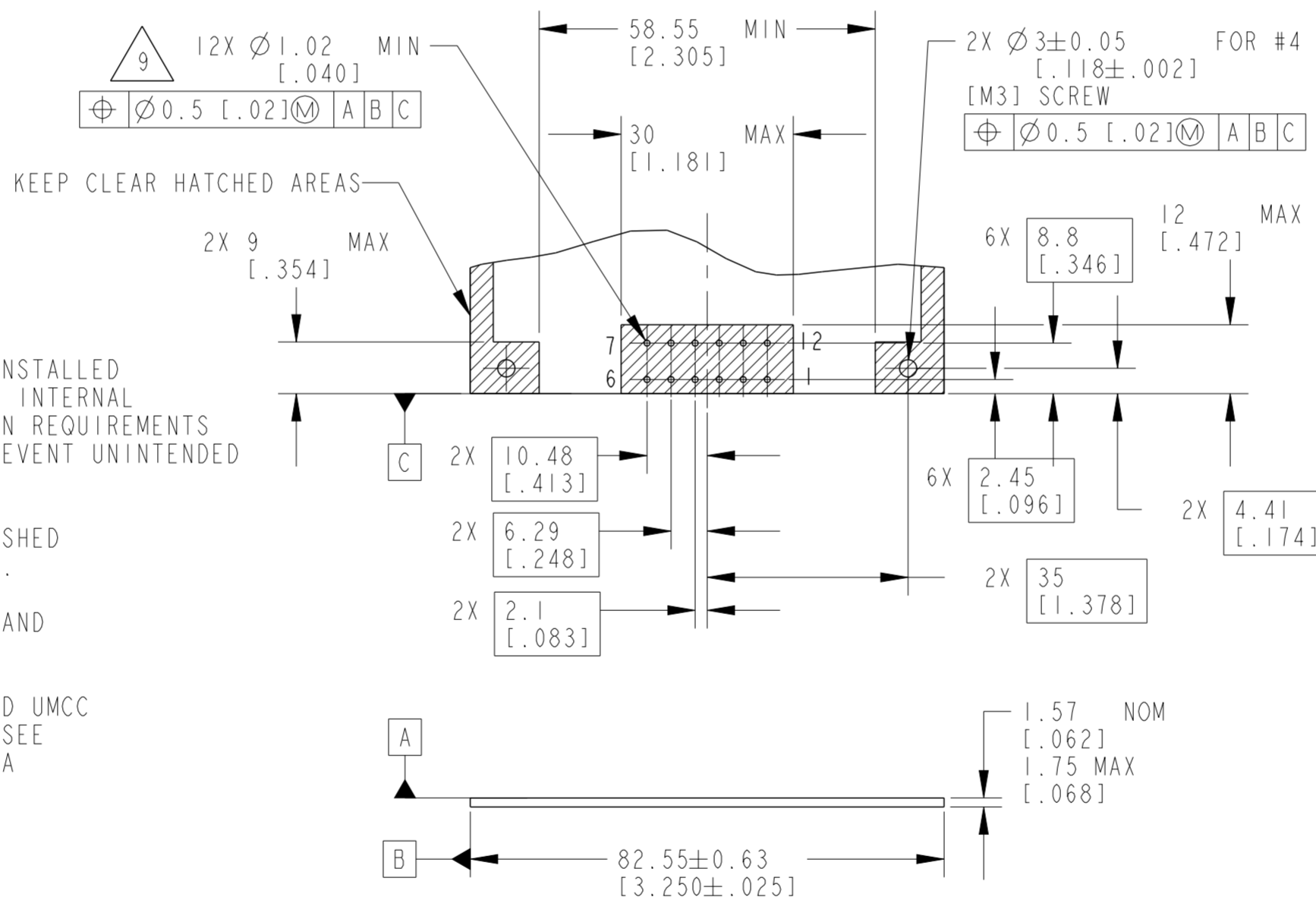
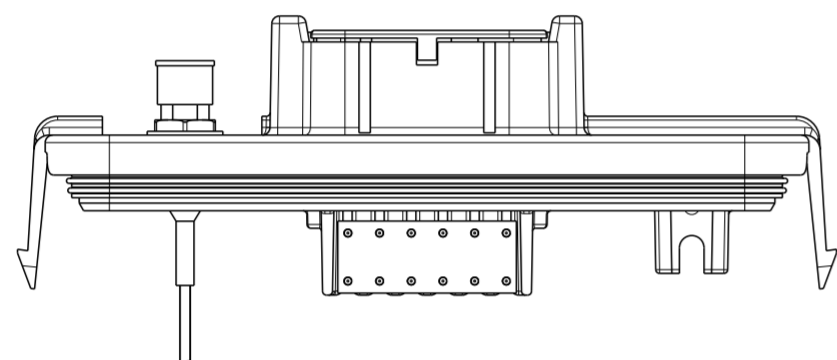


REVISIONS				
P	LTR	DESCRIPTION	DATE	DWN APVD
A1		REVISED PER PCN E-20-006830	12MAY2020	DB IG
A2		REVISED PER PCN E-20-009832	09JUL2020	DB IG
A3		REVISED PER PCN E-20-010705	28JUL2020	DB IG
A4		REVISED PER PCN E-21-000918	22JAN2021	DB IG



SECTION A-A



3D VIEWS

TCPN	ALIAS PART NUMBER
2333581-1	DTM13-12PA-R020
2333581-2	DTM13-12PB-R020
2333581-3	DTM13-12PC-R020
2333581-4	DTM13-12PD-R020

10. SEE PRODUCT SPEC 108-151090 FOR PERFORMANCE RATINGS. PERFORMANCE RATINGS MAY BE REDUCED WITH RESPECT TO THE INSTALLED SMA CONNECTOR. THE SMA PANEL NUT HAS BEEN TORQUED TO MEET INTERNAL PERFORMANCE RATINGS, HOWEVER CUSTOMER SPECIFIC APPLICATION REQUIREMENTS MAY REQUIRE ADDITIONAL PROCESSING AND/OR COMPONENTS TO PREVENT UNINTENDED LOOSENING OF THE PANEL NUT AND REDUCED SEAL PERFORMANCE.

9. MINIMUM RECOMMENDED HOLE SIZE. CUSTOMER TO DETERMINE FINISHED HOLE SIZE BASED ON SOLDER PROCESS, THRU-HOLE PLATING, ETC.

8. SEE DRAWING EEC-325X4A/B FOR FULL PCB SIZE SPECIFICATION AND COMPONENT HEIGHT RESTRICTIONS.

7. SMA CONNECTOR INCLUDES 297±6 mm [11.692±.250 in] CABLE AND UMCC CONNECTOR APPLIED TO END OF CABLE FOR CONNECTION TO PCB. SEE DRAWING 2016457 FOR FULL SMA CONNECTOR SPECIFICATIONS. SMA CONNECTOR IS SUPPLIED WITH REMOVEABLE DUST CAP.

6. SEE SHEET 2 FOR OTHER KEY ARRANGEMENTS.

5. THIS RECEPTACLE IS USED WITH EEC-325X4(A OR B) ENCLOSURE. SEE ENVELOPE DRAWING EEC-325X4A/EEC-325X4B FOR ENCLOSURE INFORMATION.

4. THIS RECEPTACLE MATES WITH DTM06-12S*-**** PLUG. (* = A,B,C,D KEYS; **** = ALL MODIFICATIONS).

3. MATERIAL: HOUSING: PA46 GF30 BLACK; SEALS: SILICONE RUBBER; CONTACTS: COPPER ALLOY.

2. CONTACT PLATING: MATING SIDE: NICKEL; PCB SIDE: TIN.

1. DIMENSIONS ARE IN MILLIMETERS [IN].

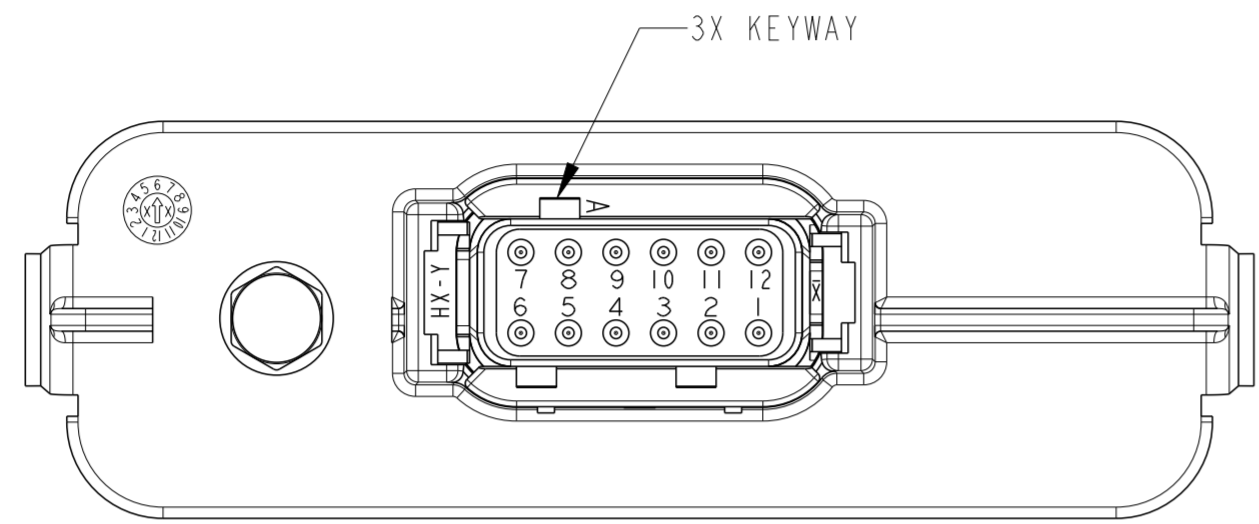
NOTES: UNLESS OTHERWISE SPECIFIED

PCB FOOTPRINT AND KEEP CLEAR AREAS

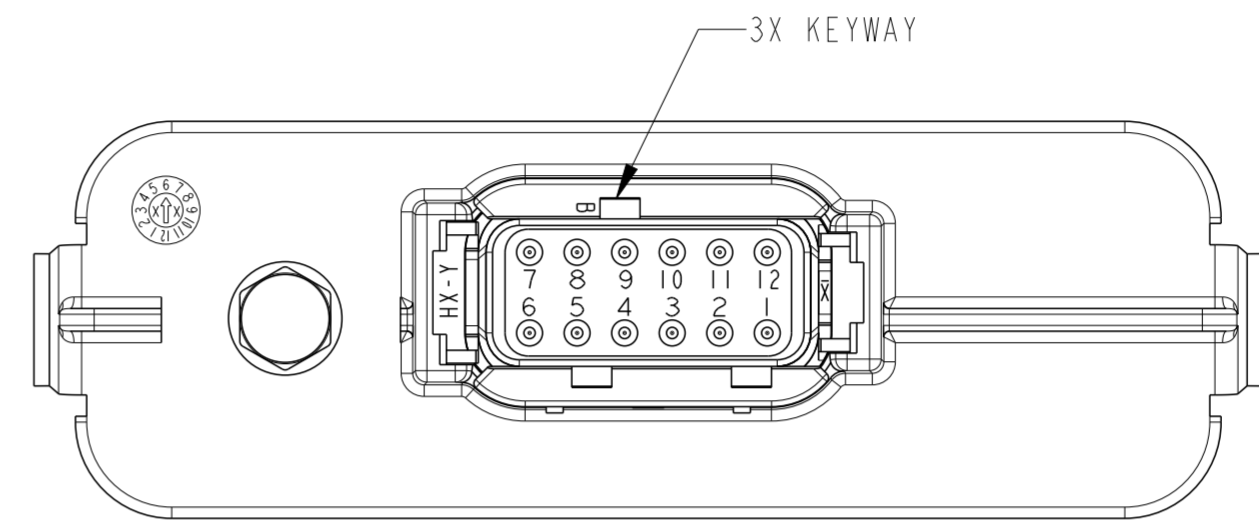
THIS DRAWING IS A CONTROLLED DOCUMENT.		DWN K. McKEE 23MAR2018	TE Connectivity	
DIMENSIONS: mm [in]		CHK K. McKEE 20AUG2018		
TOLERANCES UNLESS OTHERWISE SPECIFIED:		APVD D. MEYER 20AUG2018	NAME RECEPTACLE HEADER 12 POS, #20 SIZE CONTACT R020 MOD, DTM SERIES	
0 PLC ±		PRODUCT SPEC 10	SIZE A2	
1 PLC ±		APPLICATION SPEC	CAGE CODE 4AFU8	DRAWING NO DTM13-12PX-R020
2 PLC ±0.25 [.010]		WEIGHT 47.5	RESTRICTED TO	
3 PLC ±		CUSTOMER DRAWING	SCALE 1:1	SHEET 1 OF 2
4 PLC ±			REV A4	
ANGLES ±0°30'0"				
FINISH				

THIS DRAWING IS UNPUBLISHED. RELEASED FOR PUBLICATION 20
 © COPYRIGHT20 BY TE Connectivity ALL RIGHTS RESERVED.

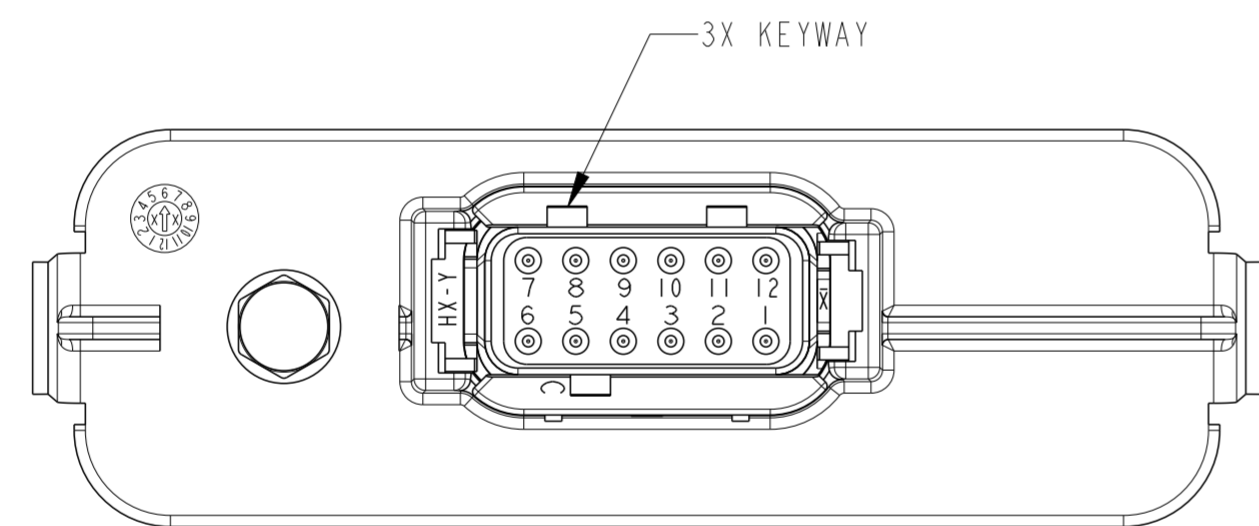
REVISIONS				
P	LTR	DESCRIPTION	DATE	APVD
-		SEE SHEET 1	-	-



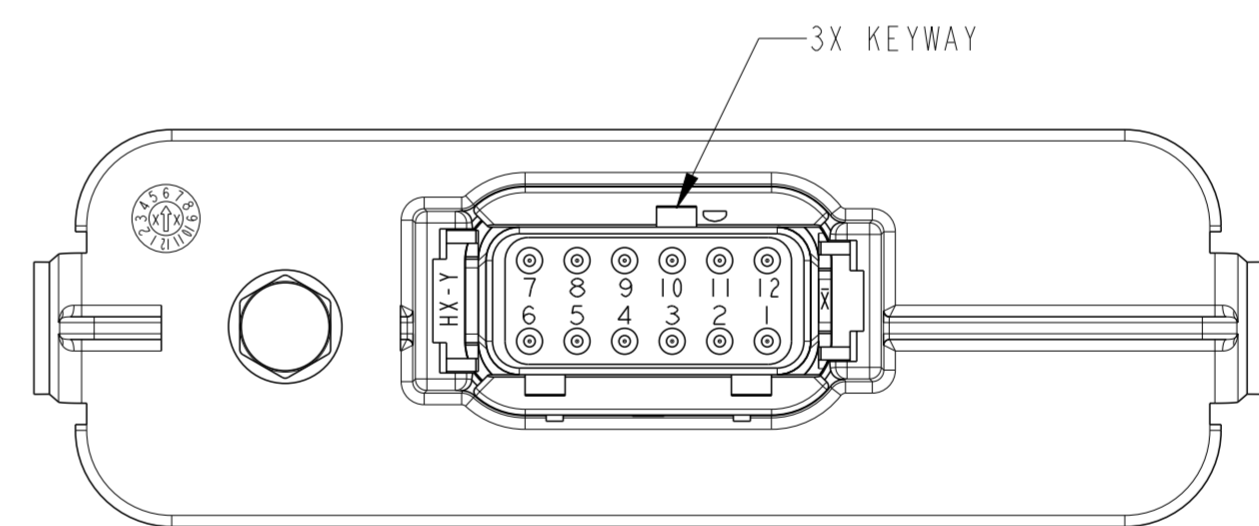
DTM13-12PA-R020
KEY -A-
SLEEVE COLOR: GREY



DTM13-12PB-R020
KEY -B-
SLEEVE COLOR: BLACK



DTM13-12PC-R020
KEY -C-
SLEEVE COLOR: GREEN



DTM13-12PD-R020
KEY -D-
SLEEVE COLOR: BROWN

THIS DRAWING IS A CONTROLLED DOCUMENT.		DWN K. McKEE 23MAR2018	STE TE Connectivity	
DIMENSIONS: mm [in]		CHK K. McKEE 20AUG2018		
TOLERANCES UNLESS OTHERWISE SPECIFIED:		APVD D. MEYER 20AUG2018	NAME RECEPTACLE HEADER 12 POS, #20 SIZE CONTACT R020 MOD, DTM SERIES	
0 PLC ± 1 PLC ± 2 PLC ±0.25 [0.010] 3 PLC ± 4 PLC ± ANGLES ±0°30'0"		PRODUCT SPEC	SIZE CAGE CODE DRAWING NO A2 4AFU8 C=DTM13-12PX-R020	
MATERIAL FINISH		APPLICATION SPEC	RESTRICTED TO	
		WEIGHT 47.5	SCALE 1:1 SHEET 2 OF 2 REV A4	
		CUSTOMER DRAWING		