

8 **7** **6** **5** **4** **3** **2** **1**

THIS DRAWING IS THE PROPERTY OF ANALOG DEVICES INC. IT IS NOT TO BE REPRODUCED OR COPIED, IN WHOLE OR IN PART, OR USED IN FURNISHING INFORMATION TO OTHERS, OR FOR ANY OTHER PURPOSE DETRIMENTAL TO THE INTERESTS OF ANALOG DEVICES. THE EQUIPMENT SHOWN HEREON MAY BE PROTECTED BY PATENTS OWNED OR CONTROLLED BY ANALOG DEVICES.

RELAY CONTROL CHART

CONTROL	CODE	DEVICE	FUNCTION	CONNECTOR

JUMPER TABLE		
JP#	ON	OFF
1		
2		
3		
4		
5		

* SEE ASSEMBLY INSTRUCTIONS

REVISIONS			
REV	DESCRIPTION	DATE	APPROVED
A	INITIAL RELEASE	MAY-2016	B. BUSHEY
B	AS PER ECR-066973	JAN-2017	B. BUSHEY

SIZE OF THE BOARD SHOULD BE 0.8 INCHES IN WIDTH

PMOD CONNECTOR SHOULD BE POPULATED ON THE TOP SIDE OF THE BOARD

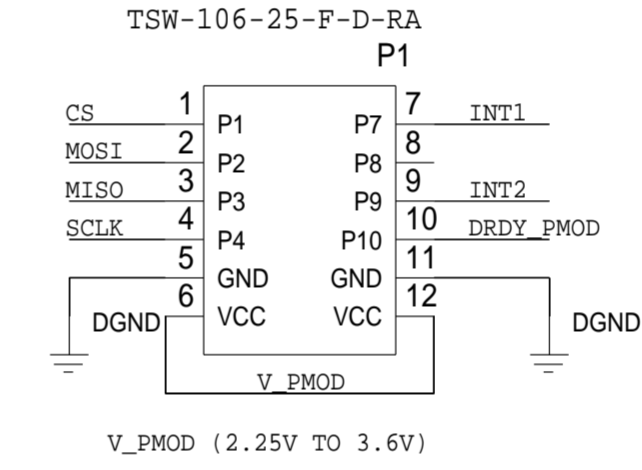
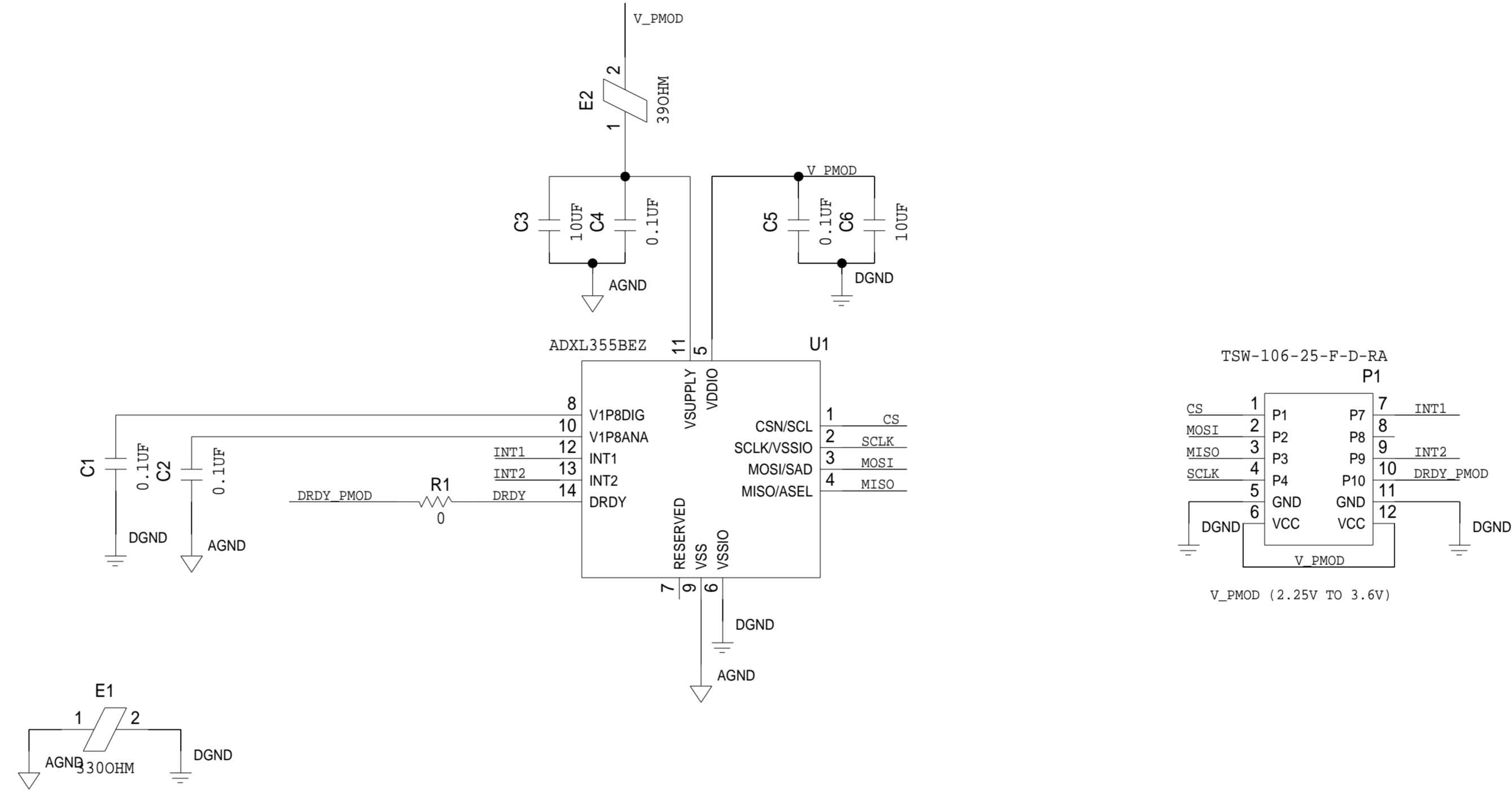
VSUPPLY AND VDDIO ARE THE SAME ON THIS BOARD

PLACE DECOUPLING CAPACITORS AS CLOSE TO VSUPPLY AND VDDIO AS POSSIBLE

P.O SPEC.	BK/BD SPEC.	SOCKET OEM	OEM PART#	HANDLER

TEMPLATE ENGINEER N/A	DATE	SCHEMATIC		
HARDWARE SERVICES R. MACDONALD	MAY-2016			
HARDWARE SYSTEMS N/A		HW TYPE : Customer Evaluation Z		
TEST ENGINEER N/A		Product(s): ADXL355 : N/A		
COMPONENT ENGINEER G. CELEDONIO	MAY-2016	PACKAGE : N/A-lead N/A N/A-family : Pitch-pitch StyleVendor Style		
TEST PROCESS N/A		<User Define>		
HARDWARE RELEASE R. AMARILLE	MAY-2016	<User Define>		
DESIGNER M. JOSE	MAY-2016	MASTER PROJECT TEMPLATE TBD	TESTER TEMPLATE no_template	DRAWING NO.
PTD ENGINEER B. BUSHEY	MAY-2016	<small>UNLESS OTHERWISE SPECIFIED DIMENSIONS ARE IN INCHES</small> TOLERANCES DECIMALS FRACTIONS ANGLES X.XX +0.010 +1/32 +2 X.XXX +0.005		02_043217
CHECKER N/A				SIZE D
			SHEET 1 OF 2	

REVISIONS			
REV	DESCRIPTION	DATE	APPROVED



	SCHEMATIC		
	HW TYPE : Customer Evaluation Z Product(s): ADXL355 : N/A		
	DESIGN VIEW <DESIGN_VIEW>	DRAWING NO. 02_043217	REV B
PTD ENGINEER B. BUSHEY	SIZE D	SCALE 1:1	SHEET 2 OF 2

