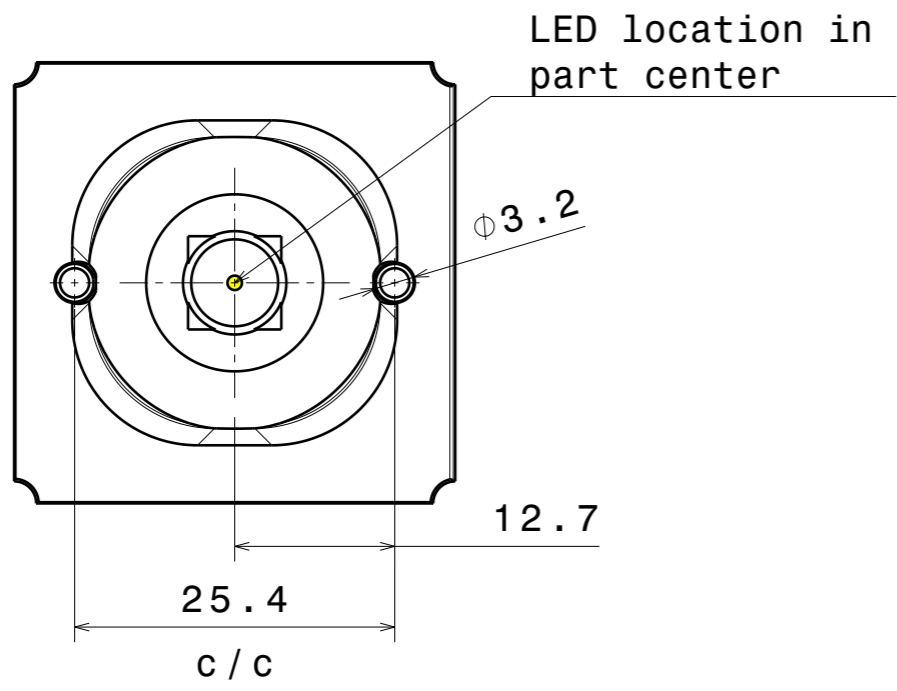
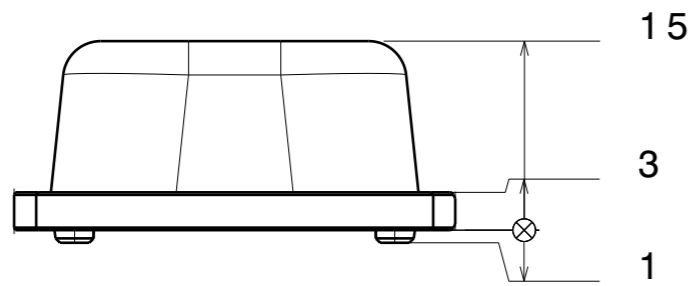


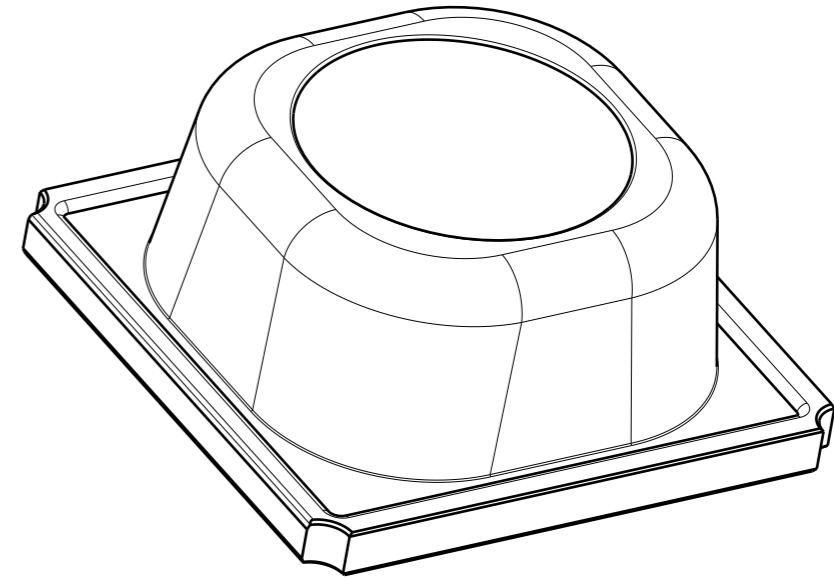
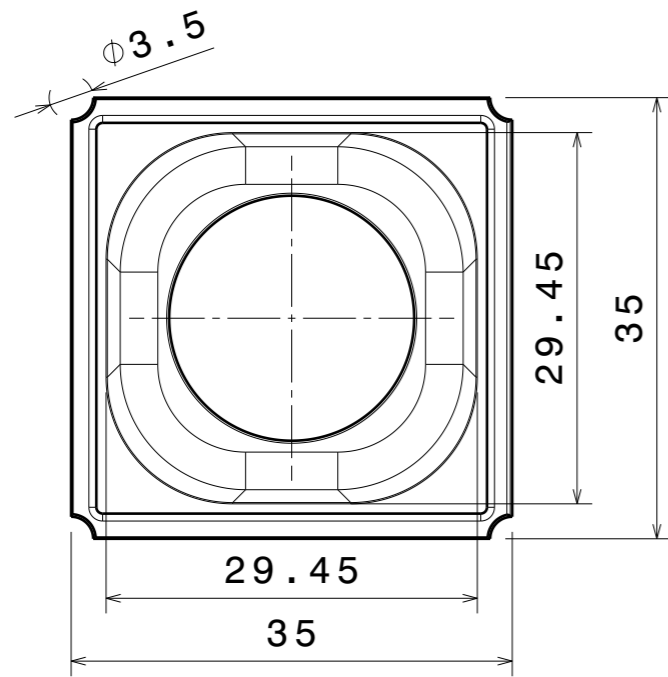
Bottom view



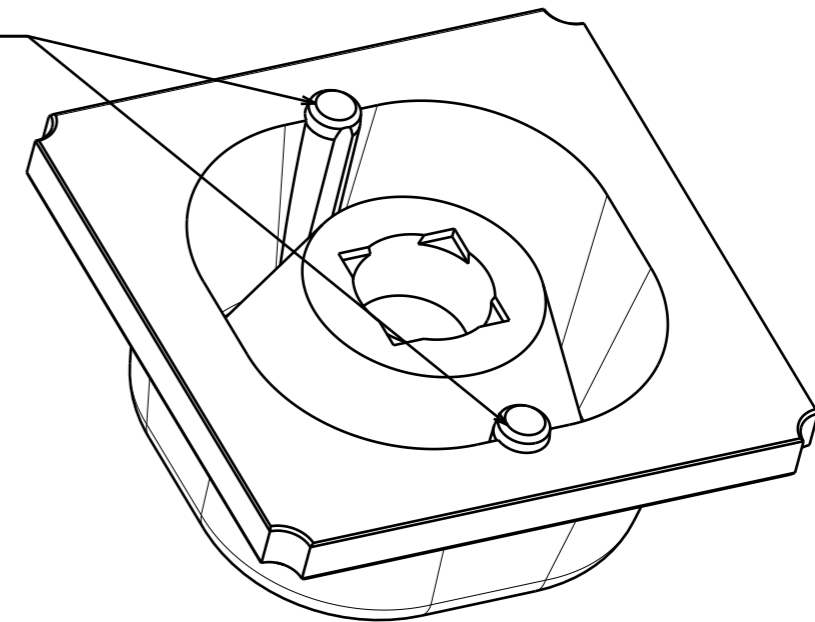
Front view



Top view



Position pins



Isometric view

INDEX	PART NO	DESCRIPTION	MATERIAL	COLOUR
1	F15539	JENNY-40	Silicone	Clear

Tolerances if not otherwise shown
 According to DIN ISO 2768-1
 Linear measures:
 Up to 30mm class M, otherwise class C.
 According to DIN ISO 2768-2
 Form and position: class L



LediL Oy
 Salorankatu 10
 FIN 24240 SALO
 Finland

THIRD ANGLE PROJECTION:

DRAWING TITLE

DATASHEET

This drawing is the property
 of LEDiL Oy. It may not be
 reproduced, copied or
 communicated without a written
 agreement with LEDiL Oy.

SIZE
A3

PART NUMBER
F15539 JENNY-40

SCALE

WEIGHT

SHEET 1/1