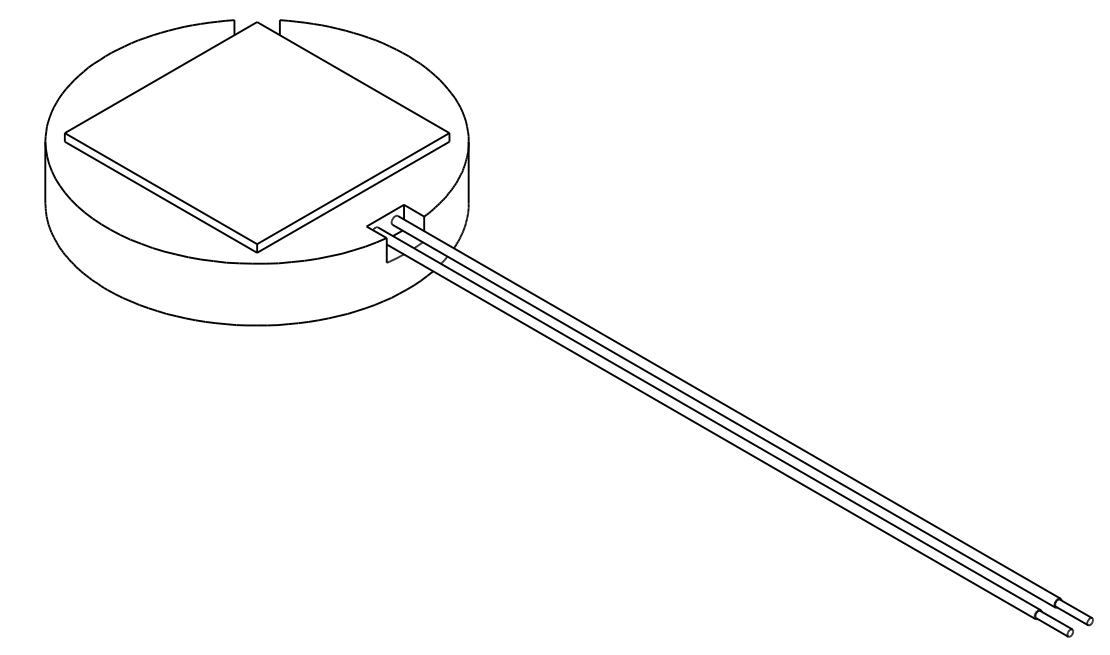
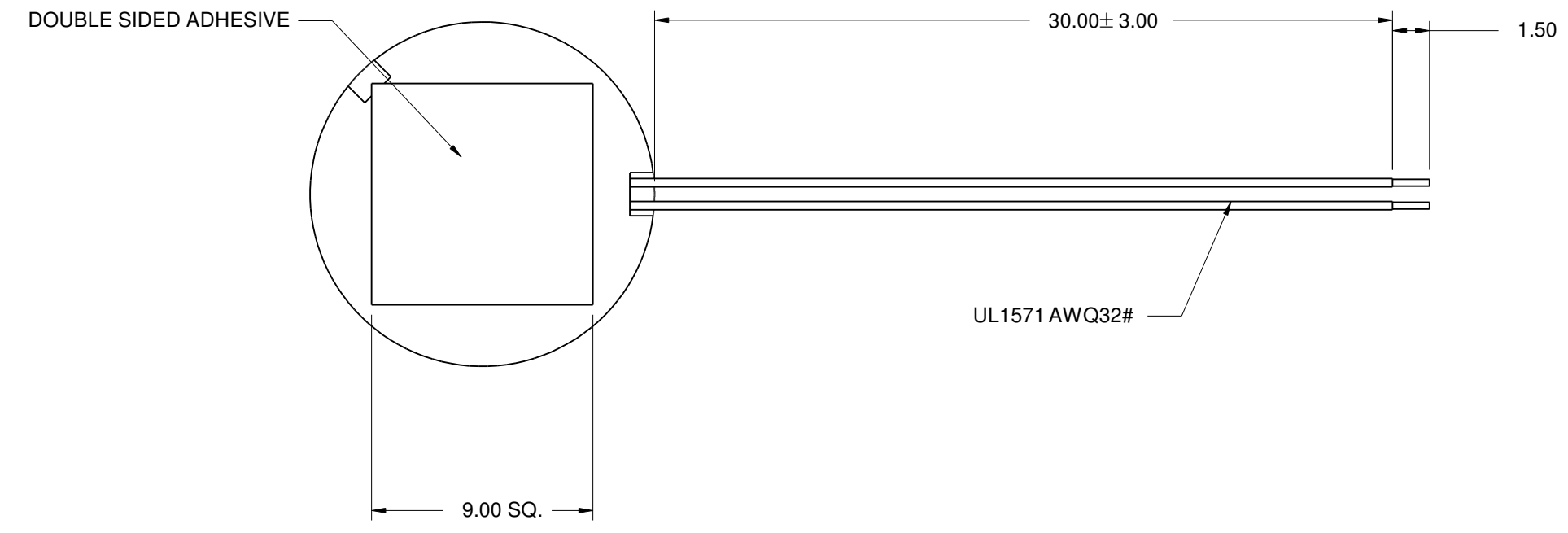
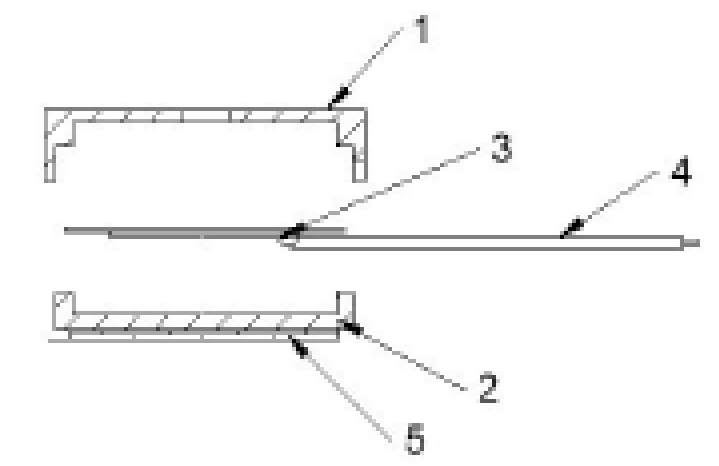
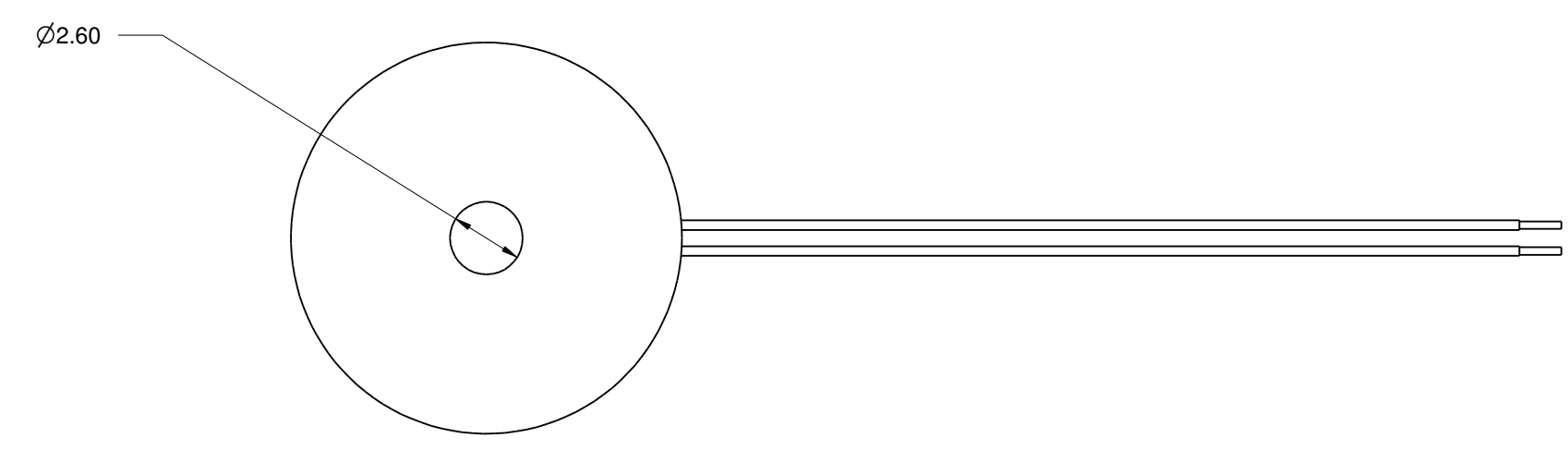
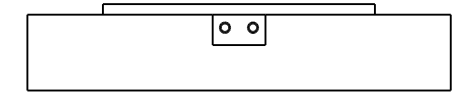
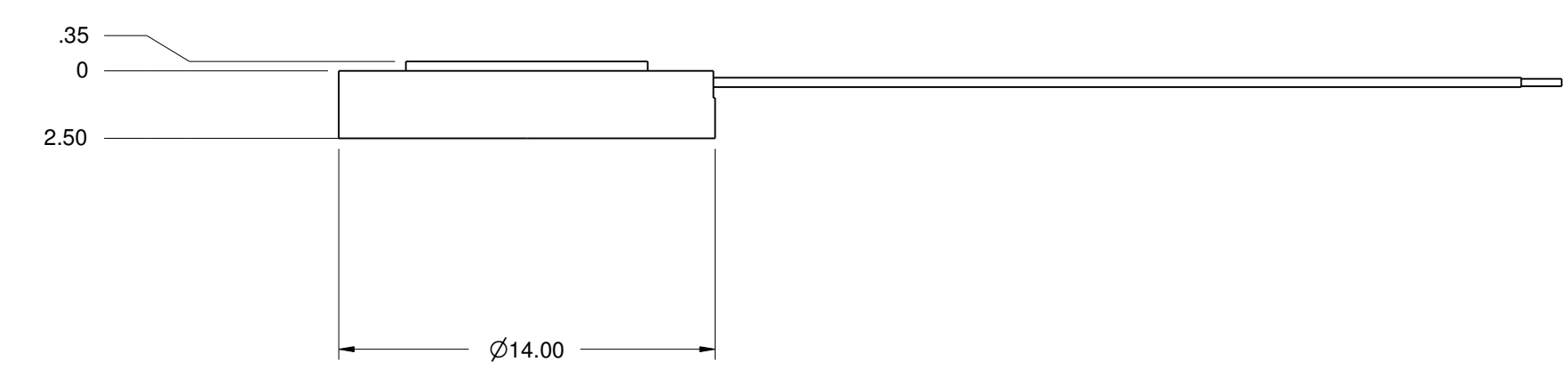


REVISIONS				
ZONE	REV	DESCRIPTION	DATE	APPROVED



No.	Part Name	Material	Quantity
1	Case	ABS	1
2	Case	ABS	1
3	Piezo	Copper + ceramics	1
4	Wire (38mm)	UL1571/ AWG32#	2
5	Double Faced Adhesive Tape	AcR+Off type paper	1



ALL TOLERANCES +/- .5MM UNLESS NOTED



SIZE	FSCM NO.	DWG NO.	REV
D		PT-1403	
SCALE	1:1	SHEET	1 OF 1