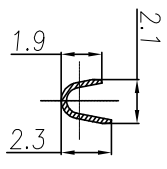


CONTACT ORIENTATION ON ROLL

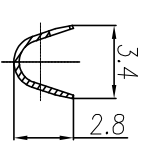
NOTES: (UNLESS OTHERWISE SPECIFIED)

1. MATERIAL:
 - 1.1. CONTACT BODY: COPPER ALLOY.
 - 1.2. OUTER SPRING: STAINLESS STEEL.
2. SPECIFICATIONS:
 - 2.1 CURRENT RATING: 5A MAX.
 - 2.2 TERMINATION TYPE: CRIMPING.
 - 2.3 WIRE RANGE: 22-20AWG.
 - 2.4 WIRE INSULATION DIA(MAX): Ø2.6mm.
3. ROHS COMPLIANT.
4. ALL DIMENSIONS ARE FOR REFERENCE USE ONLY.
5. AVAILABLE TOOLS:
 - 5.1 HAND CRIMPER: MFX-3958 (B2)
 - 5.2 CRIMP APPLICATOR: MFX-3957.
 - 5.3 EXTRACTION TOOL: QXRT20.

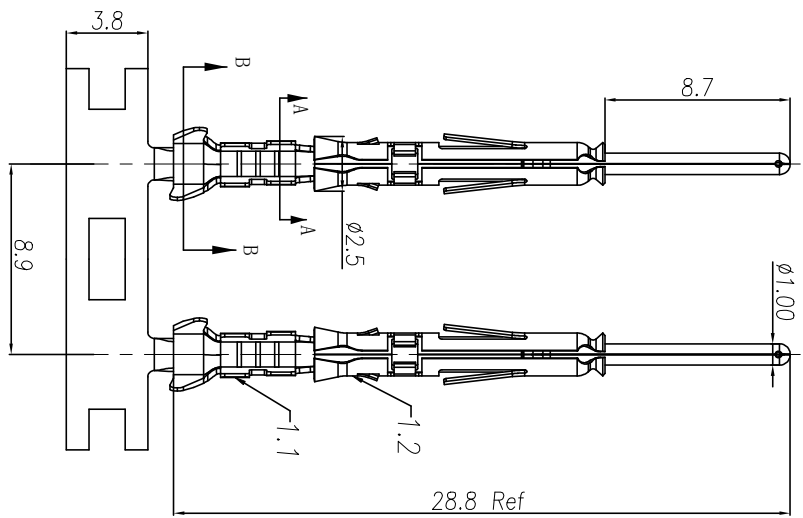
P/N	CONTACT PLATING(MATING AREA)
SP20W1T	TIN PLATING OVER NICKEL.
SP20W1F	GOLD FLASH PLATING OVER NICKEL.
SP20W1G10	10µ" GOLD PLATING OVER NICKEL.
SP20W1G15	15µ" GOLD PLATING OVER NICKEL.
SP20W1G30	30µ" GOLD PLATING OVER NICKEL.



SECTION A-A



SECTION B-B



REVISIONS					
REV	ECO	DESCRIPTION	DATE	BY	APPR
B1	-	RELEASED DRAWING	JAN-18-2014	ARROW	TOMMY
B2	-	CHANGE HAND CRIMPER	Nov-8-19	Flan	Tommy

QUANTITY	PART NUMBER	DESCRIPTION	ITEM

MATERIALS LIST

SIGNATURES	DATE
DRAWN: Ril	Nov-8-19
CHECKED: MWh	Nov-8-19
ENGINEER: Tommy	Nov-8-19
APPROVE: Tommy	Nov-8-19

UNLESS OTHERWISE SPECIFIED	
1) All dimensions are in millimeters.	
2) Tolerances are as follows:	
1 Pt. DEC 0.030	Fractions 1/16"
3 Pt. DEC 0.015	Decimal 0.015"
3) Note reference =	
MATERIAL SPECIFICATIONS	
CUSTOMER: Tommy	Nov-8-19
PROCESS SPECIFICATIONS	
NEXT ASBY:	

ECO-MATE PIN CONTACT	SCALE: NONE	SHEET: 1 OF 1
STAMPED: 20-22AWG, SIZE 20	SIZE: B	TYPE: C-
	DWG NO: SP20W1XX	REVISION: B2

Amphenol

Sine Systems - www.amphenol-sine.com
44724 Montley Drive
Clinton Township, MI 48038