

W12M-

| SWITCH FUNCTION CODE | SWITCH FUNCTION DESCRIPTION |
|----------------------|-----------------------------|
| A                    | MOMENTARY,WIRELEADS         |
| B                    | MAINTAIN,WIRELEADS          |
| E                    | MOMENTARY,SOLDER TERMINAL   |
| F                    | MAINTAIN,SOLDER TERMINAL    |
| G                    | MOMENTARY,P.C. TERMINAL     |
| H                    | MAINTAIN,P.C. TERMINAL      |

| HOUSING MATERIAL CODE | HOUSING DESCRIPTION              |
|-----------------------|----------------------------------|
| 1                     | STAINLESS STEEL, NATURAL         |
| 2                     | ZINC ALLOY, VELOUR CHROME PLATED |
| K                     | ALUMINUM ANODIZED BLACK          |
| R                     | ALUMINUM ANODIZED RED            |
| S                     | ALUMINUM, ANODIZED SILVER        |

| BUTTON COLOR CODE | BUTTON COLOR DESCRIPTION |
|-------------------|--------------------------|
| 1                 | STAINLESS STEEL, NATURAL |

| BUTTON TYPE CODE | BUTTON TYPE DESCRIPTION                |
|------------------|--|
| 2                | FLAT BUTTON ,RING (ONLY FOR MOMENTARY) |
| H                | RAISED BUTTON ,RING                    |

| LED COLOR CODE | LED COLOR |
|----------------|-----------|
| N              | NONE      |
| R              | RED       |
| A              | AMBER     |
| Y              | YELLOW    |
| B              | BLUE      |
| G              | GREEN     |
| W              | WHITE     |
| RB             | RED/BLUE  |
| RG             | RED/GREEN |

| LED INLET VOLTAGE CODE |          | LED INLET VOLTAGE        |
|------------------------|----------|--------------------------|
| NON-WIRELEADS          | IF BLANK | FOLLOW LED SPECIFICATION |
|                        | 05       | 5V (SEE NOTE 4)          |
| WIRELEADS              | IF BLANK | FOLLOW LED SPECIFICATION |
|                        | 05       | 5V(SEE NOTE 4)           |
|                        | 12       | 12V                      |
|                        | 24       | 24V                      |

**MECHANICAL CHARACTERISTICS:**

SWITCH CIRCUITRY: SPST-NO-DB (CONTACT FORM X)  
 SWITCH ACTION: MOMENTARY/MAINTAINED (PER CHART)  
 BUTTON TRAVEL: 2.4mm [.094 INCH]NOMINAL  
 OPERATING FORCE: 2N [204g] NOMINAL  
 PANEL THICKNESS: 1.0 - 6.0mm [.039 - .236 ]  
 SWITCH CONTACTS: GOLD PLATED  
 NUT TORQUE FORCE: MAX 6 kgf-cm [5.2 LB-in]

**ENVIROMENTAL SPECIFICATIONS:**

ACTUATOR INGRESS PROTECTION: IP67  
 OPERATING TEMPERATURE:  
 MOMENTARY: -40°C to +85°C [-40°F to +185°F]  
 MAINTAINED : -40°C to +65°C [-40°F to +149°F]

**ELECTRICAL LIFE:**

MOMENTARY: 10mA@12VDC, 1,000K CYCLES NOMINAL  
 MAINTAINED : 10mA@12VDC, 50K CYCLES NOMINAL

**ELECTRICAL SPECIFICATIONS:**

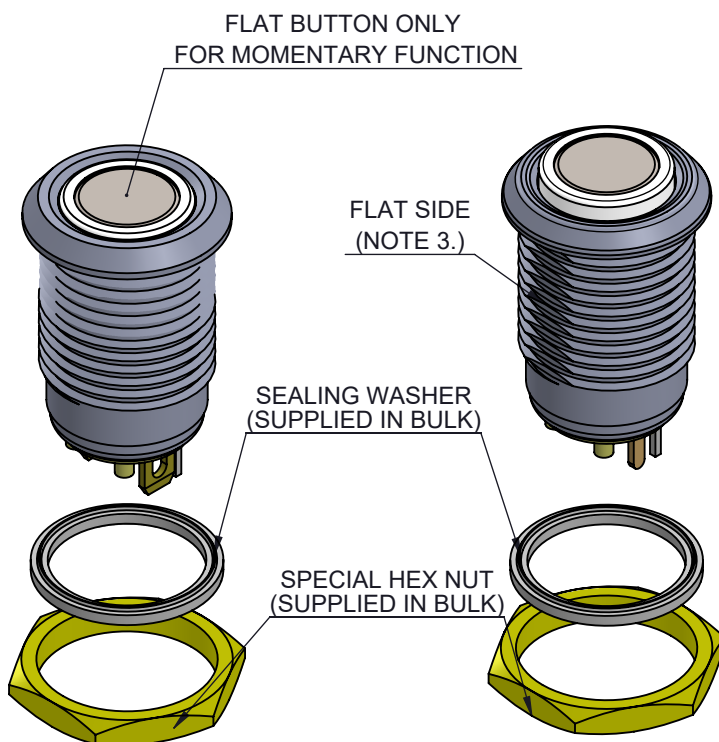
DIELECTRIC STRENGTH: 1,000VAC  
 INSULATION RESISTANCE: 1G OHM  
 CONTACT RESISTANCE:  
 50m/250m OHMS MAX INITIAL(NON-WIRELEADS/WIRELEADS)

**LED SPECIFICATIONS:**

SEE LED SPECIFICATION

**NOTE**

- CURRENT LIMITING RESISTOR IS REQUIRED TO LIMIT LED FORWARD CURRENT TO 20mA.
- SUPPLY HEX NUT AND SEALING WASHER ARE BULK PACKED.
- ONLY ZINC ALLOY HOUSING TYPE HAVE FLAT SIDE.
- INNER RESISTOR ONLY FOR LED :RED / BLUE / GREEN / WHITE

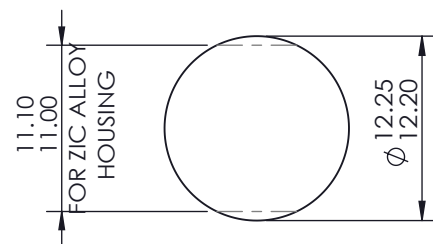
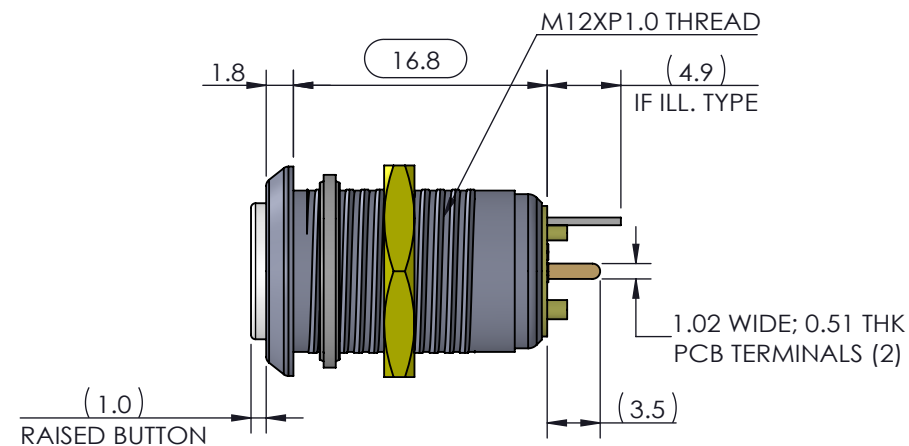
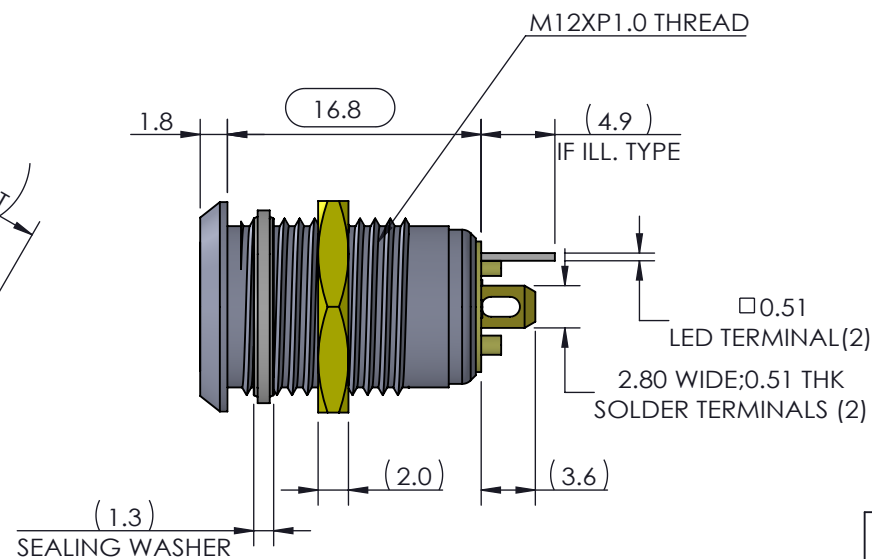
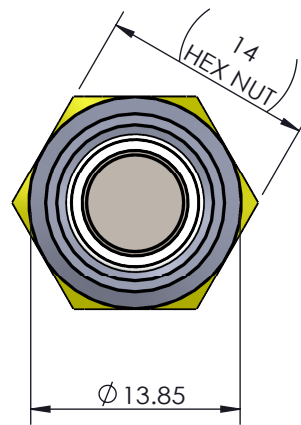


| LED SPECIFICATION |                  |         |                        |           |           |
|-------------------|------------------|---------|------------------------|-----------|-----------|
| LED CODE          | LED SINGLE COLOR | Vf(VDC) | If (mA)                | CIRCUITRY |           |
|                   |                  | TYP.    |                        |           |           |
| R                 | RED              | 2.0     | 20                     |           |           |
| A                 | AMBER            | 2.0     | 20                     |           |           |
| Y                 | YELLOW           | 2.0     | 20                     |           |           |
| G                 | GREEN            | 3.0     | 20                     |           |           |
| B                 | BLUE             | 3.1     | 20                     |           |           |
| W                 | WHITE            | 3.3     | 20                     |           |           |
| LED CODE          | BICOLOR LED      |         | Vf(VDC)                | If (mA)   | CIRCUITRY |
|                   | COLOR1           | COLOR2  | TYP.                   |           |           |
| RB                | RED              | BLUE    | 2.0(RED)<br>3.3(BLUE)  | 20        |           |
| RG                | RED              | GREEN   | 2.0(RED)<br>3.4(GREEN) | 20        |           |

Notes:  
 Hand Soldering Temperature (4mm above from Body) : 320°C for 3 seconds

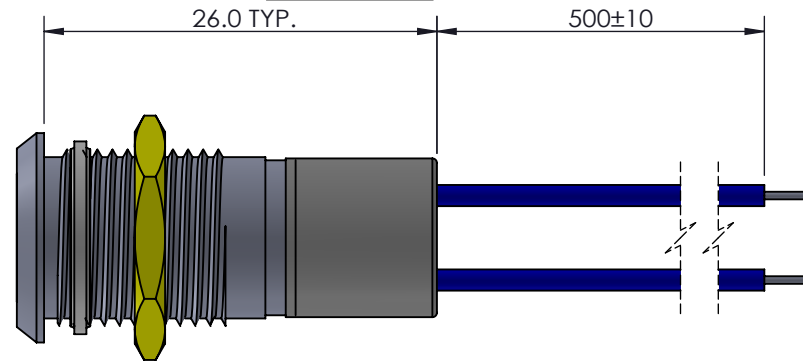
| WIRELEADS SPECIFICATION |                         |             |      |     |       |
|-------------------------|-------------------------|-------------|------|-----|-------|
| WIRELEADS TYPE          | WIRELEADS SPECIFICATION | SW TERMINAL |      | LED |       |
|                         |                         | /           | O    | +   | -     |
| ILLUMINATION            | AWG26 / UL1007          | BLUE        | BLUE | RED | BLACK |
| NON-ILLUMINATION        |                         | BLUE        | BLUE | --  | --    |

|  |                      |  |   |                            |             |  |            |              |          |                |              |
|--|----------------------|--|---|----------------------------|-------------|--|------------|--------------|----------|----------------|--------------|
| DWG TYPE<br>SALES DRAWING  | DRAWN<br><i>K.Y.</i> | TOLERANCES:<br>UNLESS OTHERWISE NOTED<br>X.X ± 0.5<br>X.XX ± 0.2<br>ANGULAR ± 1° | DWG TITLE<br>W12M-MECHANICAL<br>MOMENTARY/MAINTAINED,<br>SOLD./P.C. TERMINAL,<br>WIRELEADS, RING ILLUMINATION |                            |             |  |            |              |          |                |              |
| STATUS<br>RELEASE  | REVIEW               |  | DWG NO.<br>W12M-A,B,E,F,G,H   |                            |             |  |            |              |          |                |              |
| <small>This document is the intellectual property of ITW Electronic Business Asia Co., Limited and may contain confidential, proprietary, privileged information protected by law. Neither this document nor any information it contains can be reproduced, transformed to any other format, or distributed, without written permission by ITW Electronic Business Asia Co., Limited.<br/>                 本文件為安泰維百電股份有限公司之智慧財產，非經許可不得翻取、複製、轉變成其他形式使用或散佈</small> |                      |  | APPROVED<br><i>v.w.</i>   | THIRD ANGLE PROJECTION<br> | REF:<br>--- | <input checked="" type="checkbox"/> 管制文件<br><input type="checkbox"/> 非管制文件 | Unit<br>mm | SCALE<br>2:1 | REV<br>5 | RoHS Compliant | SHEET 1 OF 3 |

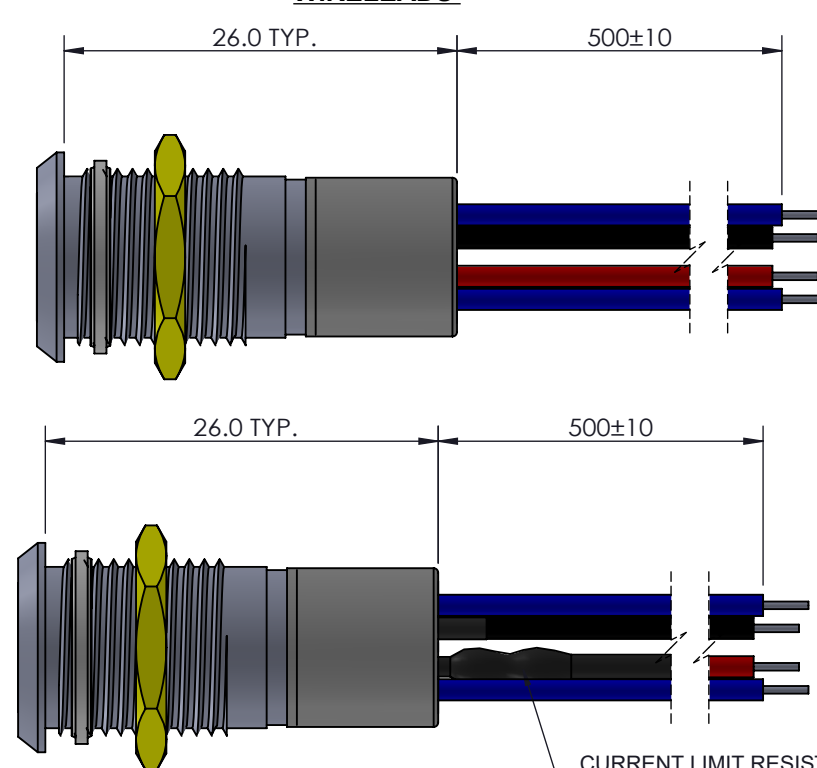


**RECOMMENDED  
PANEL CUT-OUT**

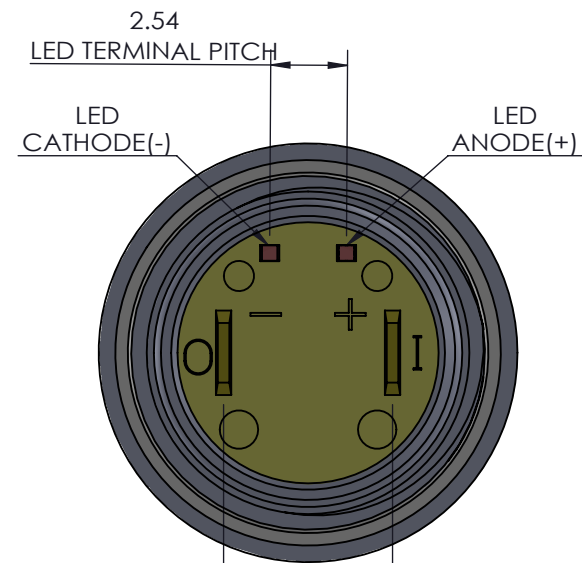
**NONE ILLUMINATION  
WIRELEADS**



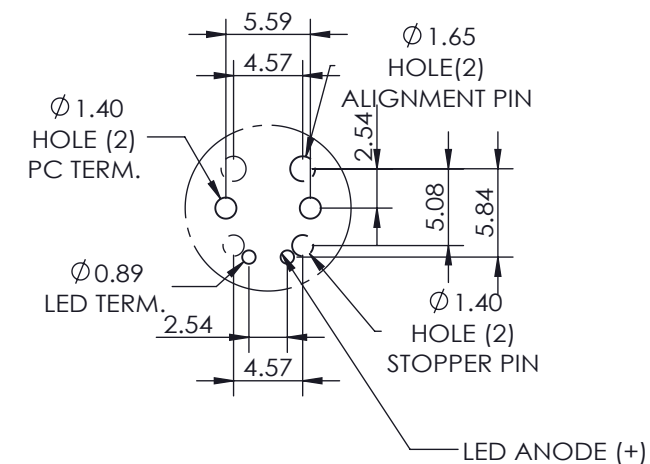
**ILLUMINATION  
WIRELEADS**



CURRENT LIMIT RESISTOR ONLY FOR:  
1.5 VDC REQUIRES ONE EXTERNAL  
RESISTOR: A/Y/RB/RG LED SUPPLY  
2. 12 VDC, 24 VDC LED SUPPLY



(5.6) S/W TERMINAL PITCH  
**DETAIL FOR TERMINAL POSITION  
SCALE 4:1**



**RECOMMENDED P.C. BOARD HOLE PATTERN  
(FOR PC TERMINAL)  
COMPONENT SIDE**

|   |                      |  |   |             |  |            |              |          |                |              |
|---|----------------------|--|---|-------------|--|------------|--------------|----------|----------------|--------------|
| DWG TYPE<br>SALES DRAWING   | DRAWN<br><i>K.Y.</i> | TOLERANCES:<br>UNLESS OTHERWISE NOTED<br>X.X ± 0.5<br>X.XX ± 0.2<br>ANGULAR ± 1° | DWG TITLE<br>W12M-MECHANICAL<br>MOMENTARY/MAINTAINED,<br>SOLD./P.C. TERMINAL,<br>WIRELEADS, RING ILLUMINATION |             |  |            |              |          |                |              |
| STATUS<br>RELEASE   | REVIEW               | THIRD ANGLE PROJECTION<br>   | DWG NO.<br>W12M-A,B,E,F,G,H   |             |  |            |              |          |                |              |
| <small>This document is the intellectual property of ITW Electronic Business Asia Co., Limited and may contain confidential, proprietary, privileged information protected by law. Neither this document nor any information it contains can be reproduced, transformed to any other format, or distributed, without written permission by ITW Electronic Business Asia Co., Limited.<br/>本文件為安達維百電器股份有限公司之智慧財產，非經許可不得翻取、複製、轉變成其他形式使用或散佈。</small> |                      |  | DATE<br>2017/12/29  | REF:<br>--- | <input checked="" type="checkbox"/> 管制文件<br><input type="checkbox"/> 非管制文件 | Unit<br>mm | SCALE<br>2:1 | REV<br>5 | RoHS Compliant | SHEET 2 OF 3 |