

Customer Information Sheet

DRAWING No.: Z80-299

SHEET 2 OF 2

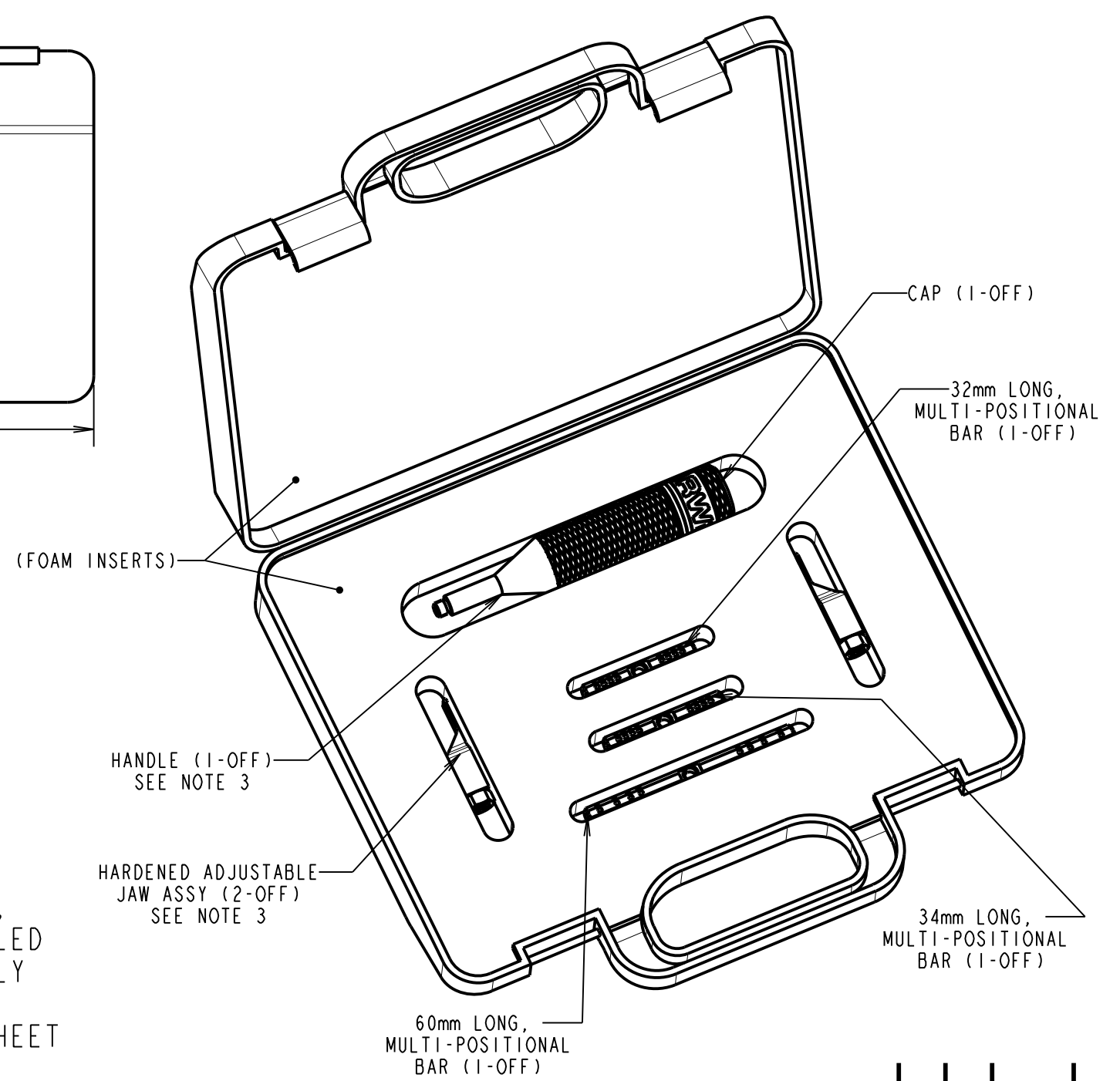
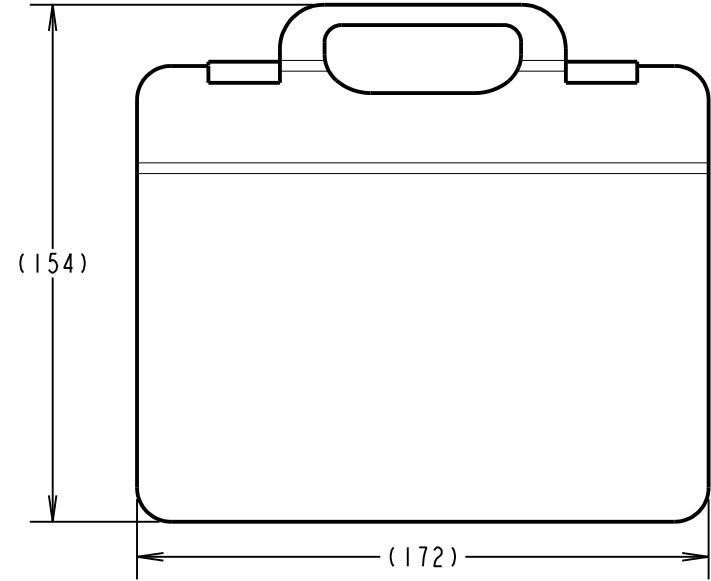
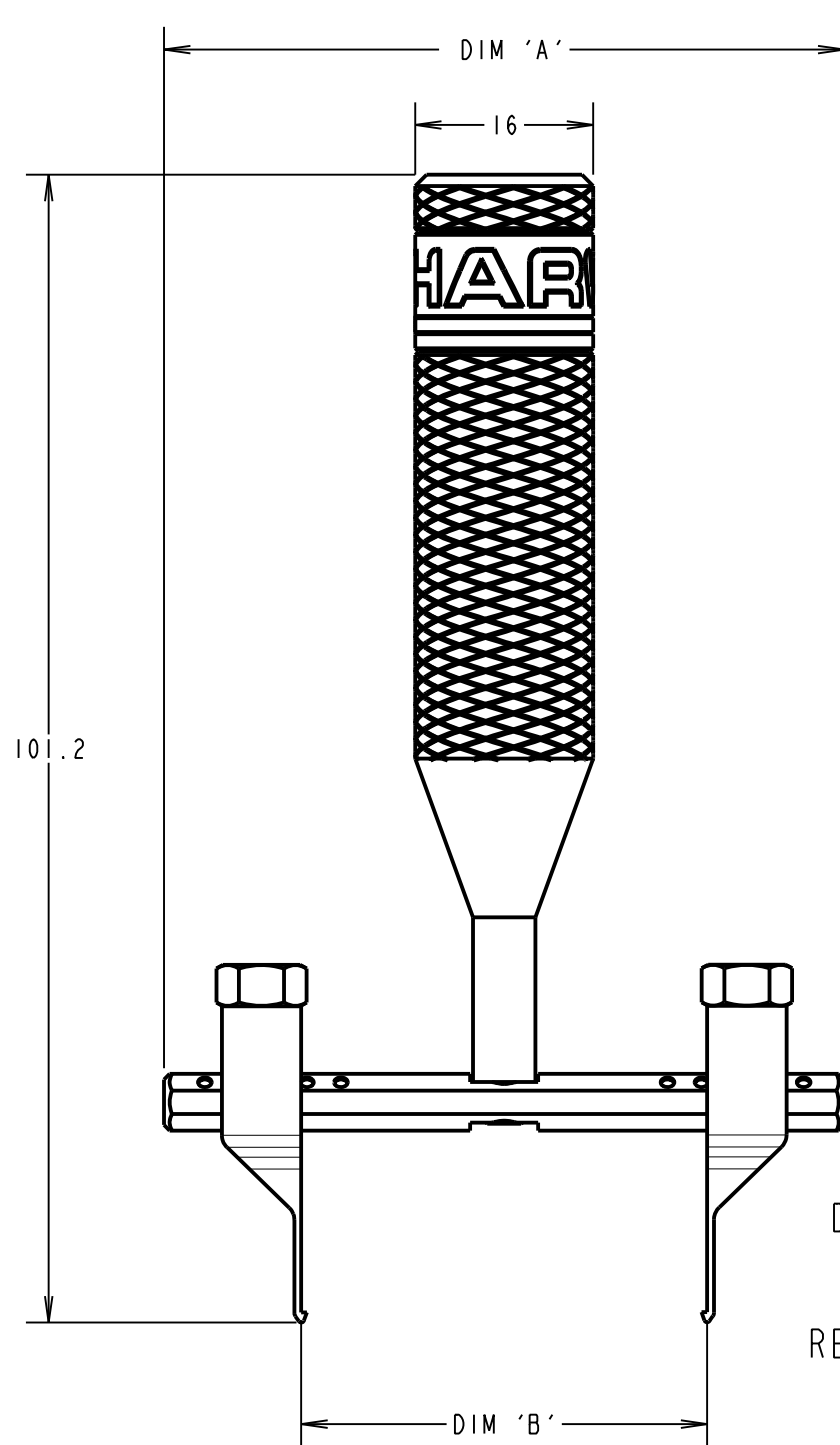
IF IN DOUBT - ASK

©

NOT TO SCALE

THIRD ANGLE PROJECTION

ALL DIMENSIONS IN mm




SUPPLIED AS A KIT IN A CASE,
DE-LATCHING TOOL SHOWN ASSEMBLED
FOR ILLUSTRATION PURPOSES ONLY

REFER TO TOOLING INSTRUCTION SHEET
IS-30 PRIOR TO USE.

| DIM 'A' | DIM 'B' |
|---------|----------------------------|
| 60.0 | 21.80, 27.80, 35.80, 45.80 |
| 34.0 | 7.80, 11.80, 15.80, 19.80 |
| 32.0 | 5.80, 9.80, 13.80, 17.80 |

- NOTES:
1. INSTRUCTION SHEETS ARE AVAILABLE FOR THIS TOOL. REFER TO TOOLING INSTRUCTION SHEET IS-30 FOR MORE INFORMATION.
 2. ANY PARTS REQUIRED TO BE SCREWED TOGETHER, MUST ONLY BE HAND TIGHTENED.
 3. HANDLE WITH CARE. WHEN NOT IN USE STORE ADJUSTABLE JAWS IN HANDLE OR CASE.
 4. FOR REPLACEMENT PARTS REFER TO TOOLING INSTRUCTION SHEET IS-30 FOR FURTHER DETAILS AND PART NUMBERS.

| | | | |
|----------------------|------|----------|--------|
| FM | 6 | 22.01.18 | 20954 |
| NAME | ISS. | DATE | C/NOTE |
| APPROVED: F. MCGOWAN | | | |
| CHECKED: M. PLESTED | | | |
| DRAWN: S.FLOWER | | | |
| CUSTOMER REF.: | | | |
| ASSEMBLY DRG: | | | |

| | | | | |
|---|---|--|--|--|
|  www.harwin.com technical@harwin.com | THIS DRAWING AND ANY INFORMATION OR DESCRIPTIVE MATTER SET OUT HEREON ARE CONFIDENTIAL AND COPYRIGHT PROPERTY OF THE HARWIN GROUP AND MUST NOT BE DISCLOSED, LOANED, COPIED OR USED FOR MANUFACTURING, TENDERING OR FOR ANY OTHER PURPOSE WITHOUT THEIR WRITTEN PERMISSION. | TOLERANCES X. = ±1mm X.X = ±0.50mm X.XX = ±0.10mm X.XXX = ±0.01mm ANGLES = ±5° UNLESS STATED | MATERIAL: METAL TOOL | TITLE: DATAMATE L-TEK DE-LATCHING TOOL WITH STORAGE CASE |
| | | | FINISH: CLEAN S/AREA: mm ² | DRAWING NUMBER: Z80-299 |