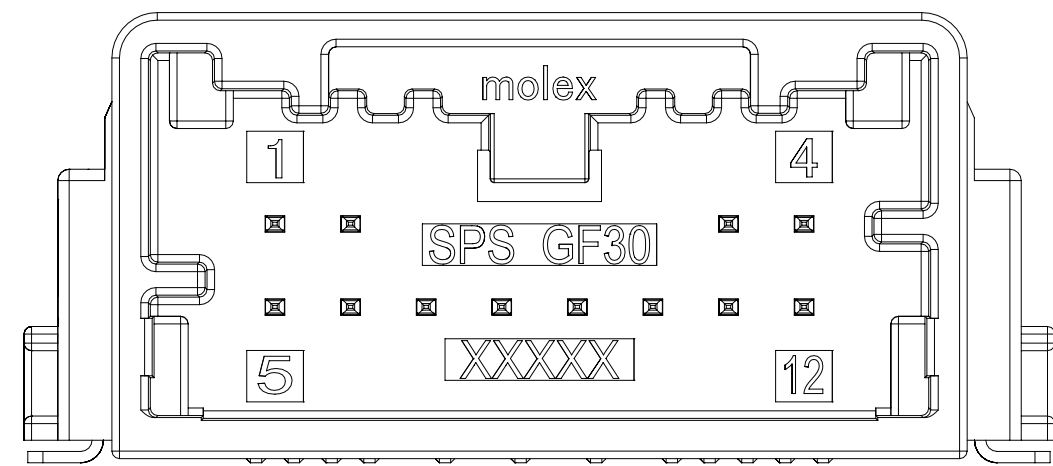
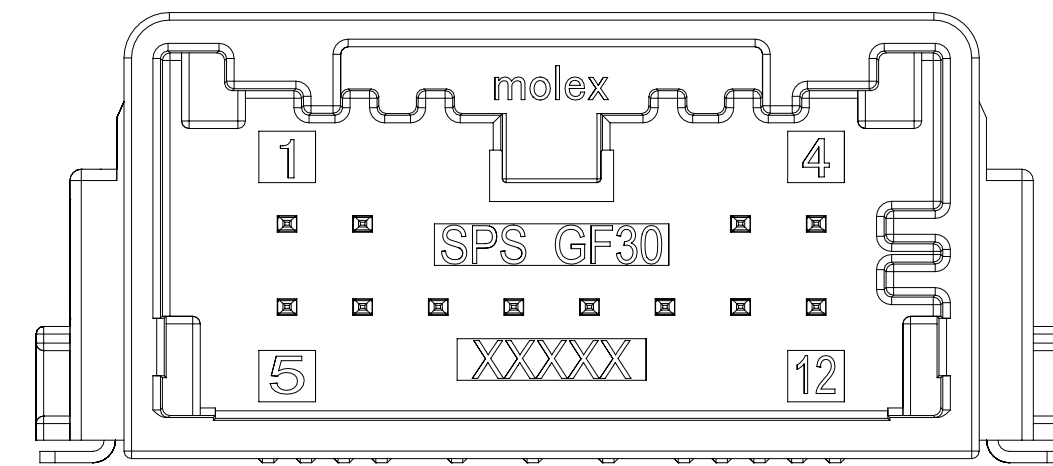


12 CIRCUIT SMT USCAR HEADER  
POLARIZATION OPTION A

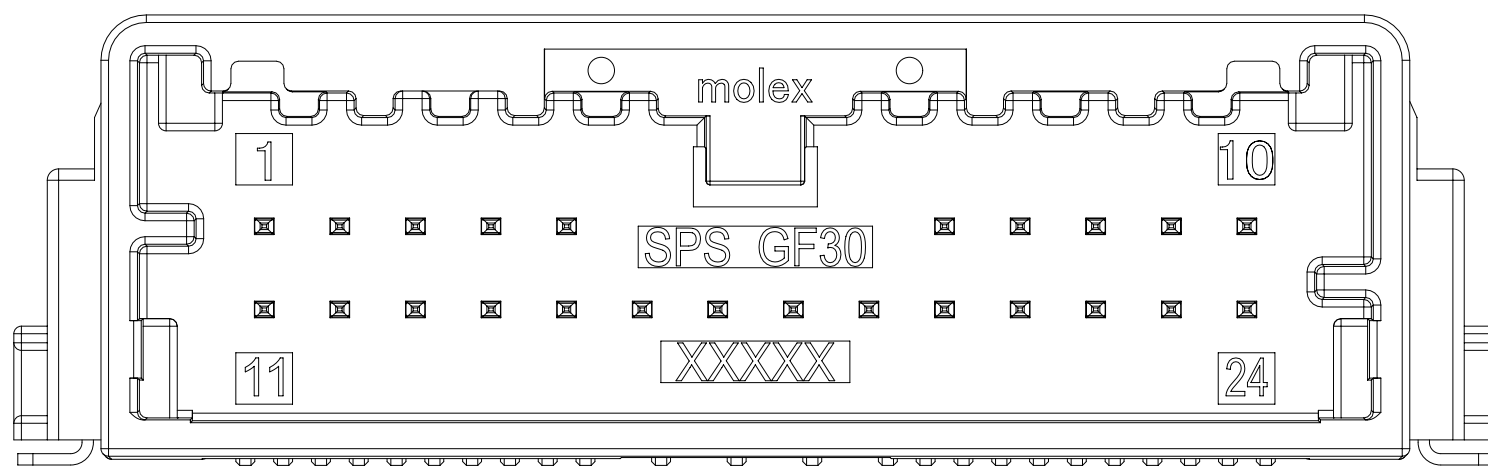


12 CIRCUIT SMT USCAR HEADER  
POLARIZATION OPTION B

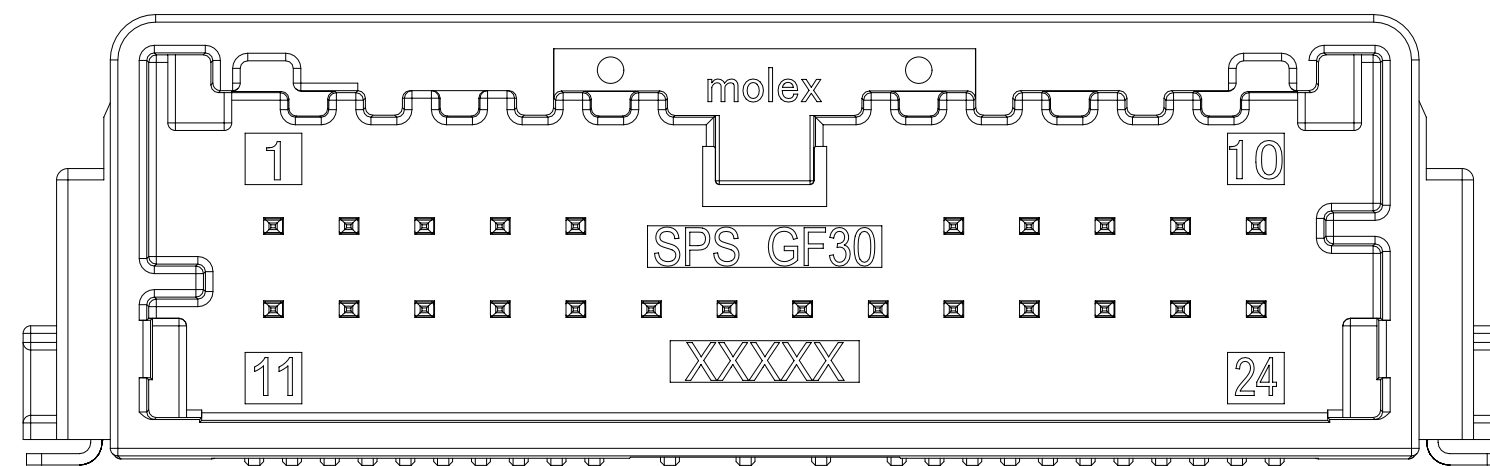


12 CIRCUIT SMT USCAR HEADER  
POLARIZATION OPTION C

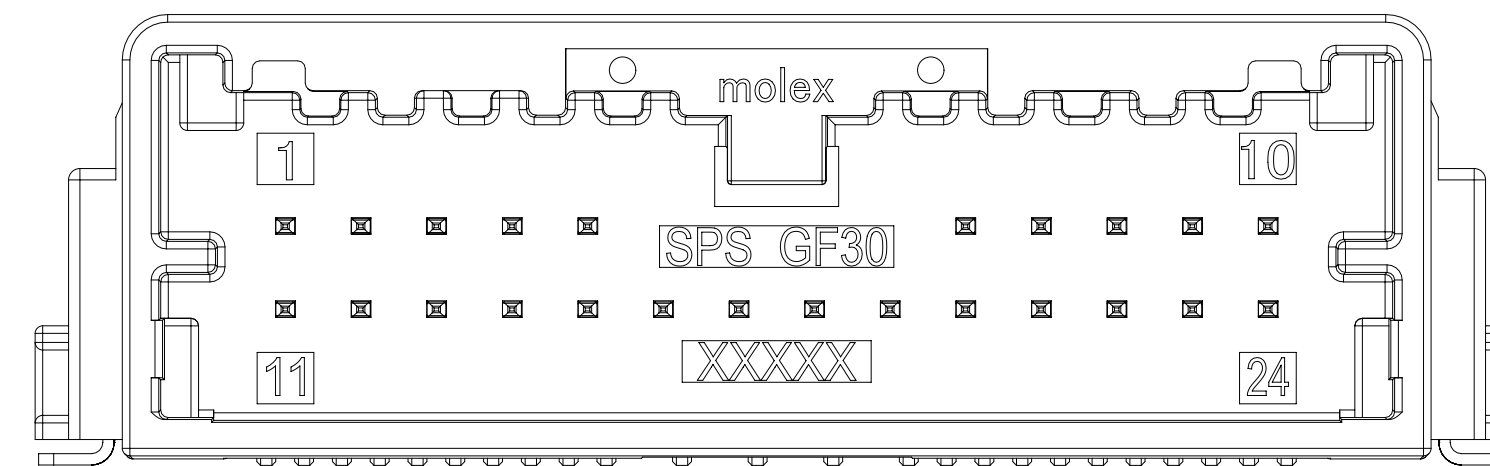
24CKT POLARIZATION OPTIONS SHOWN BELOW  
ARE REPRESENTATIVE FOR 16 AND 20CKT



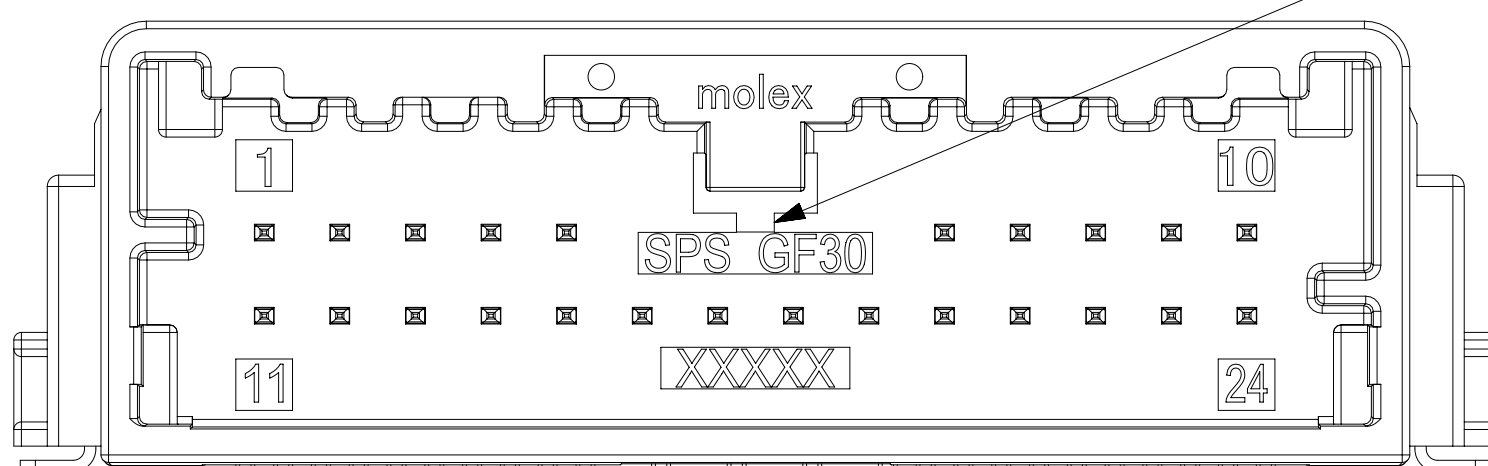
24 CIRCUIT SMT HEADER  
POLARIZATION OPTION A



24 CIRCUIT SMT HEADER  
POLARIZATION OPTION B



24 CIRCUIT SMT HEADER  
POLARIZATION OPTION C



V0 IDENTIFIER  
APPLIES FOR 12-24CKT

NOTES: VALID UNLESS OTHERWISE SPECIFIED

1. GENERAL:
    - a. APPLICATION SPECIFICATION SEE: AS-34791-020
    - b. PRODUCT SPECIFICATION SEE: PS-34791-020
    - c. PACKAGING SPECIFICATION PER MOLEX DRAWING: SEE CHART
    - d. SOLDERABILITY PER SMES-152
    - e. PARTS MUST BE IN COMPLIANCE TO MOLEX CHEMICAL SUBSTANCES FOR PRODUCTS AND PACKAGING SPECIFICATION: QEHS-699000-300
    - f. DATA MUST BE SUBMITTED UNDER THE MOLEX PART NUMBER TO IMDS (COMPANY ID#13255)
    - g. FLAMMABILITY REQUIREMENT: PER ISO3795 OR GM3191
    - h. VISUAL DEFECTS SHALL MEET COSMETIC STANDARD PS-45499-002 (Class B)
  2. DESIGN - MATERIALS:
    - a. SHROUD (PLASTIC HOUSING): SPS 30% GF, 25% REGRIND MAX PER WEIGHT
    - b. BLADES:
      - BASE METAL: C26000 BRASS
      - PLATING REQUIREMENTS:
        - TIN:
          - UNDERPLATING:
            - OVERALL NICKEL: 1.25 - 2.25 MICROMETERS
          - OVERPLATING:
            - OVERALL TIN: 2.5 - 4.0 MICROMETERS
        - GOLD:
          - UNDERPLATING:
            - OVERALL NICKEL: 1.25 - 2.25 MICROMETERS
          - OVERPLATING:
            - CONTACT AREA: ELECTRODEPOSITED GOLD
              - MINIMUM 0.76 MICROMETERS HARD GOLD
            - PCB CONTACT AREA: ELECTRODEPOSITED TIN MATTE FINISH
              - MINIMUM 2.5 - 4.0 MICROMETERS
3. DESIGN - GEOMETRY:
  - a. THIS IS A 100% CAD GENERATED PART. THE CAD MATHEMATICAL DATA IS THE MASTER FOR THIS PART. FOR DIMENSIONAL OR ANY INFORMATION NOT SHOWN ON THIS DRAWING, ANALYZE THE CAD MODEL.
  - b. GEOMETRIC DIMENSIONS AND TOLERANCES PER ASME Y14.5M - 2009
  - c. GENERAL TOLERANCES: SEE TITLE BLOCK
  - d. EDGES AND UNDIMENSIONED DETAILS PER ISO13715
  - e. CORNERS SHOWN AS SHARP TO BE R 0.1 MAX
  - f. LETTERING SHALL BE BELOW SURROUNDING SURFACE OF PART. THIS INCLUDES RECYCLING CODE, PLANT AND CAVITY ID, VENDOR ID, AND CIRCUIT ID.
  - g. INTERFACE - USCAR
    - 050-U-012-2-ZXX
    - 050-U-016-2-ZXX
    - 050-U-020-2-ZXX
    - 050-U-024-2-ZXX

INSPECTION BALLON NUMBER LOG  
PER DRAWING REVISION: W10

LAST BALLON USED: 16

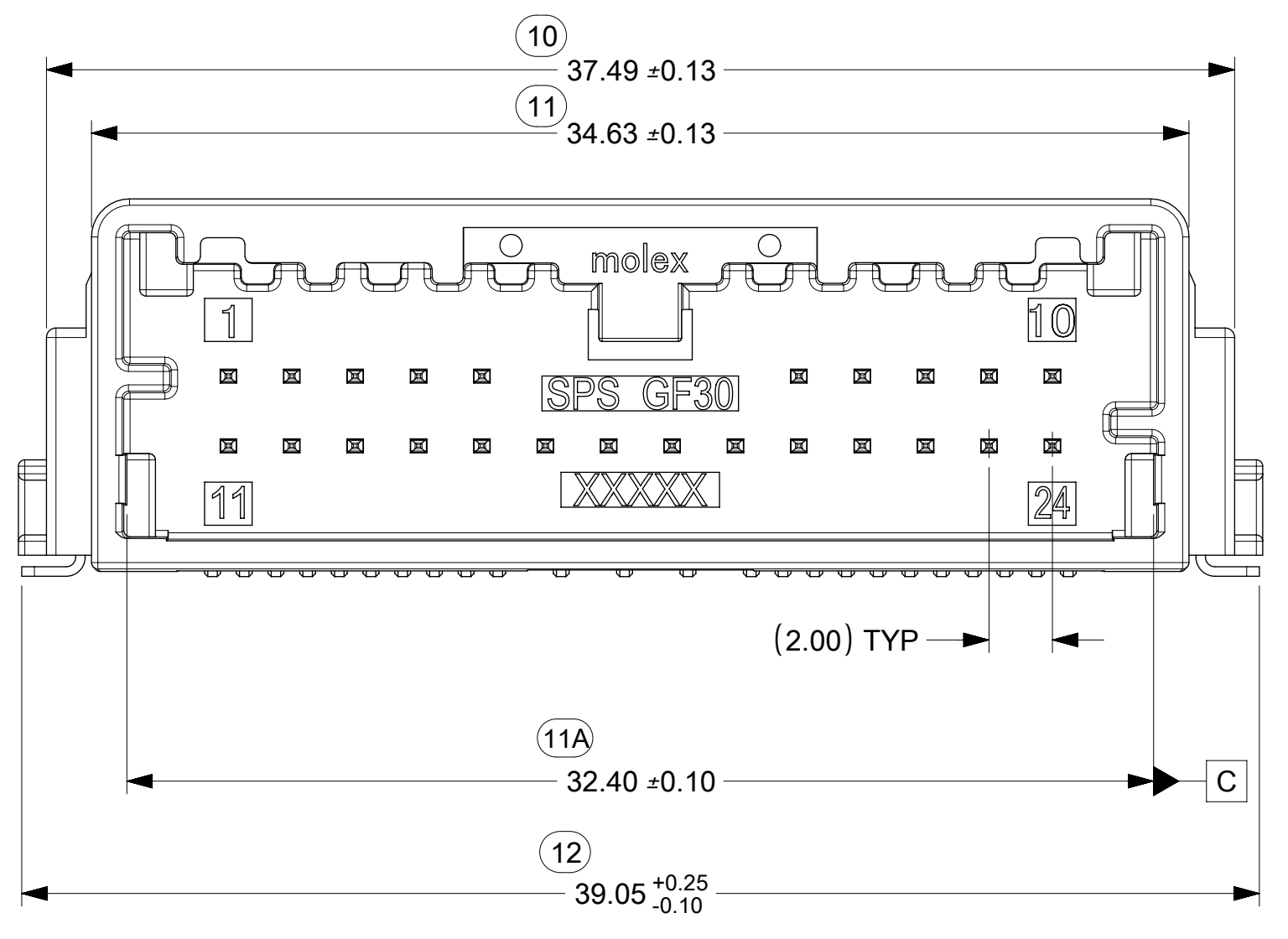
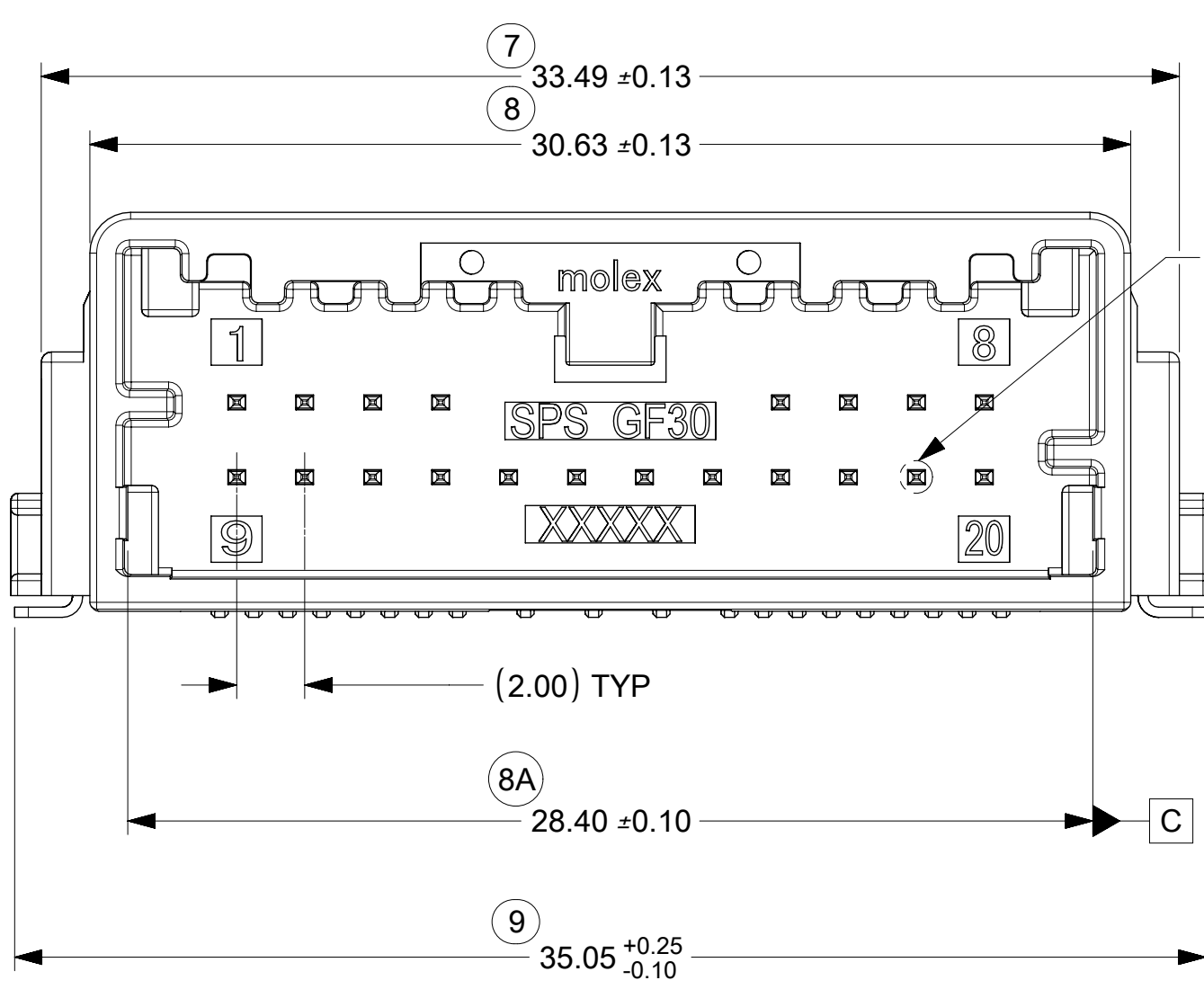
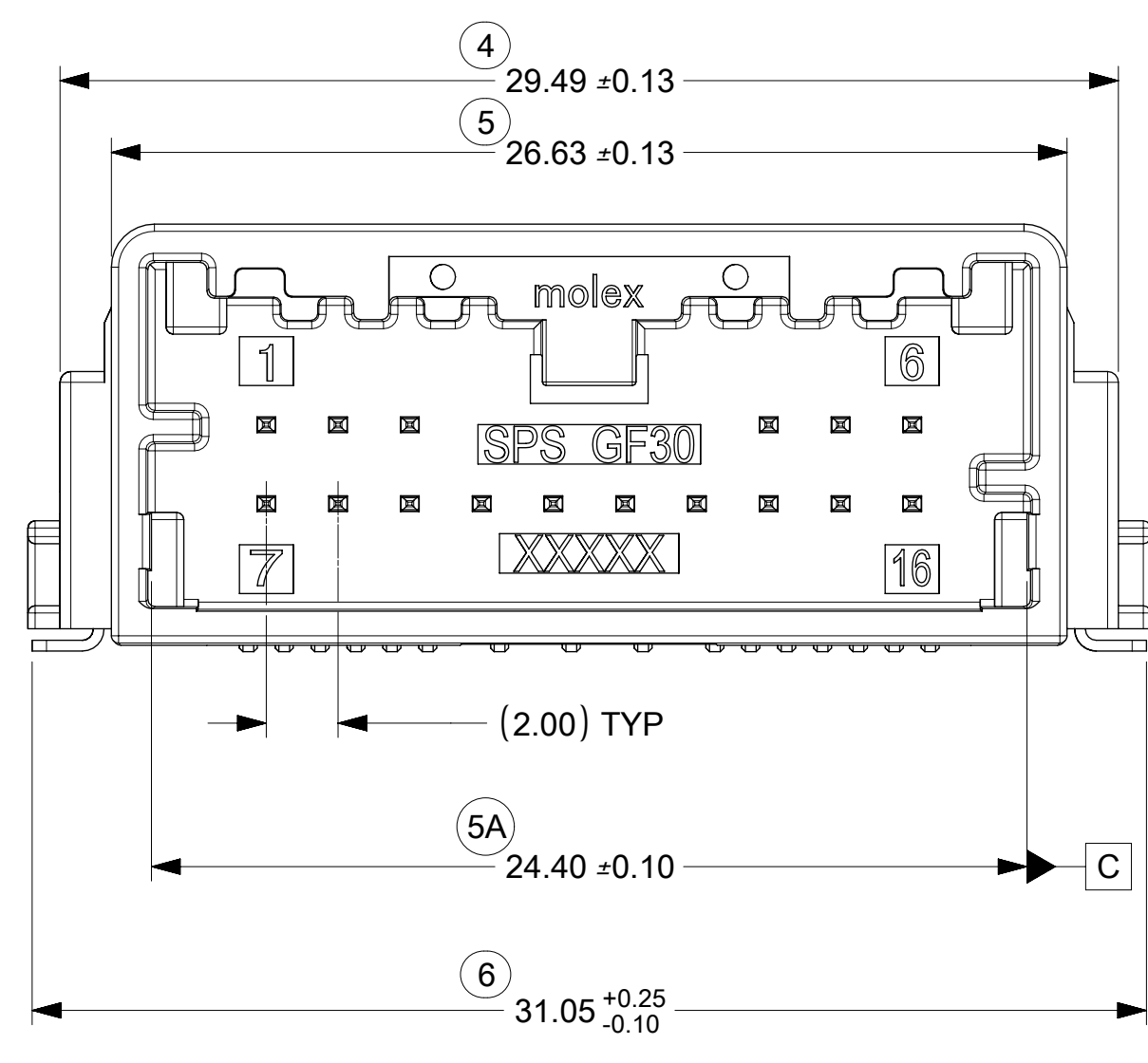
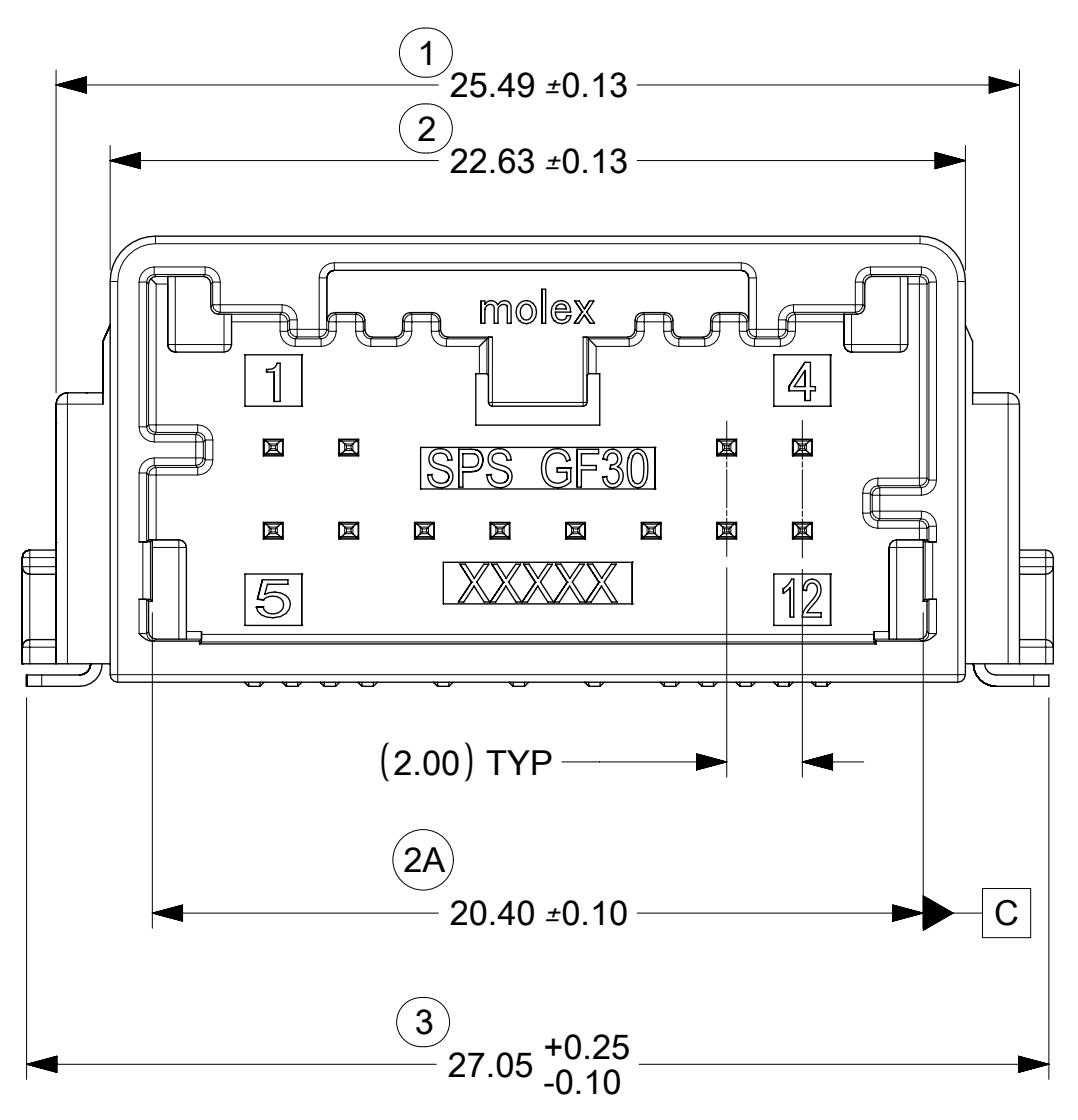
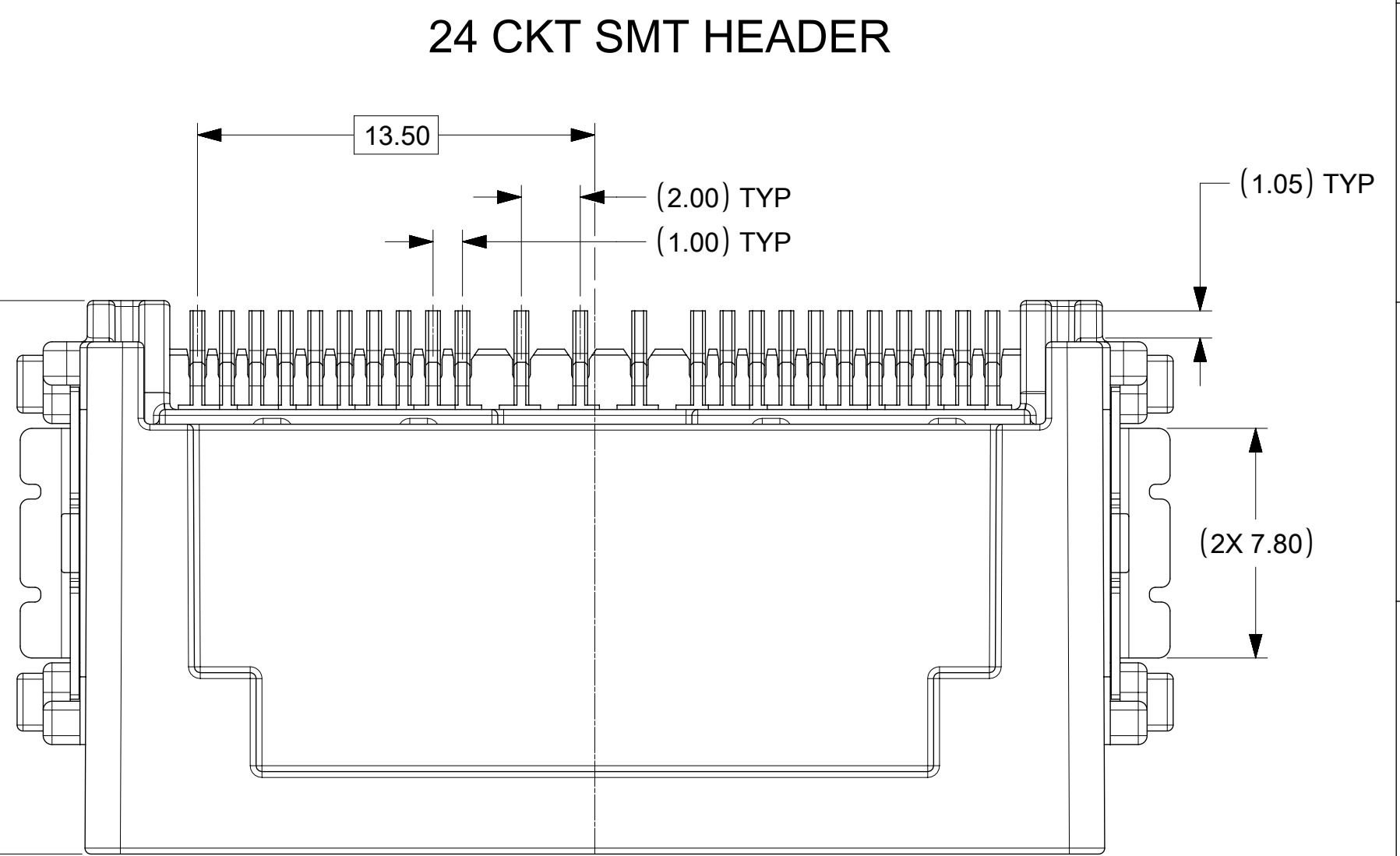
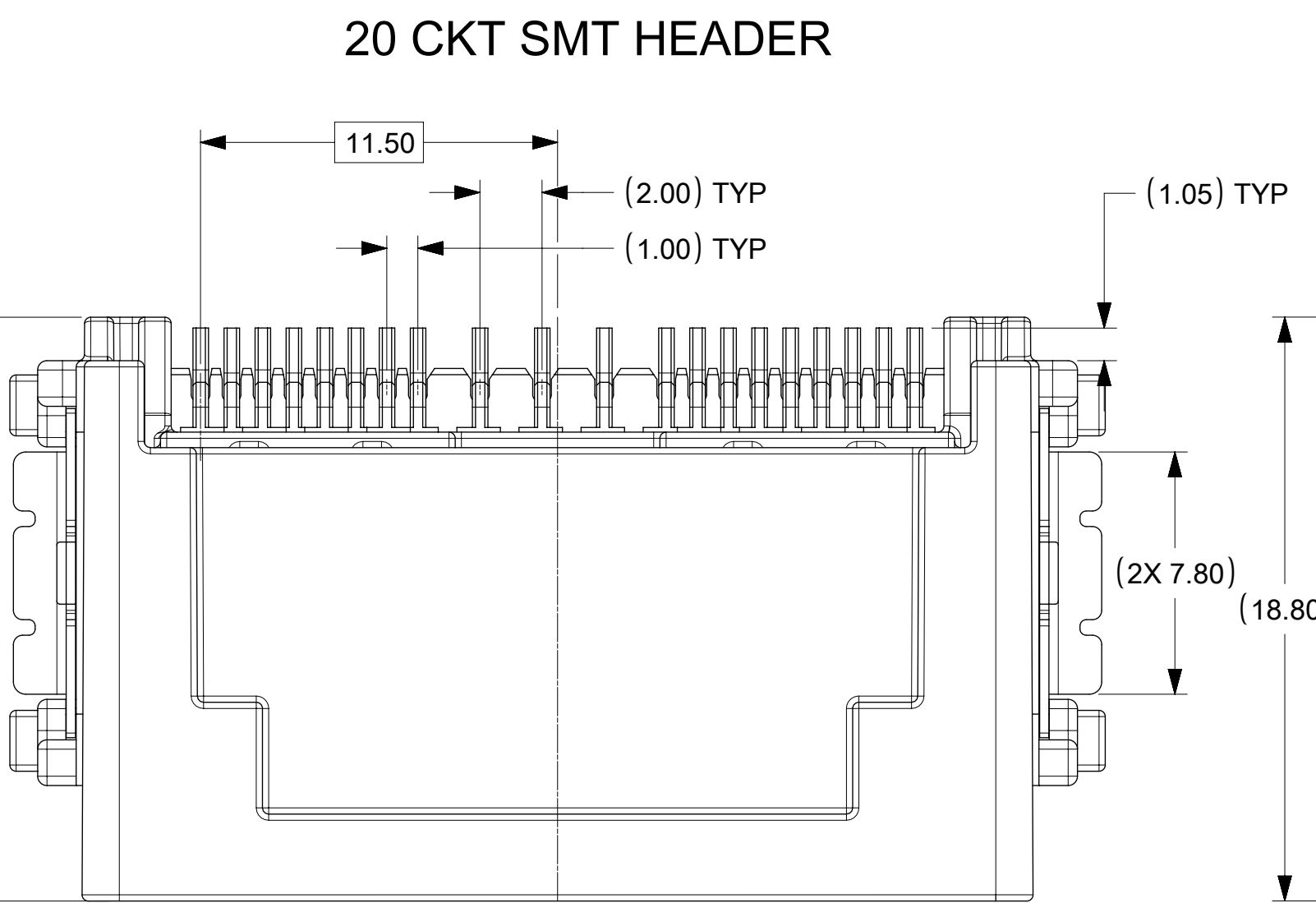
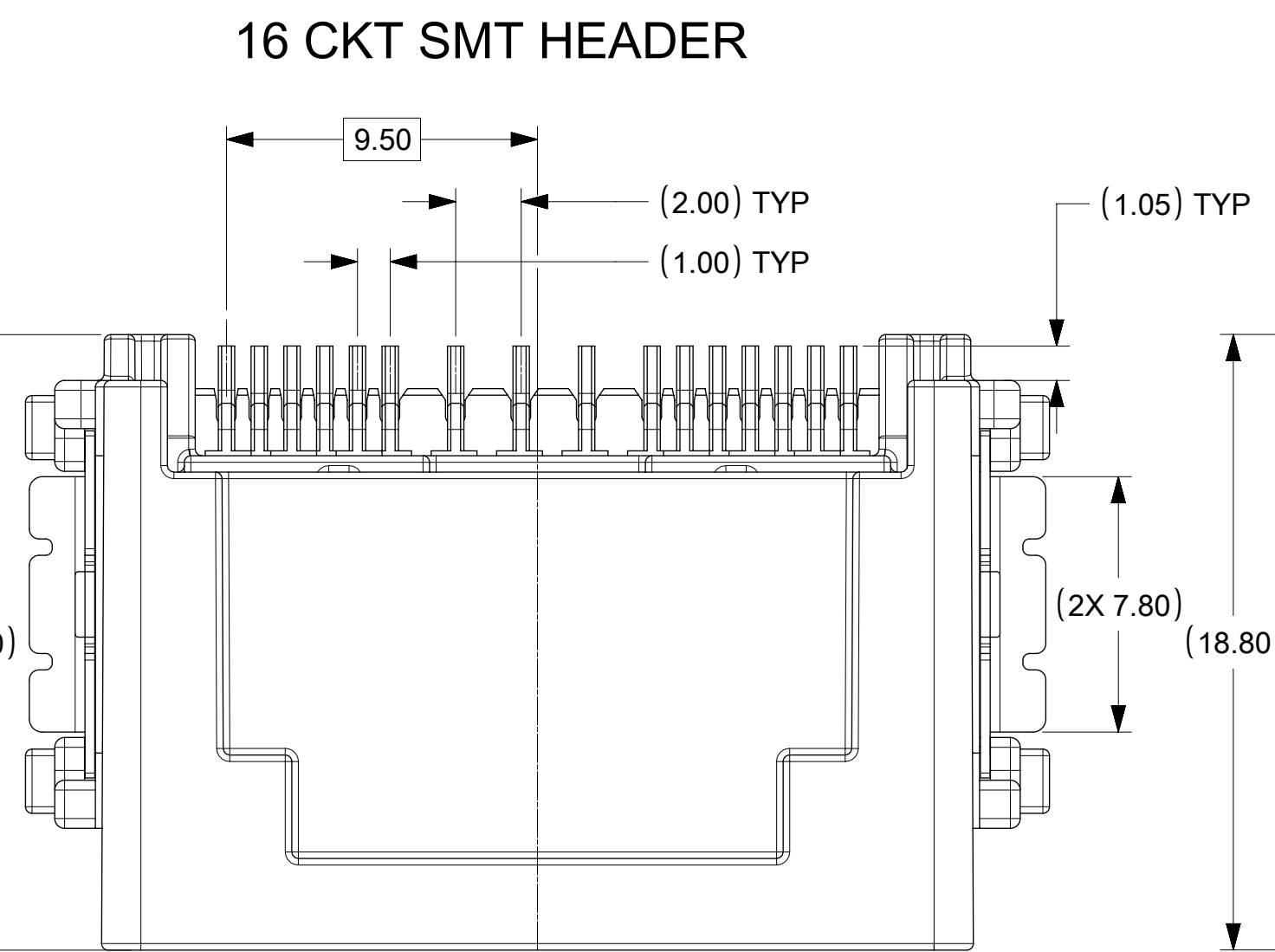
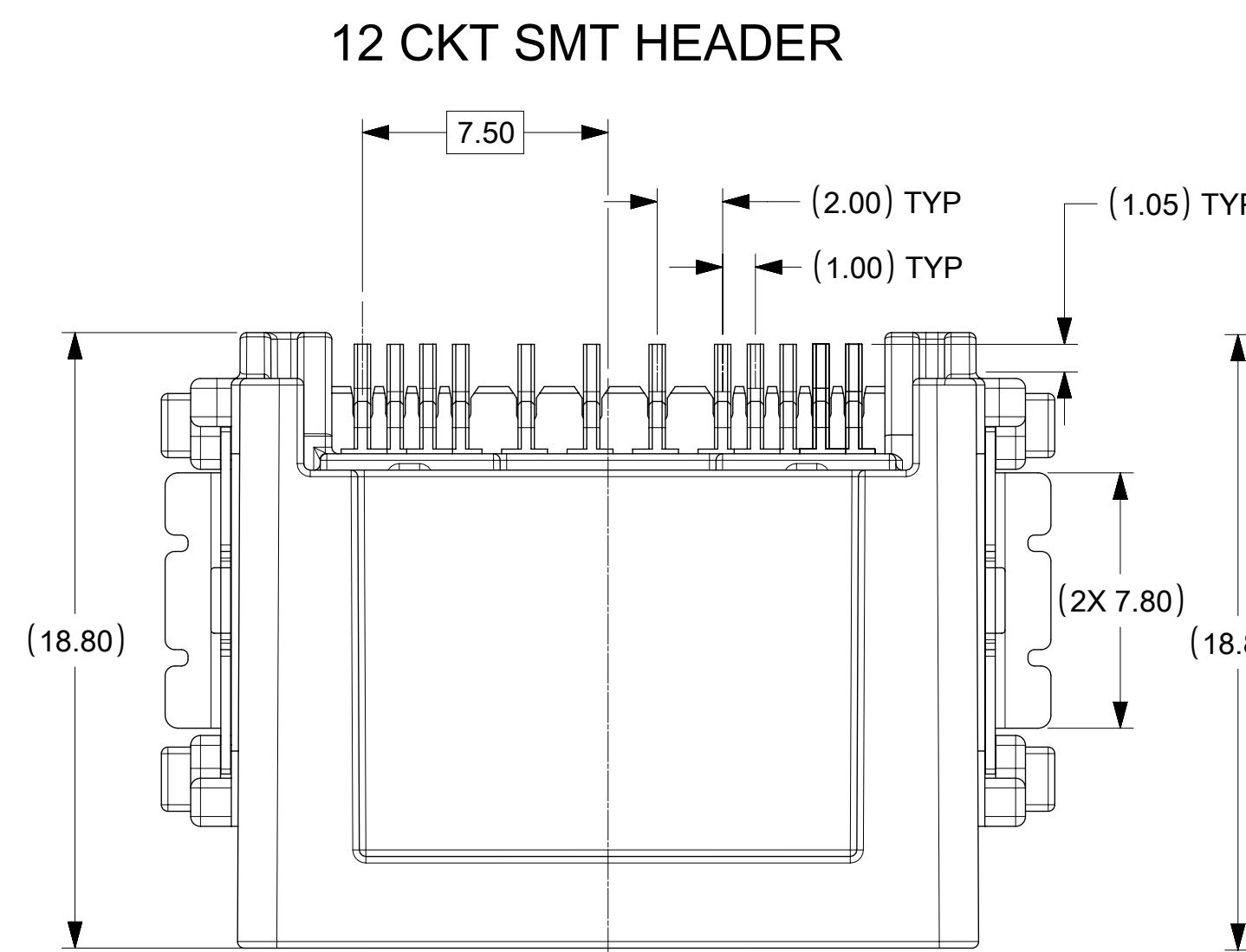
ADDED BALLON NUMBERS: 14A, 14B

REMOVED BALLON NUMBERS:

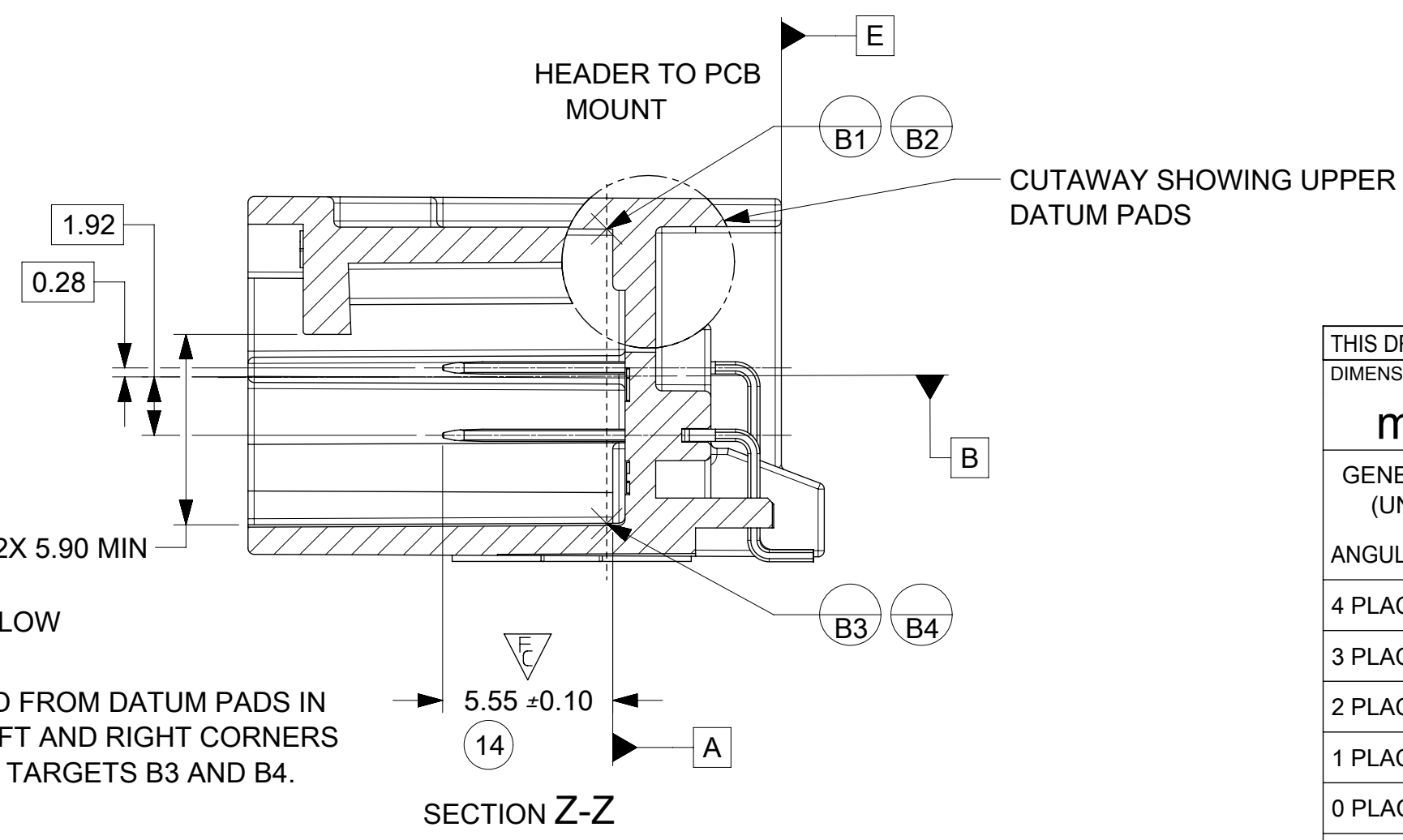
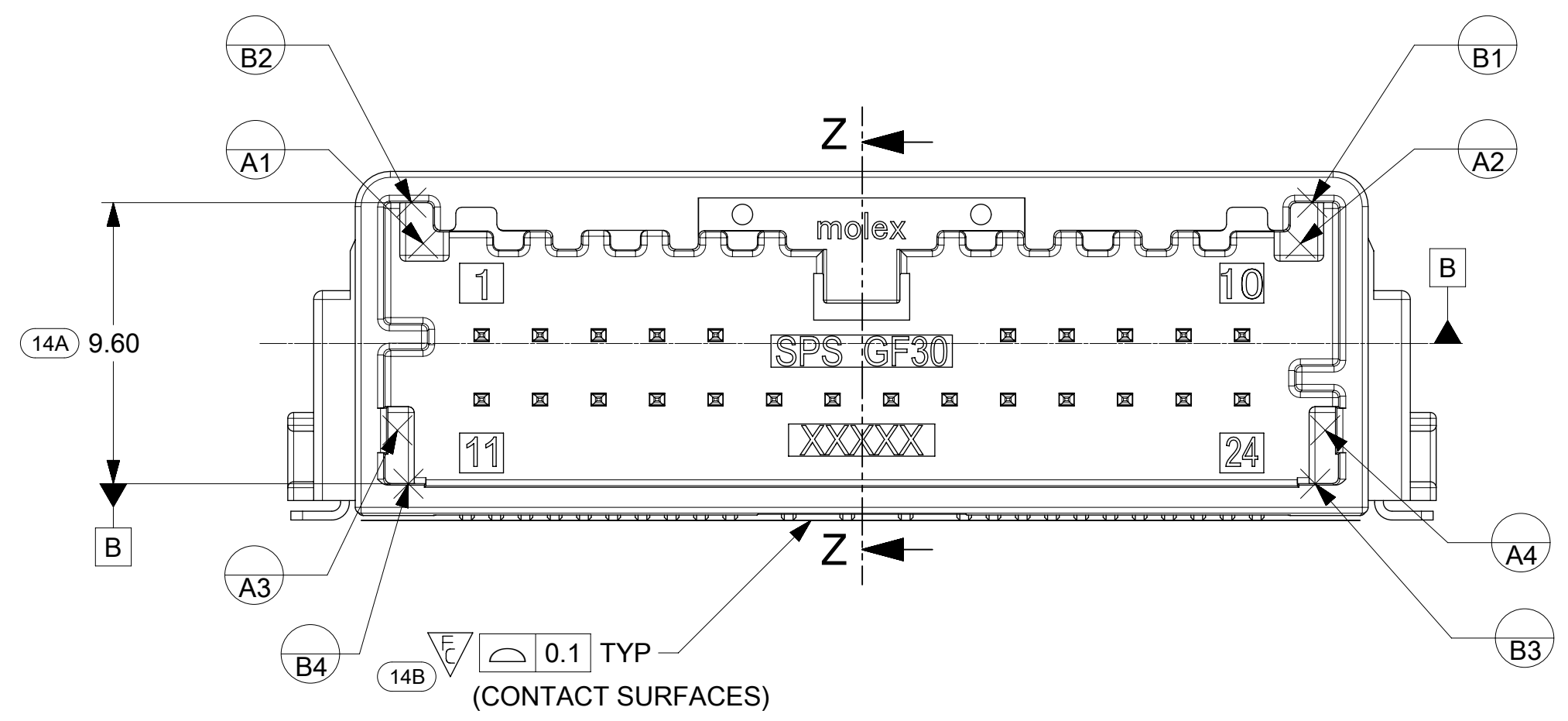
W10	SHEET 2: ADDED BALLOONS 14A, 14B
W9	SHEET 1: ADDED V0 VIEW SHEET 5: REORGANIZED BOM TABLE
W8	DRAWING REMASTERED SHEET 1: UPDATED NOTE 2b BASE METAL SHEET 1: ADDED NOTE 3g SHEET 2: SOLDERNAIL POCKET DIMS UPDATED SHEET 3: ADDED BALLOONS 13A & 13B SHEET 5: ADDED V0 TIN PART NUMBERS TO BOM
W7	UPDATED INSPECTION LOG, CHANGED DESCRIPTION, ADDED BASIC DIMS TO SHEET 2
W6	DELETED 34897-6164
W5	ADDED DIM BALLOON 15 & 16
W4	ADDED 16CKT GOLD DEPOPULATED POL A P/N
W3	NX REMASTERING
REV	DESCRIPTION

THIS DRAWING CONTAINS INFORMATION THAT IS PROPRIETARY TO MOLEX ELECTRONIC TECHNOLOGIES, LLC AND SHOULD NOT BE USED WITHOUT WRITTEN PERMISSION

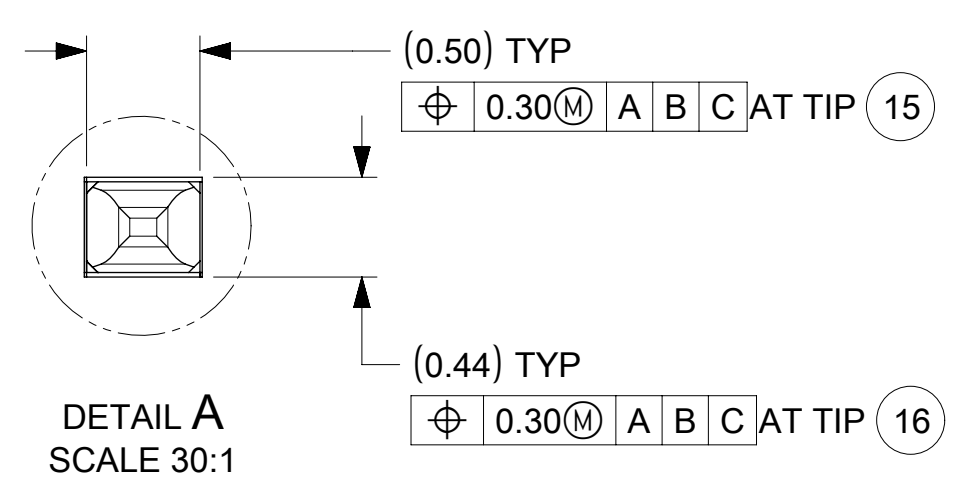
DIMENSION UNITS	SCALE	CURRENT REV DESC:					
mm	5:1						
GENERAL TOLERANCES (UNLESS SPECIFIED)		EC NO: 652958		MINI50 12-24CKT SMT HDR SALES DRAWING  PRODUCT CUSTOMER DRAWING			
ANGULAR TOL ± 1.0°		DRWN: SRUSS 2021/01/12					
4 PLACES ±		CHK'D: KHEWITT 2021/01/13		DOCUMENT NUMBER			
3 PLACES ±		APPR: JDUNAJ 2021/01/13		DOC TYPE			
2 PLACES ± 0.1		INITIAL REVISION:		DOC PART			
1 PLACE ± 0.2		DRWN: SMAHESHBABU 2017/03/20		REVISION			
0 PLACES ±		APPR: KHEWITT 2017/06/21		SD-34897-001			
DRAFT WHERE APPLICABLE MUST REMAIN WITHIN DIMENSIONS		THIRD ANGLE PROJECTION	DRAWING	SERIES	MATERIAL NUMBER	CUSTOMER	SHEET NUMBER
			D-SIZE	34897		GENERAL MARKET	1 OF 5



POST-REFLOW MINIMUM LATCH HEIGHT  
24 CKT HEADER ASSEMBLY SHOWN AS EXAMPLE



\*POST REFLOW MINIMUM MEASURED FROM DATUM PADS IN LOWER LEFT AND RIGHT CORNERS TO DATUM TARGETS B3 AND B4.



THIS DRAWING CONTAINS INFORMATION THAT IS PROPRIETARY TO MOLEX ELECTRONIC TECHNOLOGIES, LLC AND SHOULD NOT BE USED WITHOUT WRITTEN PERMISSION											
DIMENSION UNITS		SCALE		CURRENT REV DESC:							
mm		5:1									
GENERAL TOLERANCES (UNLESS SPECIFIED)											
ANGULAR TOL ± 1.0°											
4 PLACES ±											
3 PLACES ±											
2 PLACES ± 0.1											
1 PLACE ± 0.2											
0 PLACES ±											
DRAFT WHERE APPLICABLE MUST REMAIN WITHIN DIMENSIONS				THIRD ANGLE PROJECTION		DRAWING		SERIES		MATERIAL NUMBER	
				D-SIZE		34897		GENERAL MARKET		SHEET NUMBER	
DOCUMENT STATUS				P1		RELEASE DATE		2021/01/13		21:06:50	
19				18		17		16		15	

**molex**

MINI50 12-24CKT SMT HDR SALES DRAWING

PRODUCT CUSTOMER DRAWING

DOCUMENT NUMBER: SD-34897-001

DOC TYPE: PSD

DOC PART: 000

REVISION: W10

EC NO: 652958

DRWN: SRUSS

CHK'D: KHEWITT

APPR: JDUNAJ

INITIAL REVISION:

DRWN: SMAHESHBABU

APPR: KHEWITT

2021/01/12

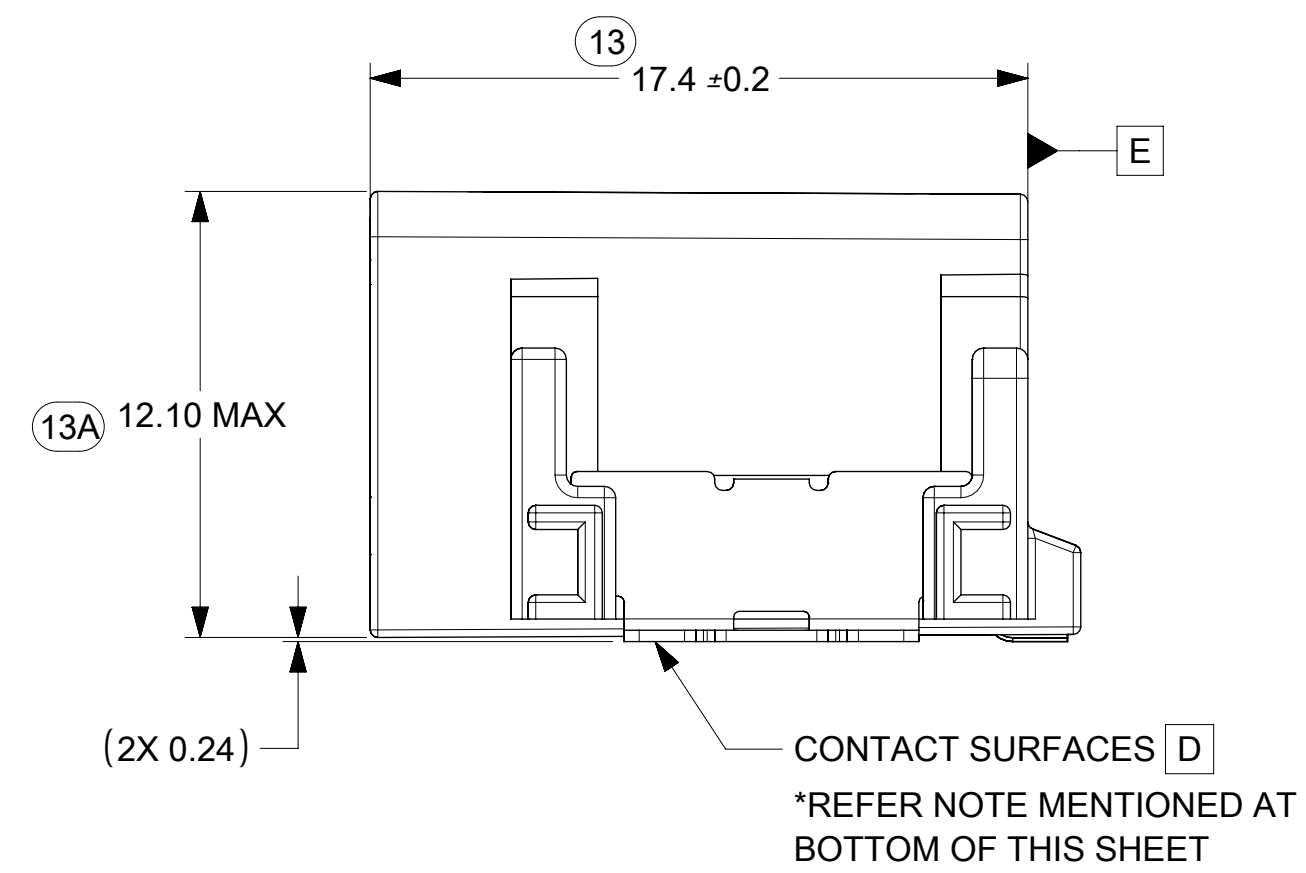
2021/01/13

2021/01/13

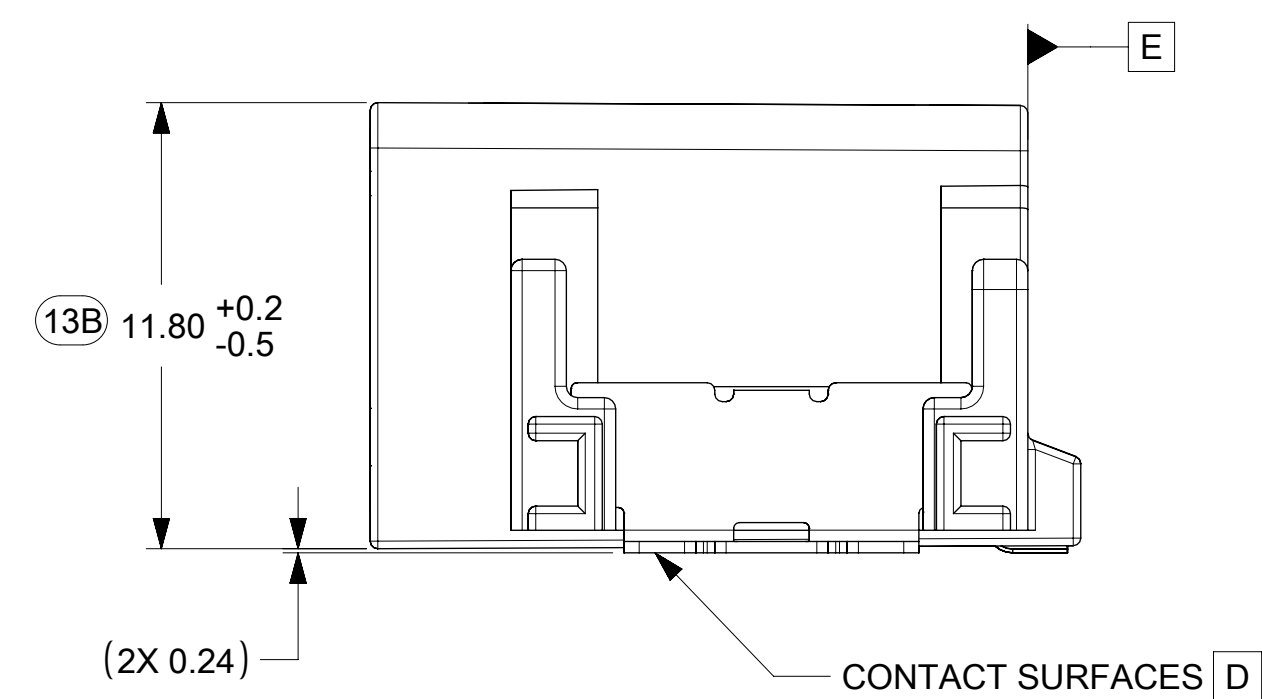
2017/03/20

2017/06/21

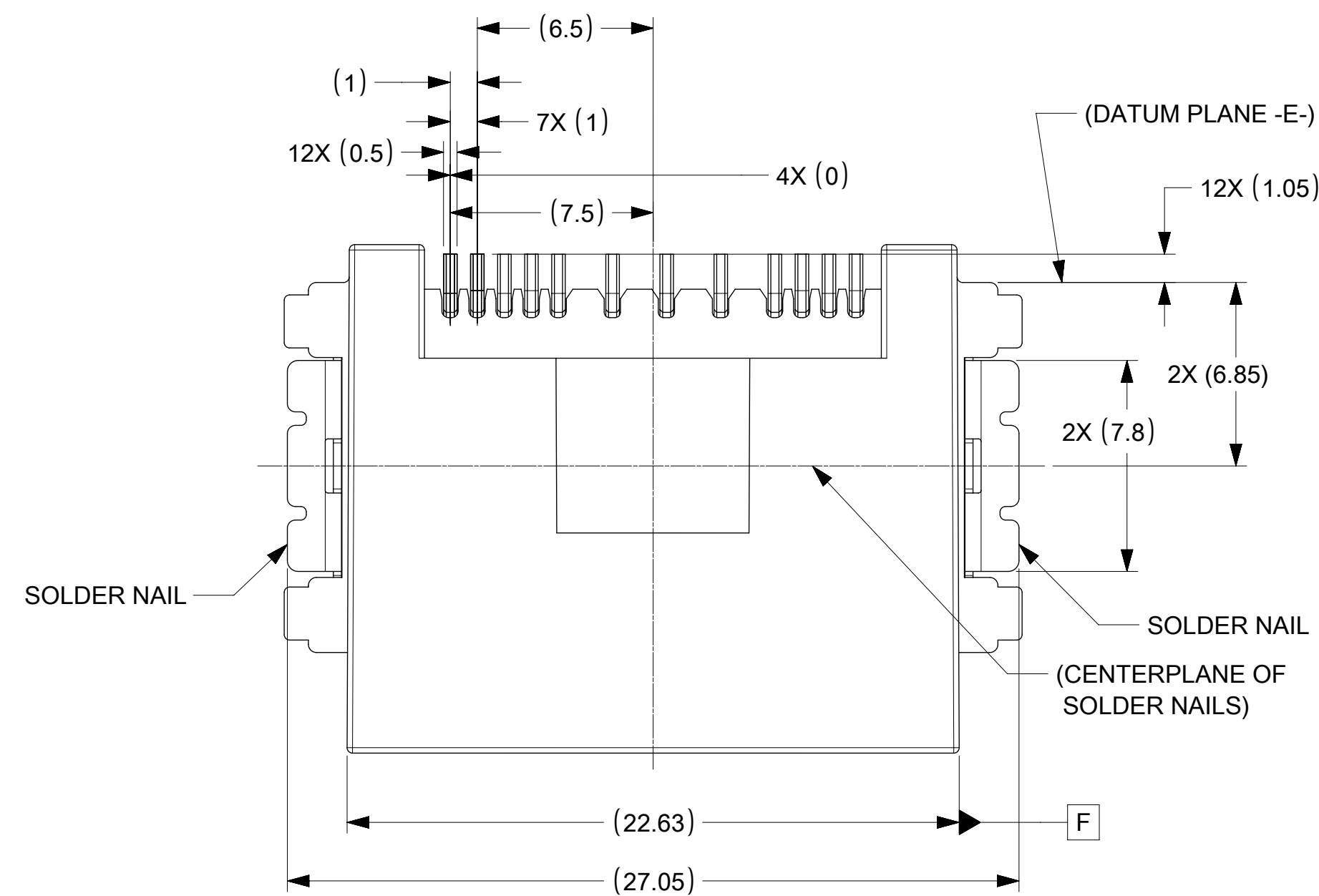
**BEFORE REFLOW SOLDERING  
TEMPERATURE EXPOSURE**



**AFTER REFLOW SOLDERING  
TEMPERATURE EXPOSURE**

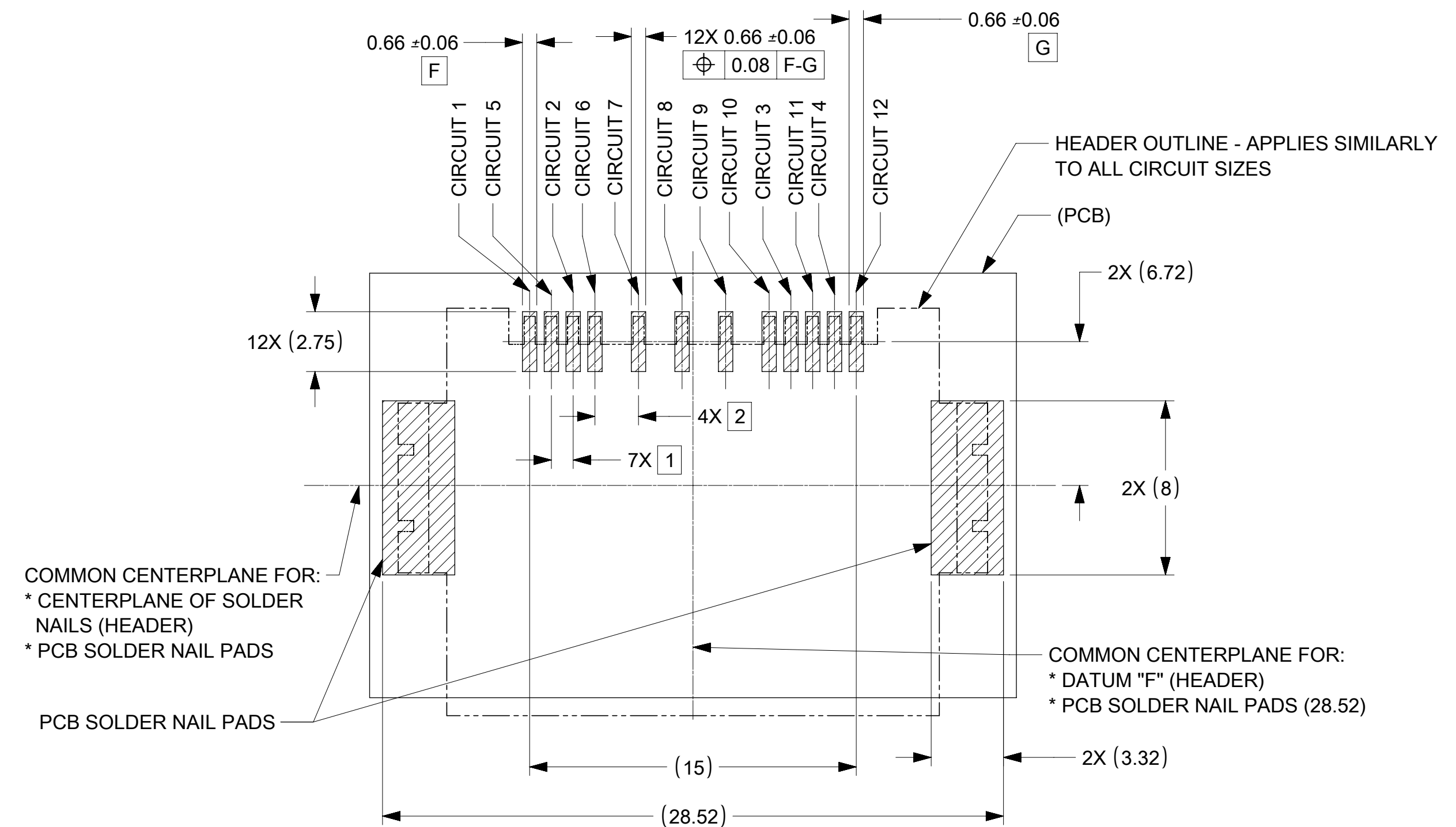


NOTE:  
CONTACTS PER CKT:  
12 CKT - 14 CONTACTS  
16 CKT - 18 CONTACTS  
20 CKT - 22 CONTACTS  
24 CKT - 26 CONTACTS



**12 CKT SMT HEADER (BOTTOM VIEW)  
(OTHER CIRCUIT SIZES ARE SIMILAR)**

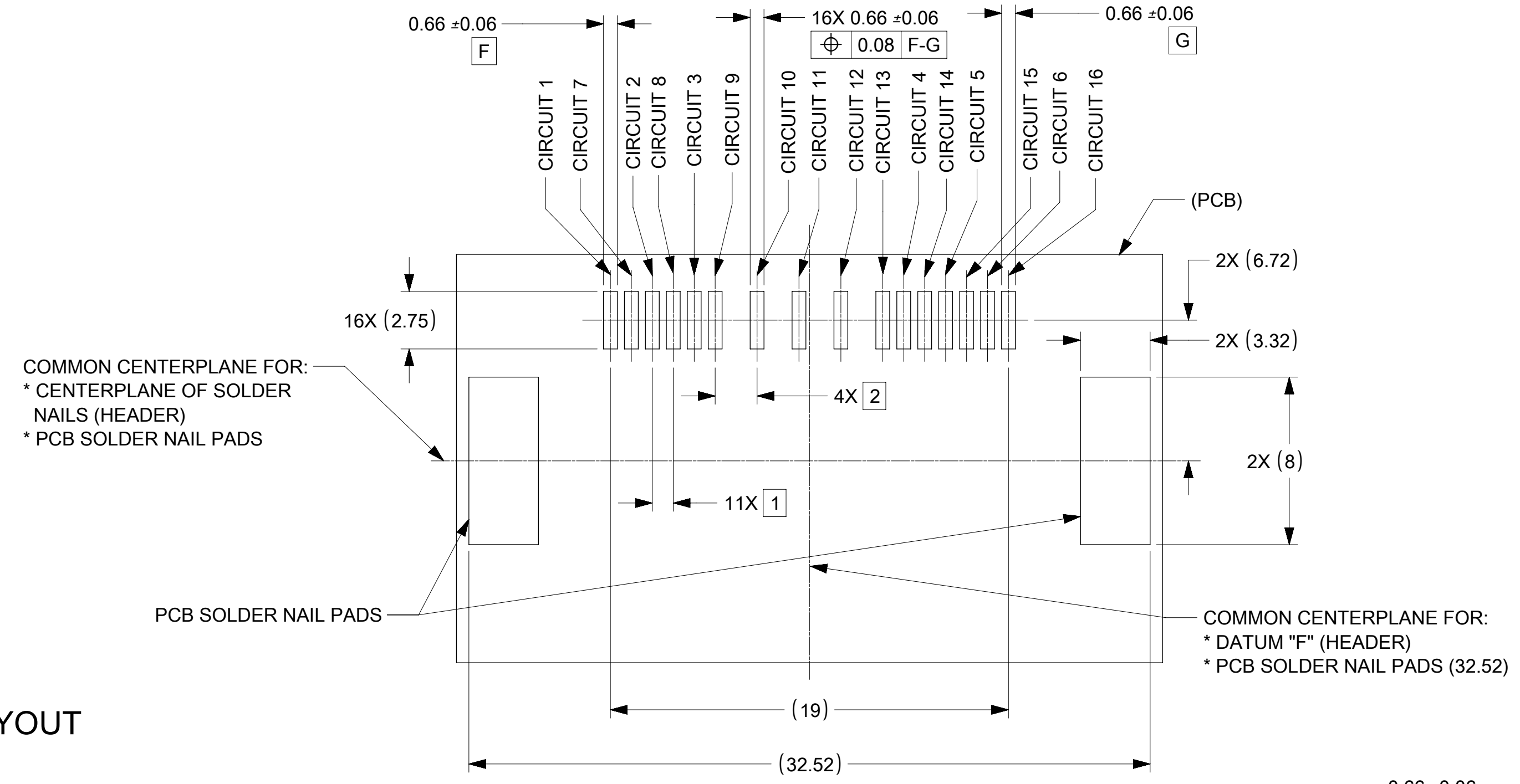
**RECOMMENDED PCB LAYOUT:**



**12 CKT PCB LAYOUT**

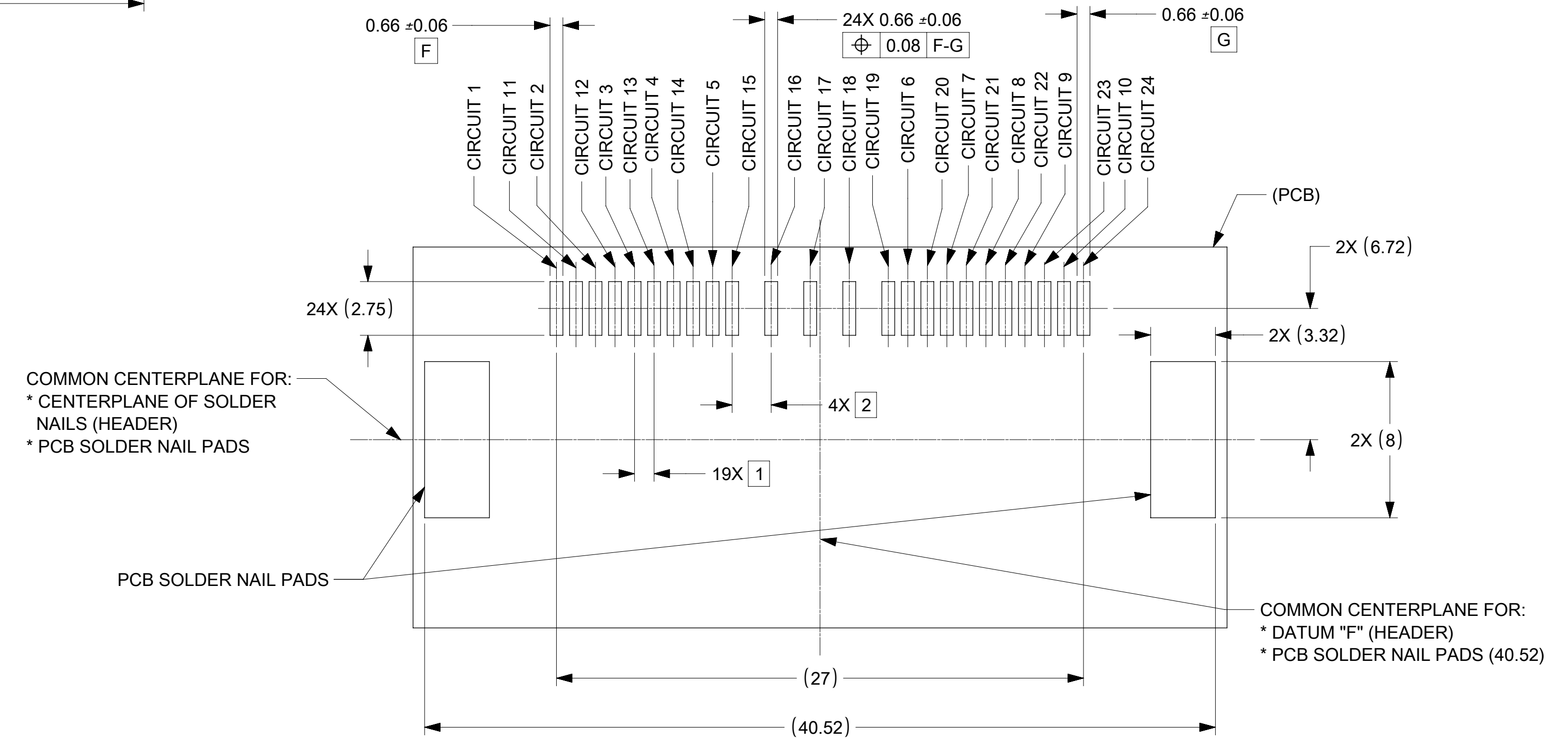
THIS DRAWING CONTAINS INFORMATION THAT IS PROPRIETARY TO MOLEX ELECTRONIC TECHNOLOGIES, LLC AND SHOULD NOT BE USED WITHOUT WRITTEN PERMISSION											
DIMENSION UNITS		SCALE		CURRENT REV DESC:						<b>molex</b>	
mm		5:1									
GENERAL TOLERANCES (UNLESS SPECIFIED)				EC NO: 652958		2021/01/12		MINI50 12-24CKT SMT HDR SALES DRAWING			
ANGULAR TOL ± 1.0°				DRWN: SRUSS		2021/01/13					
4 PLACES ±				CHK'D: KHEWITT		2021/01/13		PRODUCT CUSTOMER DRAWING			
3 PLACES ±				APPR: JDUNAJ		2021/01/13					
2 PLACES ± 0.1				INITIAL REVISION:				DOCUMENT NUMBER			
1 PLACE ± 0.2				DRWN: SMAHESHBABU		2017/03/20					
0 PLACES ±				APPR: KHEWITT		2017/06/21					
DRAFT WHERE APPLICABLE MUST REMAIN WITHIN DIMENSIONS				THIRD ANGLE PROJECTION		DRAWING		SERIES		MATERIAL NUMBER	
				D-SIZE		34897		CUSTOMER		GENERAL MARKET	
								SHEET NUMBER		3 OF 5	

### 16 CKT PCB LAYOUT

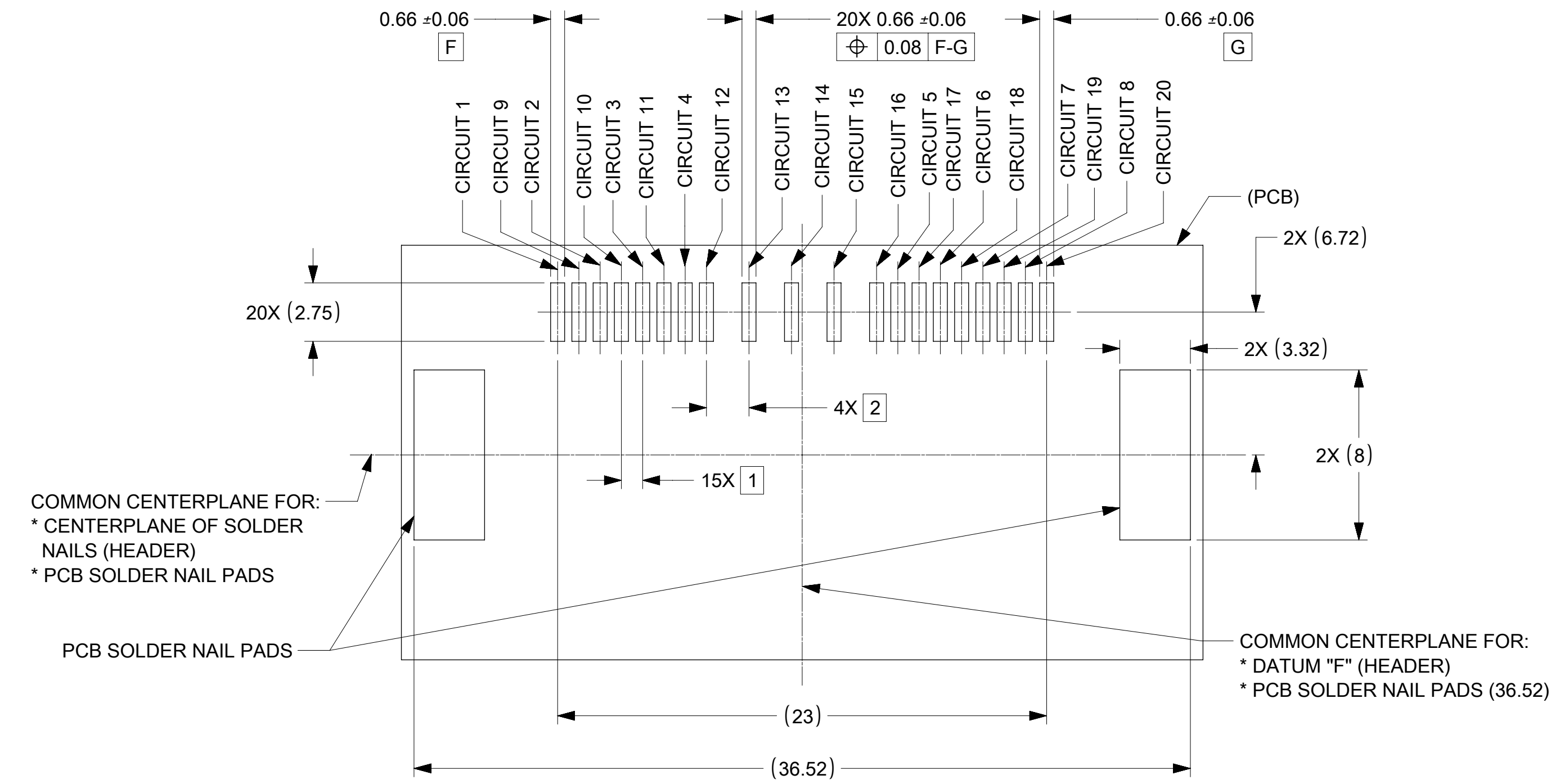


### RECOMMENDED PCB LAYOUT:

### 24 CKT PCB LAYOUT



### 20 CKT PCB LAYOUT



THIS DRAWING CONTAINS INFORMATION THAT IS PROPRIETARY TO MOLEX ELECTRONIC TECHNOLOGIES, LLC AND SHOULD NOT BE USED WITHOUT WRITTEN PERMISSION									
DIMENSION UNITS		SCALE		CURRENT REV DESC:					
mm		5:1							
GENERAL TOLERANCES (UNLESS SPECIFIED)									
ANGULAR TOL ± 1.0°									
4 PLACES ±				EC NO: 652958					
3 PLACES ±				DRWN: SRUSS 2021/01/12					
2 PLACES ± 0.1				CHK'D: KHEWITT 2021/01/13					
1 PLACE ± 0.2				APPR: JDUNAJ 2021/01/13					
0 PLACES ±				INITIAL REVISION:					
				DRWN: SMAHESHBABU 2017/03/20					
				APPR: KHEWITT 2017/06/21					
DRAFT WHERE APPLICABLE MUST REMAIN WITHIN DIMENSIONS		THIRD ANGLE PROJECTION		DRAWING		SERIES		MATERIAL NUMBER	
		D-SIZE		34897		GENERAL MARKET		CUSTOMER	
								SHEET NUMBER	
								4 OF 5	

**molex**

MINI50 12-24CKT SMT HDR SALES DRAWING


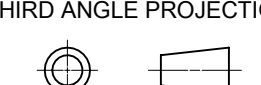
PRODUCT CUSTOMER DRAWING

DOCUMENT NUMBER: SD-34897-001 | DOC TYPE: PSD | DOC PART: 000 | REVISION: W10

# MINI50 SMT DUAL ROW HEADER ASSEMBLIES

CIRCUIT	POL	COLOR	MATERIAL NUMBER		BLADE PLATING	FLAMMABILITY	STATUS	MATING COMPONENT	
			TUBE PACKAGING PK-31301-688	TAPE AND REEL PACKAGING PK-31301-786				UN-BRIDGED	BRIDGED
12	A	BLACK	34897-9120	34897-8120	TIN	HB	AVAILABLE	34824-0124	34824-1124
	B	GRAY	34897-9121	34897-8121	TIN			34824-0125	34824-1125
	C	DARK GRAY	34897-9122	34897-8122	TIN			34824-0126	34824-1126
16	A	BLACK	34897-9160	34897-8160	TIN	HB	AVAILABLE	34824-0164	34824-1164
	B	GRAY	34897-9161	34897-8161	TIN			34824-0165	34824-1165
	C	DARK GRAY	34897-9162	34897-8162	TIN			34824-0166	34824-1166
20	A	BLACK	34897-9200	34897-8200	TIN	HB	AVAILABLE	34824-0204	34824-1204
	B	GRAY	34897-9201	34897-8201	TIN			34824-0205	34824-1205
	C	DARK GRAY	34897-9202	34897-8202	TIN			34824-0206	34824-1206
24	A	BLACK	34897-9240	34897-8240	TIN	HB	AVAILABLE	34824-0244	34824-1244
	B	GRAY	34897-9241	34897-8241	TIN			34824-0245	34824-1245
	C	DARK GRAY	34897-9242	34897-8242	TIN			34824-0246	34824-1246
12	A	BLACK	215423-9120	215423-8120	TIN	V0	INQUIRE FOR AVAILABILITY	34824-0124	34824-1124
	B	GRAY	215423-9121	215423-8121	TIN			34824-0125	34824-1125
	C	DARK GRAY	215423-9122	215423-8122	TIN			34824-0126	34824-1126
16	A	BLACK	215423-9160	215423-8160	TIN	V0	INQUIRE FOR AVAILABILITY	34824-0164	34824-1164
	B	GRAY	215423-9161	215423-8161	TIN			34824-0165	34824-1165
	C	DARK GRAY	215423-9162	215423-8162	TIN			34824-0166	34824-1166
20	A	BLACK	215423-9200	215423-8200	TIN	V0	INQUIRE FOR AVAILABILITY	34824-0204	34824-1204
	B	GRAY	215423-9201	215423-8201	TIN			34824-0205	34824-1205
	C	DARK GRAY	215423-9202	215423-8202	TIN			34824-0206	34824-1206
24	A	BLACK	215423-9240	215423-8240	TIN	V0	INQUIRE FOR AVAILABILITY	34824-0244	34824-1244
	B	GRAY	215423-9241	215423-8241	TIN			34824-0245	34824-1245
	C	DARK GRAY	215423-9242	215423-8242	TIN			34824-0246	34824-1246
12	A	BLACK	34897-5120	34897-6120	GOLD	HB	AVAILABLE	34824-0124	34824-1124
	B	GRAY	34897-5121	34897-6121	GOLD			34824-0125	34824-1125
	C	DARK GRAY	34897-5122	34897-6122	GOLD			34824-0126	34824-1126
16	A	BLACK	34897-5160	34897-6160	GOLD	HB	AVAILABLE	34824-0164	34824-1164
	B	GRAY	34897-5161	34897-6161	GOLD			34824-0165	34824-1165
	C	DARK GRAY	34897-5162	34897-6162	GOLD			34824-0166	34824-1166
20	A	BLACK	34897-5200	34897-6200	GOLD	HB	AVAILABLE	34824-0204	34824-1204
	B	GRAY	34897-5201	34897-6201	GOLD			34824-0205	34824-1205
	C	DARK GRAY	34897-5202	34897-6202	GOLD			34824-0206	34824-1206
24	A	BLACK	34897-5240	34897-6240	GOLD	HB	AVAILABLE	34824-0244	34824-1244
	B	GRAY	34897-5241	34897-6241	GOLD			34824-0245	34824-1245
	C	DARK GRAY	34897-5242	34897-6242	GOLD			34824-0246	34824-1246
12	A	BLACK	215423-5120	215423-6120	GOLD	V0	INQUIRE FOR AVAILABILITY	34824-0124	34824-1124
	B	GRAY	215423-5121	215423-6121	GOLD			34824-0125	34824-1125
	C	DARK GRAY	215423-5122	215423-6122	GOLD			34824-0126	34824-1126
16	A	BLACK	215423-5160	215423-6160	GOLD	V0	INQUIRE FOR AVAILABILITY	34824-0164	34824-1164
	B	GRAY	215423-5161	215423-6161	GOLD			34824-0165	34824-1165
	C	DARK GRAY	215423-5162	215423-6162	GOLD			34824-0166	34824-1166
20	A	BLACK	215423-5200	215423-6200	GOLD	V0	INQUIRE FOR AVAILABILITY	34824-0204	34824-1204
	B	GRAY	215423-5201	215423-6201	GOLD			34824-0205	34824-1205
	C	DARK GRAY	215423-5202	215423-6202	GOLD			34824-0206	34824-1206
24	A	BLACK	215423-5240	215423-6240	GOLD	V0	INQUIRE FOR AVAILABILITY	34824-0244	34824-1244
	B	GRAY	215423-5241	215423-6241	GOLD			34824-0245	34824-1245
	C	DARK GRAY	215423-5242	215423-6242	GOLD			34824-0246	34824-1246

THIS DRAWING CONTAINS INFORMATION THAT IS PROPRIETARY TO MOLEX ELECTRONIC TECHNOLOGIES, LLC AND SHOULD NOT BE USED WITHOUT WRITTEN PERMISSION

DIMENSION UNITS	SCALE	CURRENT REV DESC:	
mm	1:1		
GENERAL TOLERANCES (UNLESS SPECIFIED)		 MINI50 12-24CKT SMT HDR SALES DRAWING PRODUCT CUSTOMER DRAWING	
ANGULAR TOL	± 1.0°		
4 PLACES	±		
3 PLACES	±		
2 PLACES	± 0.1	EC NO: 652958	2021/01/12
1 PLACE	± 0.2	DRWN: SRUSS	2021/01/13
0 PLACES	±	CHK'D: KHEWITT	2021/01/13
DRAFT WHERE APPLICABLE MUST REMAIN WITHIN DIMENSIONS		APPR: JDUNAJ	2021/01/13
THIRD ANGLE PROJECTION		INITIAL REVISION:	DOCUMENT NUMBER
		DRWN: SMAHESHBABU	SD-34897-001
D-SIZE		APPR: KHEWITT	DOC TYPE
SERIES		2017/03/20	PSD
MATERIAL NUMBER		2017/06/21	000
CUSTOMER			W10
SHEET NUMBER			5 OF 5