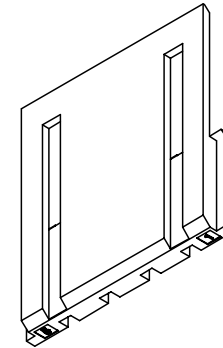
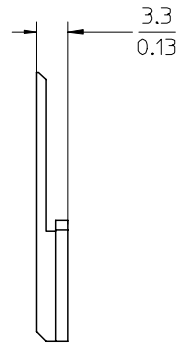
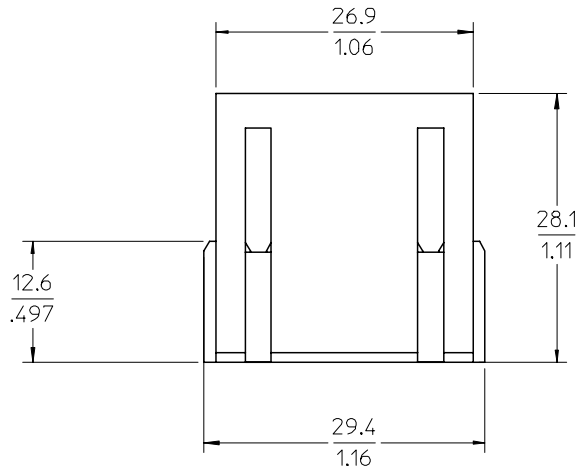


NOTES:

1. MATERIALS: UNFILLED, PBT 94V-0, COLOR: BLACK.
2. LOCK IS DESIGN TO SECURE MOLEX BLADE: 46262 SERIES.
3. LOCK IS USED WITH PLUG HOUSING P/N: 46394-0001, ORDER SEPARATELY.
4. PART IS RoHS COMPLIANT.
5. PACKAGED PER PK-46395-XXX.



REV DOCUMENT NO. EC NO: UCP2008-0630 DRW: JUILLES 2007/09/24 CHKD: 2007/10/02 APPR: JCOMERCI 2007/10/03	QUALITY SYMBOLS DESCRIPTION	GENERAL TOLERANCES (UNLESS SPECIFIED)		DIMENSION STYLE MM/IN	SCALE 2:1	DESIGN UNITS METRIC	THIRD ANGLE PROJECTION	
		4 PLACES ± --- ± ---	DRAWN BY BKOSTIC	DATE 2006/11/07	TITLE TERMINAL LOCK 5 POSITION CONNECTOR			
		3 PLACES ± --- ± .010	CHECKED BY	DATE				
		2 PLACES ± 0.25 ± .010	APPROVED BY		DATE	MOLEX INCORPORATED		
1 PLACE ± 0.25 ± ---	ANGULAR ±1/2°		MATERIAL NO. 46395-0001	DOCUMENT NO. (A1) SD-46395-001	SHEET NO. 1 OF 1			
A1	REV	DRAFT WHERE APPLICABLE MUST REMAIN WITHIN DIMENSIONS		SIZE B	THIS DRAWING CONTAINS INFORMATION THAT IS PROPRIETARY TO MOLEX INCORPORATED AND SHOULD NOT BE USED WITHOUT WRITTEN PERMISSION			