

推奨基板寸法  
RECOMMENDED P.C.B. PATTERN LAYOUT

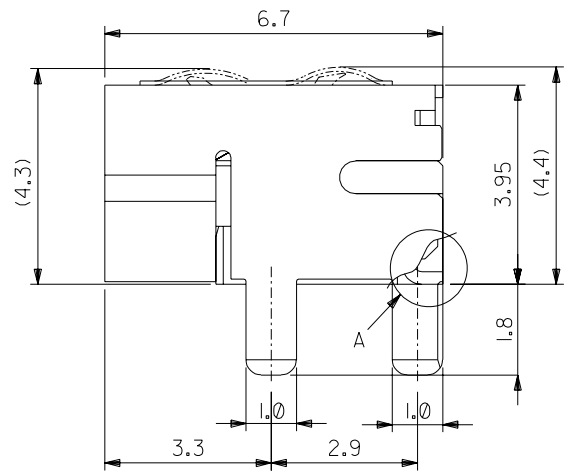
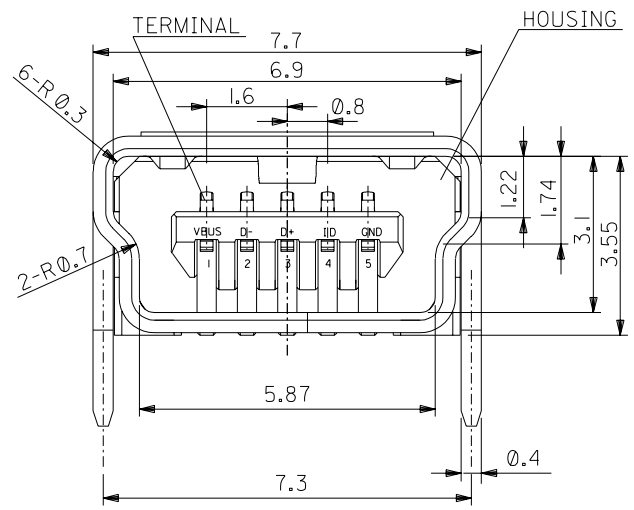
注記 1. 材質  
NOTES MATERIAL

ハウジング: 耐熱樹脂 ガラス充填, 黒色, UL 94V-0  
 HOUSING: HEAT RESISTANT PLASTIC, GLASS FILLED, BLACK, UL94V-0  
 ターミナル: 銅合金 (t=0.25)  
 TERMINAL: COPPER ALLOY (t=0.25)  
 シールド ケース: 銅合金 (t=0.4)  
 SHIELD CASE: COPPER ALLOY (t=0.4)  
 カバー テープ: ポリイミド (t=0.08)  
 COVER TAPE: POLYIMIDE (t=0.08)

2. メッキ仕様  
PLATING

ターミナル  
TERMINAL  
 接点部: 金メッキ  
 CONTACT AREA: GOLD  
 半田付け部: 錫メッキ  
 SOLDER TAIL AREA: TIN  
 下地部: ニッケルメッキ  
 UNDER PLATING: NICKEL  
 シールド ケース: 錫メッキ  
 SHIELD CASE: TIN  
 下地部: ニッケル  
 UNDER PLATING: NICKEL

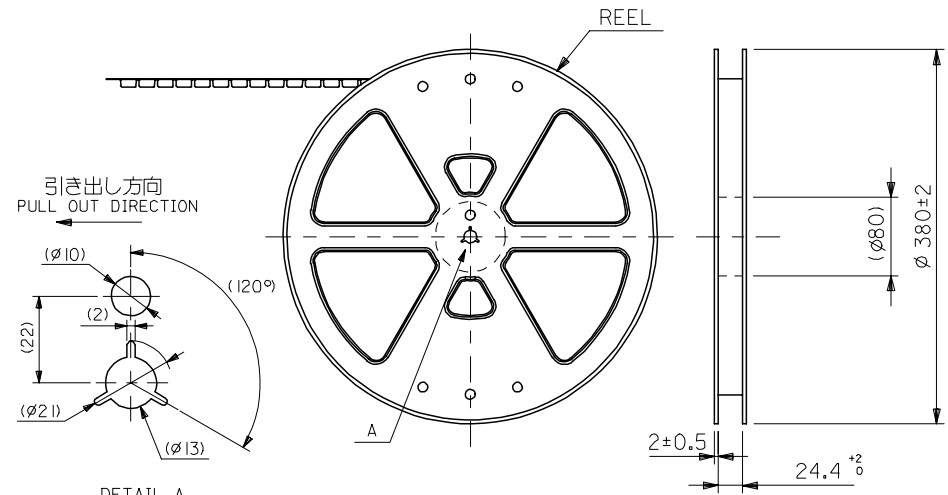
3. テール平坦度は 0.1mm MAX.  
 TAIL COPLANARITY 0.1mm MAX.  
 4. この製品は 51387-0521 の鉛フリー品です。  
 THIS PRODUCT IS 'LEAD FREE' OF 51387-0521



DO NOT SCALE DRAWING

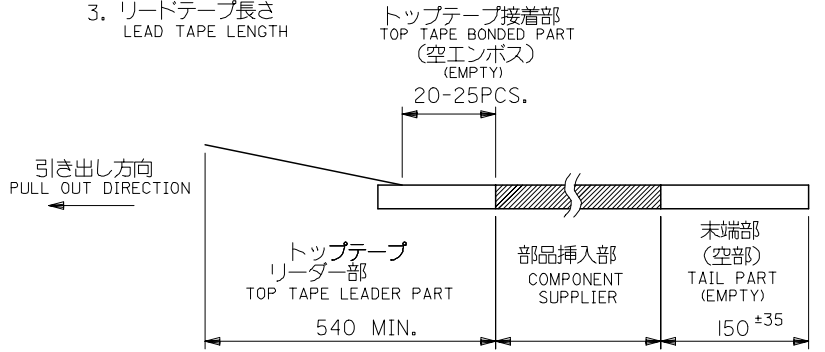
EC NO. DRWN: CHK: APPR:	EC NO. DRWN: CHK: APPR:	EC NO. DRWN: CHK: APPR:	REVISED	RELEASED	MATERIAL 材料	GENERAL TOLERANCES: (UNLESS SPECIFIED) 一般公差	SCALE 10 - 1	DESIGN UNITS mm INCH	THIRD ANGLE PROJECTION	DIMENSIONS: mm INCH mm INCH	SHT	REV
			ECNO. J2004-2497 DRWN: A.IDA '04/02/18 CHK: H.TAKASE APPR: MIYAZAWA/YO.ITO	ECNO. J2004-1896 DRWN: A.IDA '04/01/14 CHK: H.TAKASE APPR: MIYAZAWA/YO.ITO								
A	0		DESCRIPTION	FINISH 仕上げ	SEE NOTES	10 OVER 30 UNDER 以上 未満	±0.25	CHECKED BY & DATE R. Takase '04/01/14	-LEAD FREE-			
			WIRE RANGE 適用線径範囲	— #	ANGLE 角度	±3°	APPROVED BY & DATE Y. Ito '04/01/14	MOLEX MOLEX INCORPORATED				
			INS. RANGE 被覆外径	— #		CAD FILENAME SD-51387-003.S01	MATERIAL NO. 51387-0571	DRAWING NO. SD-51387-003	SHEET NO. 1 OF 1	THIS DRAWING CONTAINS INFORMATION THAT IS PROPRIETARY TO MOLEX INCORPORATED AND SHOULD NOT BE USED WITHOUT WRITTEN PERMISSION.		

10 9 8 7 6 5 4 3 2 1



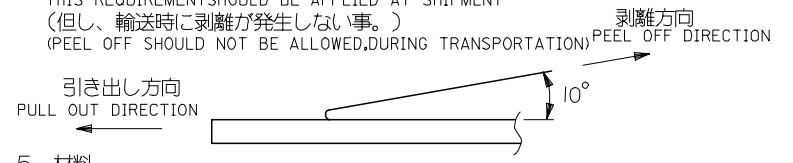
NOTES

- 製品詳細寸法は製品単体図面を参照して下さい。  
For detail of connector dimensions, please see the drawing of connector itself (not packaged).
- 梱包数量: 1000 個/リール  
NUMBER OF CONNECTORS: 1000 PCS/REEL
- リードテープ長さ  
LEAD TAPE LENGTH

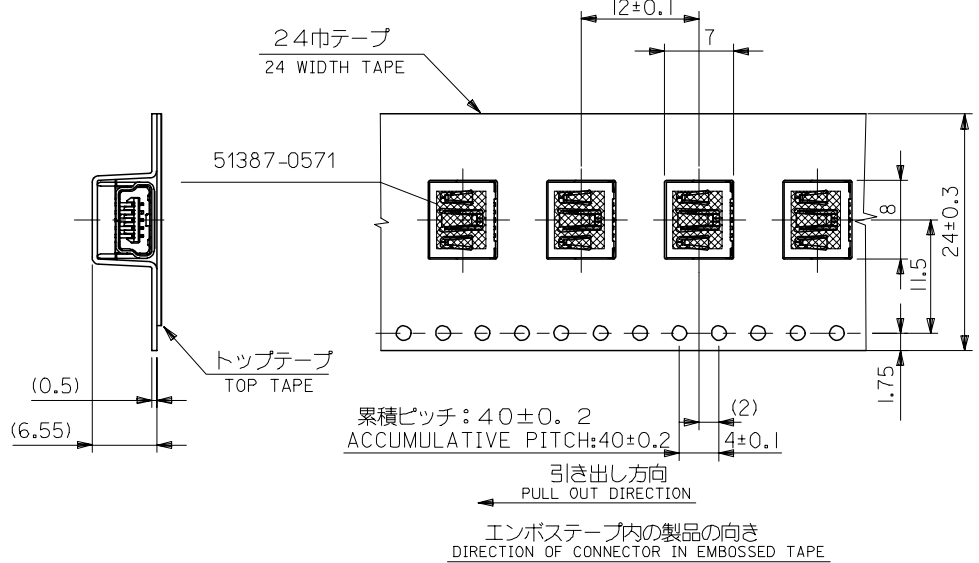


- トップテープの剥離強度: 0.1 ~ 1.3 N (10 ~ 130gf)  
(剥離方向は下図参照) キャリアテープ幅: 2.4mm  
PEEL-OFF FORCE OF TOP TAPE: 0.1~1.3 N (10~130gf)  
(PEELING DIRECTION AS SHOWN IN FOLLOWING FIG.)  
CARRIER TAPE WIDTH

尚、本規格値は、出荷時に適用。  
(但し、輸送時に剥離が発生しない事。)  
(PEEL OFF SHOULD NOT BE ALLOWED, DURING TRANSPORTATION)



- 材料  
MATERIAL  
キャリアテープ: ポリプロピレン  
CARRIER TAPE: POLYPROPYLENE  
トップテープ: ポリエステル, ポリエチレン  
TOP TAPE: POLYESTER, POLYETHYLENE  
リール: ポリスチレン  
REEL: POLYSTYRENE
- この製品は 51387-0528 の鉛フリー品です。  
THIS PRODUCT IS 'LEAD FREE' OF 51387-0528



エンボステープ内の製品の向き  
DIRECTION OF CONNECTOR IN EMBOSSED TAPE

REVISED EC NO: J2007-3218 DRWN: AOYAGI 2007/05/25 CHKD: TOYODA 2007/05/29 APPR: NUKITA 2007/05/29	GENERAL TOLERANCES (UNLESS SPECIFIED)		DIMENSION STYLE MM ONLY		SCALE 2:1	51387-0578 DESIGN UNITS METRIC	MODEL NO. THIRD ANGLE PROJECTION
	10 UNDER	±0.2	DRAWN BY A. IDA	DATE 2004/01/14	TITLE USB SERIES MINI-B SHORT REC. ASS'Y -LEAD FREE-		
	10 OVER 30 UNDER	±0.25	CHECKED BY N. TAKASE	DATE 2004/01/14	MOLEX INCORPORATED		
	30 OVER	±0.3	APPROVED BY J. MIYAZAWA	DATE 2004/01/14	DOCUMENT NO. SD-51387-004	SHEET NO. 1 OF 1	
	ANGULAR ±3 °	DRAFT WHERE APPLICABLE MUST REMAIN WITHIN DIMENSIONS		SEE TABLE			
		THIS DRAWING CONTAINS INFORMATION THAT IS PROPRIETARY TO MOLEX INCORPORATED AND SHOULD NOT BE USED WITHOUT WRITTEN PERMISSION					